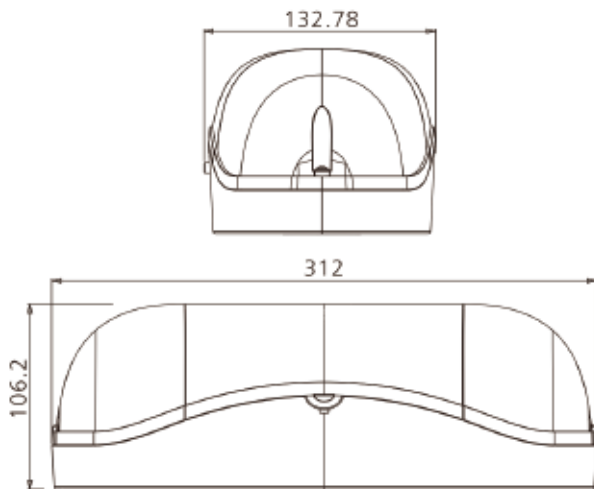


FIXTURE TYPE:
 PROJECT NAME:
 LOCATION:
 DATE:

WET LOCATION EMERGENCY LIGHT



Dimensions



Specification

Size	12"L x 5"H x 4"W
Weight	1 lb
Mounting	Wall Mount
Color Temp	6000K
Luminous	Up to 400lm
Packing Info	6pcs/Box
Input Voltage	120-277V
LED Life Span	50,000 hrs
Input Power	2W
Battery	Nickel Cadmium
Warranty	5 Years
Ambient Operation Temperature	0C° (32°F)~40C°(104°F)

FIXTURE TYPE: _____
 PROJECT NAME: _____
 LOCATION: _____
 DATE: _____

WET LOCATION EMERGENCY LIGHT

Features

- Wet location listed emergency light.
- Poly-carbonate shield.
- Injection-molded thermoplastic ABS housing,UL 94V-0 flame rating.
- Easy quick installation.
- Dual voltage 120 or 277V AC input.
- Built-in long life 3.6V 1000mAh Nickel cadmium battery for minimum 90 minutes emergency operation.
- Adjustable lamp-heads.
- Provide with test switch and AC-ON indicator.

Ordering Guide Example: LEDEMCWL

Fixture Type	Description
LEDEMCWL	Wet location list,White Finish, Dual Head Adjustable Emergency Light, NiCard Battery, UL Listed

Spacing Chart

Mounting Height	Illumination Level	Single Luminaire		Multiple Luminaires		Application Notes
		3' Path of Egress	6' Path of Egress	3' Path of Egress	6' Path of Egress	
7.5'	1FC Avg	13.5'	12.1'	12.5'	12.5'	"100' Corridor 8' wide, and 9' high with 70/50/20 reflectances"
10'	1FC Avg	14.8'	13.5'	14.1'	14.1'	

