

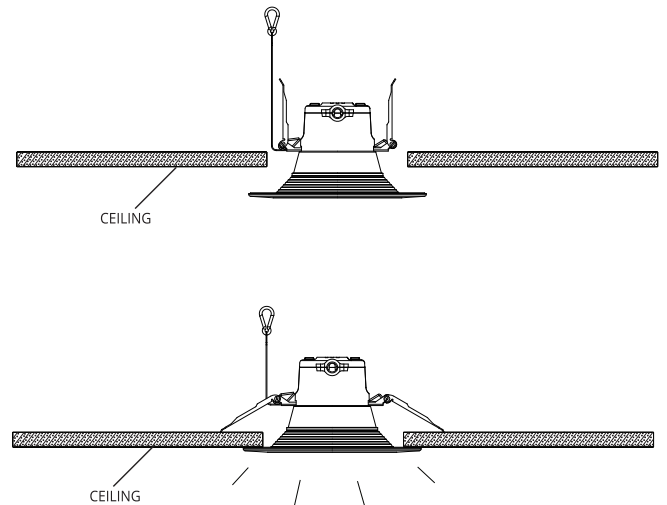
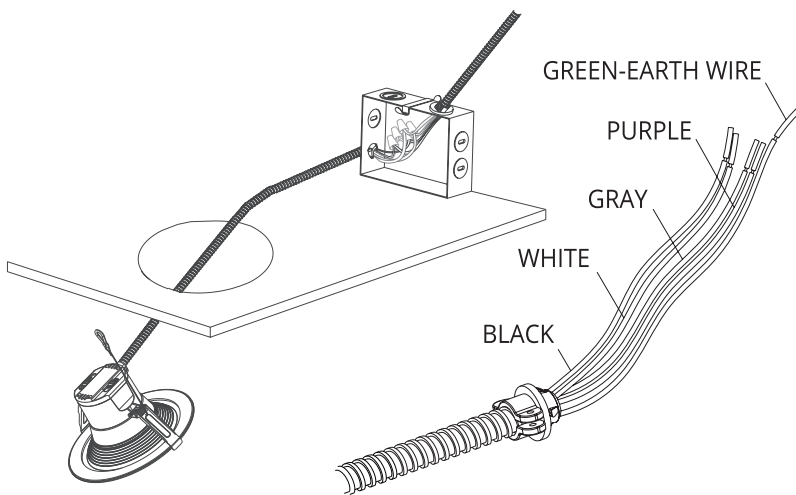
Safety and Notes

- Product should be installed and serviced by a certified electrician in accordance with applicable national, state, and local building and electrical codes.
- To reduce the risk of electric shock, ensure that the main power source and circuit breakers are switched off before performing any installation or wiring procedures. Do not use if wiring or light are damaged.
- Avoid looking directly into lamp when illuminated.
- Connect only to indicated voltage and in an appropriate environment to avoid potential damage or personal injury.
- Ensure all mounts are securely attached and will support the weight of the fixture. Failure to properly support fixture may result in damage or injury, for which the manufacturer does not assume responsibility.
- Do not install luminaire near any heat source.
- Always ensure that power is off and the luminaire has cooled before performing any maintenance, cleaning, or adjustments.

Installation

Note: Thermal radiation space and irradiation distance must be ensured. The space between the fixture and any insulation or backing surface should be no less than 3.94 in. (100 mm).

1. Turn supply power to circuit off.
2. Cut hole in ceiling/panel according to size.
3. Set desired wattage and CCT on light.
4. Connect wiring.
5. Fold back spring clamps and place light securely into cutout hole.
6. Reconnect supply power.



SIZE	HOLE SIZE
4inch	4 21/64" (110mm)
6inch	6 19/64" (160mm)
8inch	8 5/64" (205mm)
10inch	8 31/32" (228mm)

RECOMMENDED DIMMER	
LUTRON	LEGRAND
RMJS-8T-DV-B	
Diva DVSTV	
MS-Z101-WH	RH4FBL3PW
DVSTV-WH	