

LED SPORTS LIGHT

Installation Guide

WARNING

PLEASE READ ALL INSTRUCTIONS BEFORE ATTEMPTING INSTALLATION

- All electrical work must conform to the National Electric Code (NEC) and all applicable local codes and ordinances.
- Only qualified personnel shall install and maintain the luminaires. Mester recommends that a licensed electrician install and maintain the luminaire. Verify the safety of existing power distribution system before beginning installation. Failure to follow Operating Instructions may lead to death, Severe Injury, or Property Damage.
- Fixtures must be grounded and installed in accordance with the National Electrical Code and all local codes. If you are not sure if your power system is grounded, DO NOT install the luminaire. Contact a licensed electrician for information on proper grounding methods as required by the electrical code. FAILURE TO FOLLOW THIS WARNING MAY LEAD TO DEATH, SEVERE INJURY, OR PROPERTY DAMAGE.
- Turn off power and allow to cool before performing any electrical or control work. FAILURE TO FOLLOW THIS WARNING MAY LEAD TO DEATH, SEVERE INJURY, OR PROPERTY DAMAGE.
- DO NOT make or alter any open holes in the luminaire. Do not modify the luminaire.
- Risk of eye injury! Eye protection is required at all times during the installation, operation, and maintenance of the luminaire. The high intensity light produced by the luminaire can cause severe damage to the eye if viewed directly at close range. Avoid being in front of a luminaire that is on or wear suitable light blocking protective eyewear such as welding goggles. The luminaire should be positioned so that prolonged staring into the luminaire at a distance closer than 10m is not expected.
- NEVER point the aiming laser at any person or animal as it can cause permanent damage to eyes. Use laser only for aiming fixtures as directed.
- CAUTION - RISK OF FIRE.
- This product is not available for several special environments, such as places with corrosive gas liquids or high pressure water vapor.
- This luminaire is designed to operate in ambient temperatures ranging from -40°C to 55°C (-40°F to 131°F) .

CAUTION WHEN USING THE LASER AIMING ASSEMBLY

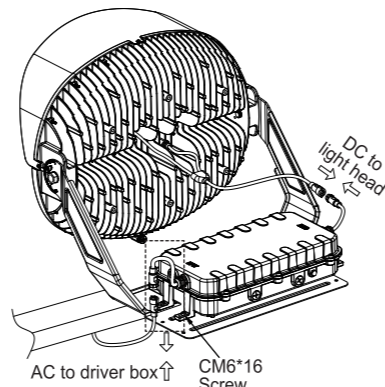
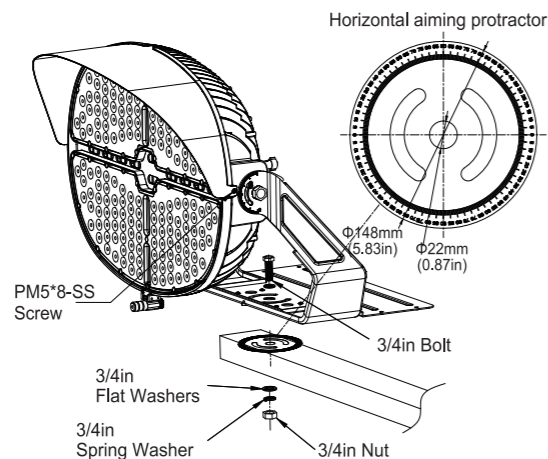
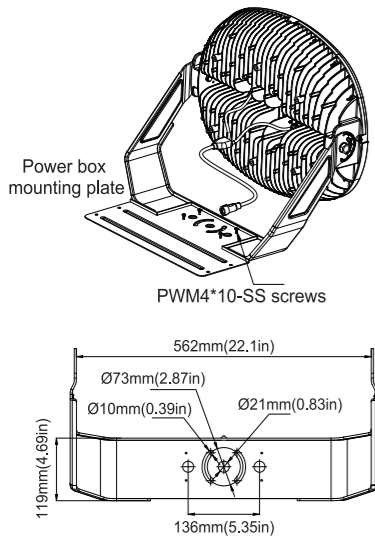
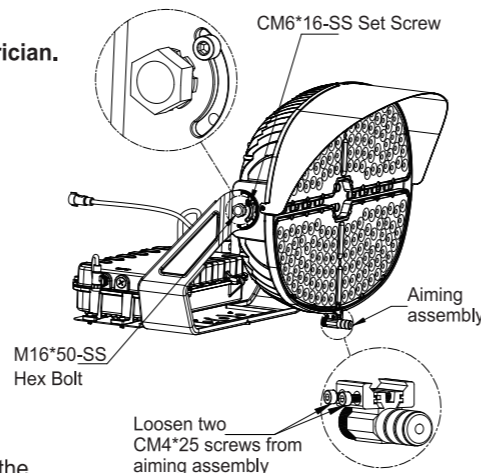


Never look directly into the laser beam.

Power box attached(optional)

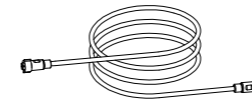
Note: Installation and service of luminaires should be performed by a qualified licensed electrician.

- Set power box mounting plate and securely fasten the power box mounting plate with 4pcs PWM4*10 screws (30-45 in-lbf (3.5 to 5 N-m)).
- Align the center hole of the horizontal aiming protractor and the mounting bracket and attach the horizontal aiming protractor to the bracket.
- Secure visor on fixture with three PM5*8-SS screws (30-45 in-lbf (3.5 to 5 N-m)).
- Loosen two CM4*25 screws from aiming assembly; attach the aiming assembly in the keyhole slots and tighten two screws (30-45 in-lbf (3.5 to 5 N-m)).
- Drill appropriate knockout according to the size of the mounting bracket.
- Set fixture in place and install 3/4in bolt, flat washers, spring washer and nut to securely fasten the fixture mounting bracket to the mounting structure(35-45 ft-lbf(47 to 60 N-m)). Do not fully tighten the hardware until the fixture is aiming, just make sure the fixture is secure.
- Set the power box fixing to the plate with 4pcs CM6*16 screws and observing proper voltage and polarity, complete the wiring according to the wiring diagram with the water proof terminal, tighten the screw, make sure it on a good water proof condition (30-45 in-lbf (3.5 to 5 N-m)).
- Slightly loosen the fixture aiming screws just enough to allow the fixture to rotate and tilt. Use horizontal aiming protractor and aiming sights to locate fixtures depending on different lighting needs.
- After aiming is complete, tighten all bolts and screws including M16*50-SS hex bolt (26-33 ft-lbf (35 to 45 N-m)) and CM6*16-SS set screw (35-75 in-lbs (4-8 N-m)) on side of fixture and mounting hardware.

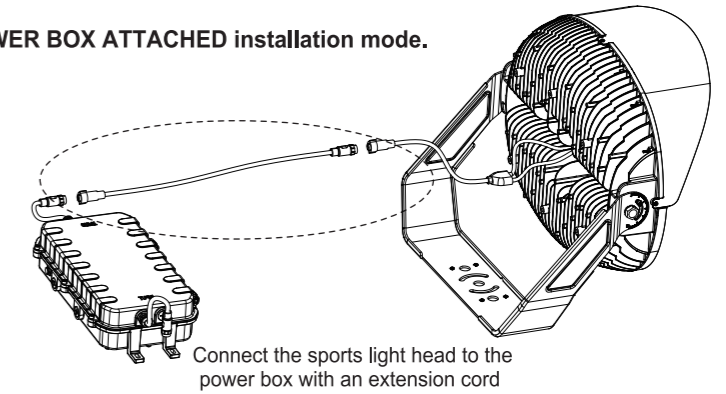


Remote power box(optional)

Note: LED fixtures installation can be referred to POWER BOX ATTACHED installation mode.

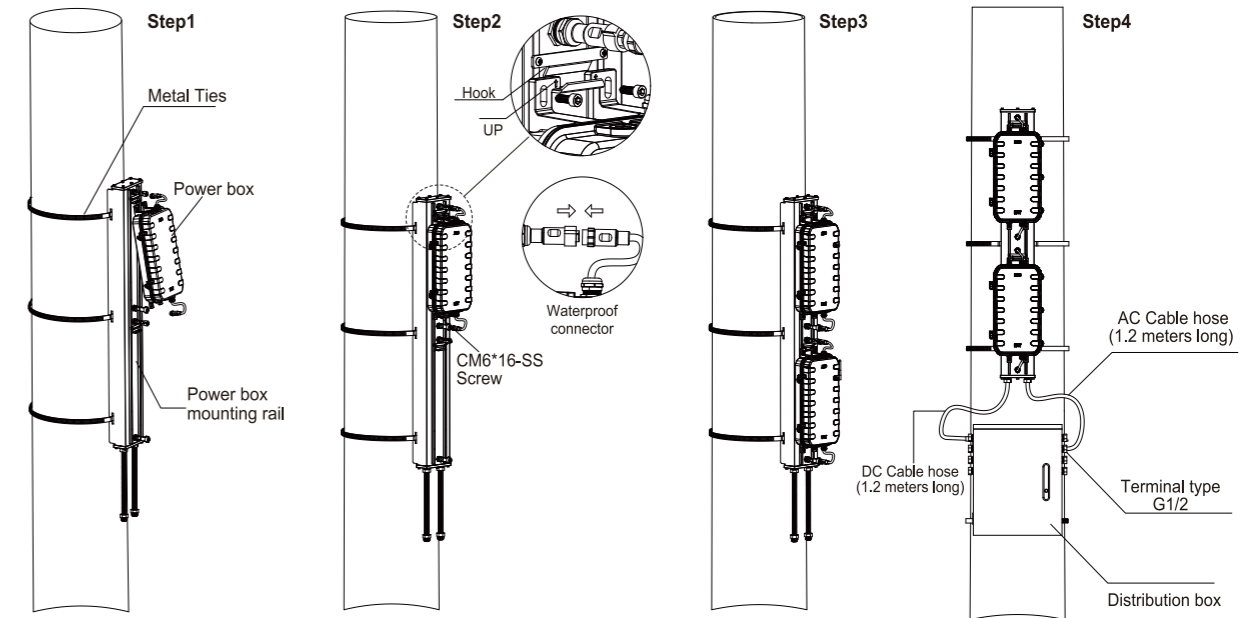


Note: The maximum cord length 50m or 164ft (sold separately)



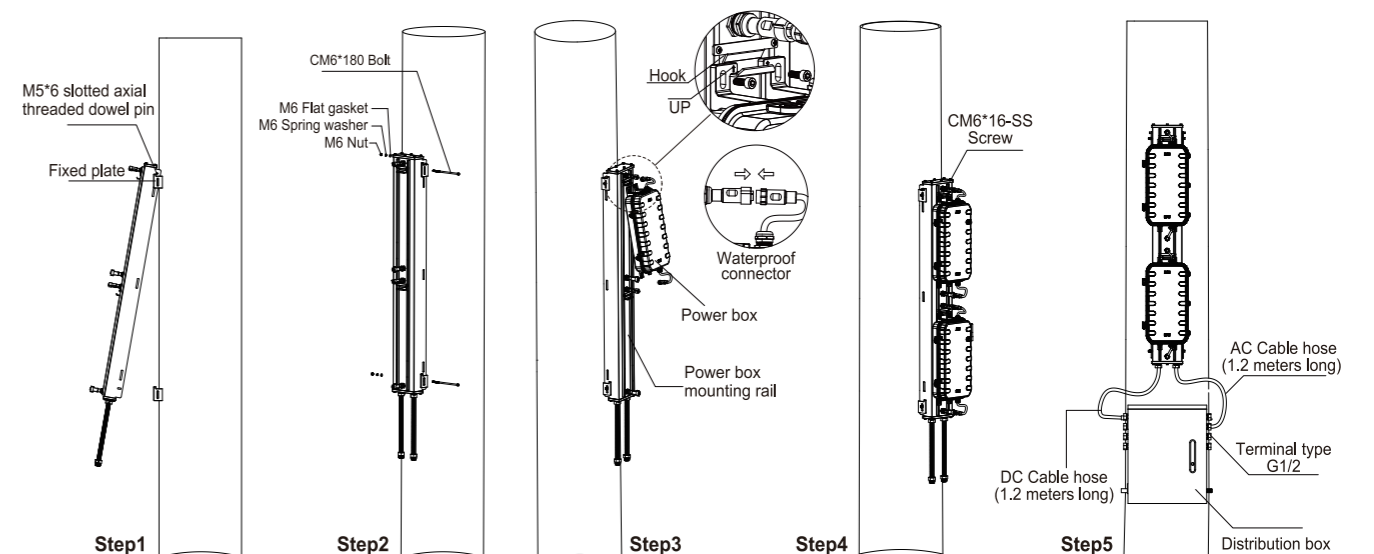
Mounting A

- Secure the power box mounting rail to the light pole through 3 metal cable ties (sold separately or supplied by others)
- Hang the power box on the hook on the mounting rail (note that the arrow direction is facing up), then lock the screws, and then dock the input waterproof connector and the output waterproof connector respectively.
- The power box mounting rail receives AC power up from the Distribution Box and outputs DC that is fed back down into the Distribution Box.
- The power box mounting rail AC and DC cables will be through 1.2m metal hoses and terminals and terminated directly in the Distribution Box.



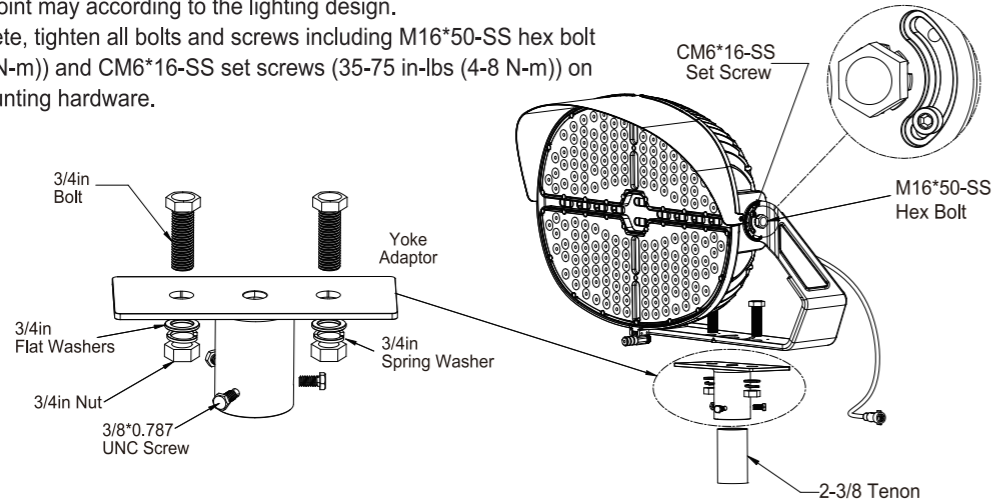
Mounting B

- Hang the power box mounting rail on the fixed plate using 2pcs M5*6 dowel pins.
- Use 2pcs of CM6*180 bolts to tighten the power box mounting rail.
- Hang the power box on the hook on the mounting rail (note that the arrow direction is facing up), then lock the screws, and then dock the input waterproof connector and the output waterproof connector respectively.
- The power box mounting rail receives AC power up from the Distribution Box and outputs DC that is fed back down into the Distribution Box.
- The power box mounting rail AC and DC cables will be through 1.2m metal hoses and terminals and terminated directly in the Distribution Box.



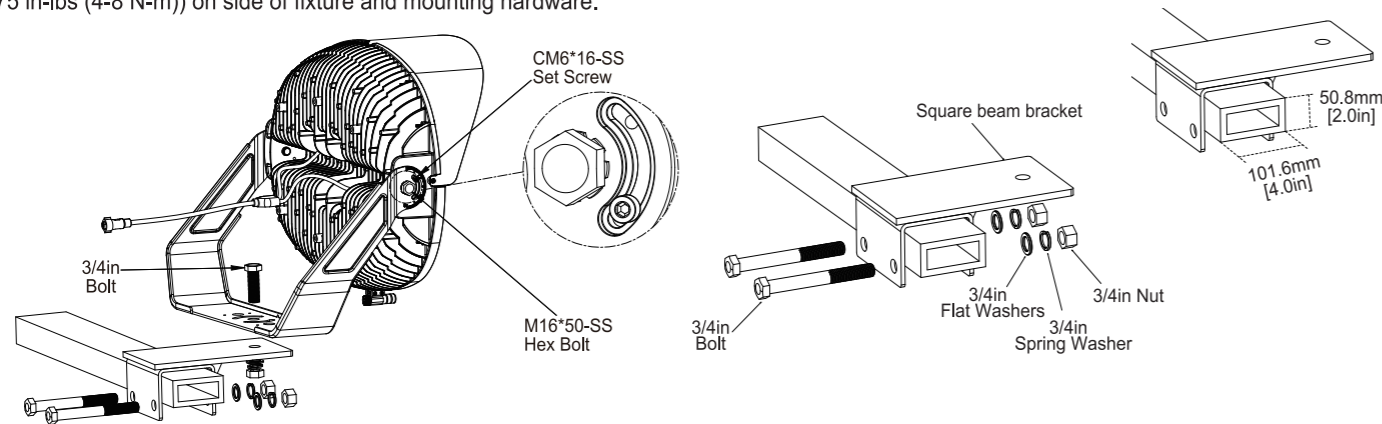
Mounting bracket - With Yoke adaptor(optional)

1. Secure visor on fixture with three PM5*8-SS screws (30-45 in-lbf (3.5 to 5 N-m)).
2. Align the center hole of the horizontal aiming protractor and the mounting bracket and attach the horizontal aiming protractor to the bracket.
3. Loosen two CM4*25 screws from aiming assembly; attach the aiming assembly in the keyhole slots and tighten two screws(30-45 in-lbf (3.5 to 5 N-m)).
4. Secure the yoke adaptor on the mounting bracket with two 3/4in bolts, spring washers and nuts (35-45 ft-lbf(47 to 60 N-m)), then snap the pole into the into the 2-3/8 tenon, and lock it with the three 3/8 x 0.787 screws (10-15 ft-lbf (14 to 18 N-m)). Observing proper voltage and polarity, complete the wiring according to the wiring diagram with the water proof terminal, tighten the screw, make sure it on a good water proof condition.
6. Slightly loosen the fixture aiming screws just enough to allow the fixture to rotate and tilt. Turn on the laser and using aiming assembly to aim the fixture to the proper point may according to the lighting design.
7. After aiming is complete, tighten all bolts and screws including M16*50-SS hex bolt (26-33 ft-lbf (35 to 45 N-m)) and CM6*16-SS set screws (35-75 in-lbs (4-8 N-m)) on side of fixture and mounting hardware.



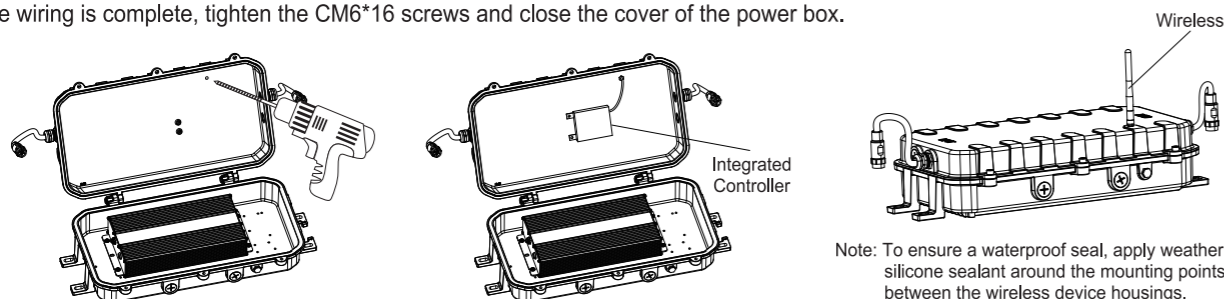
Mounting bracket - With Square Beam(optional)

1. Align the center hole of the horizontal aiming protractor and the mounting bracket and attach the horizontal aiming protractor to the bracket.
2. Loosen two CM4*25 screws from aiming assembly; attach the aiming assembly in the keyhole slots and tighten two screws (30-45 in-lbf (3.5 to 5 N-m)).
3. Secure visor on fixture with three PM5*8-SS screws (30-45 in-lbf (3.5 to 5 N-m)).
4. Hold square beam mounting bracket on top of cross arm(supplied by others). Insert both clamping hex bolts through washer, bracket, other side of bracket, lock washer, and hex nut(35-45 ft-lbf(47 to 60 N-m)).
5. Set fixture in place and install bolt, flat washers, spring washer and nut to securely fasten the fixture mounting bracket to the square beam mounting bracket(35-45 ft-lbf(47 to 60 N-m)). Do not fully tighten the hardware until the fixture is aiming, just make sure the fixture is secure.
6. Observing proper voltage and polarity, complete the wiring according to the wiring diagram with the water proof terminal, tighten the screw, make sure it on a good water proof condition.
7. Slightly loosen the fixture aiming screws just enough to allow the fixture to rotate and tilt. Turn on the laser and using aiming assembly to aim the fixture to the proper point may according to the lighting design.
8. After aiming is complete, tighten all bolts and screws including M16*50-SS hex bolt (26-33 ft-lbf (35 to 45 N-m)) and CM6*16-SS set screws (35-75 in-lbs (4-8 N-m)) on side of fixture and mounting hardware.



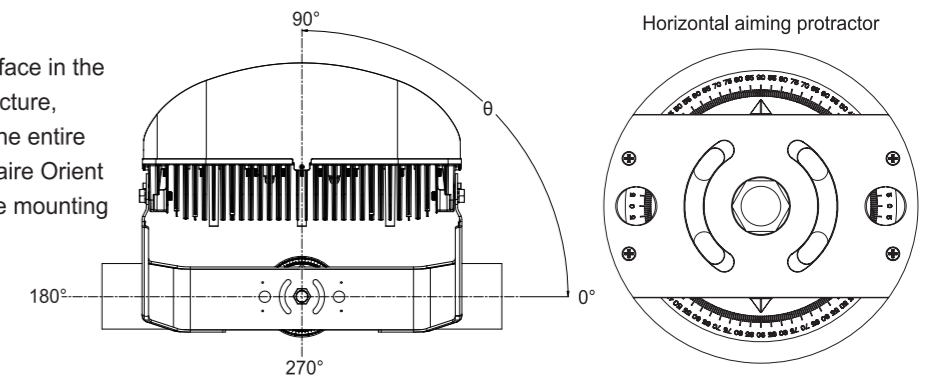
Integrated Controller Installation (Option)

1. Remove the CM6*16 screws, open the cover of the power box, and install the wireless controller at the drilling place, as shown in the figure
2. The wireless controller is fixed on the power box with 3M glue and connected internally.
3. After the wiring is complete, tighten the CM6*16 screws and close the cover of the power box.

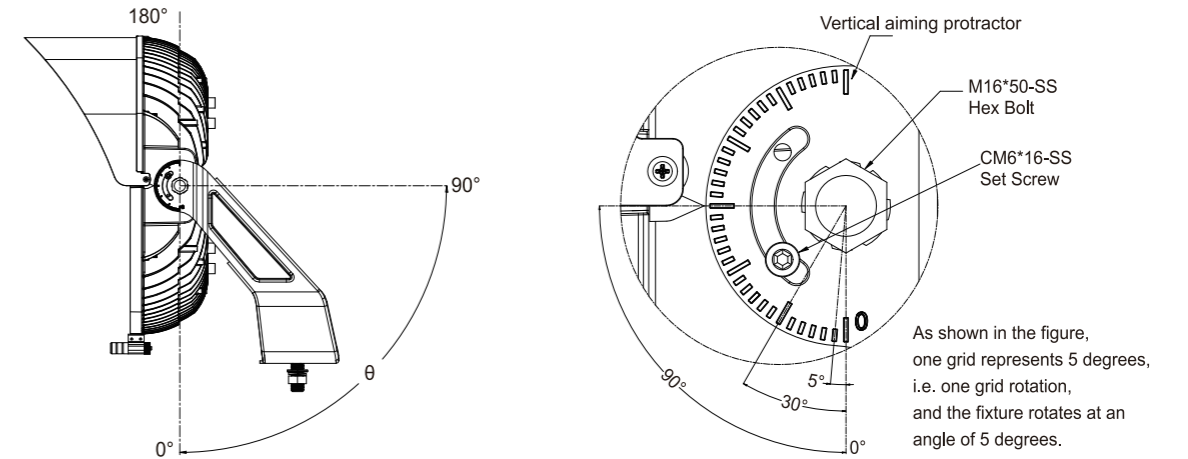


Orient –Tilt

The Orient angle refers to the direction of the fixture face in the Z plane. In other words, mount the fixture on the structure, but keep the mounting nut slightly loosened so that the entire fixture to spin about the mounting bolt. Set the luminaire Orient by rotating the fixture mounting bracket relative to the mounting structure.



Tilt angle refers to the direction in which the fixture faces in the Y plane. When the luminaire is securely mounted on the structure so that the mounting bracket does not move, but the side hexagon and the mounting screw are loosened, the fixture may rotate upward in the mounting bracket. Set the tilt angle of the fixture by rotating the fixture housing relative to the fixture mounting bracket.

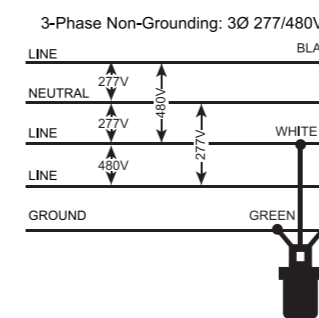


Note:

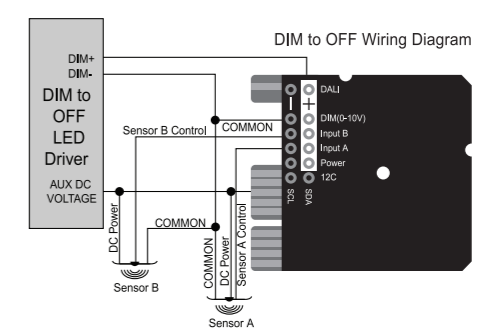
1. For replacement LED Assemblies and Drivers please contact MESTER Lighting for any replacement parts.
2. Contact your local distributor or agent to confirm parts availability prior to ordering replacement parts.

Electrical Connections

Power Wiring Connections



Control Wiring Connections



Accessories List

Diagram	Quantity	Diagram	Quantity
Battery	3 pcs	3/4in Bolt	1 pc
Laser aiming assembly	1 set (Two parts, aiming head and cover)	3/4in Flat Washers	2 pcs
Hexagon key	2 pcs	3/4in Spring Washer	1 pc
PM5*8 screws	3 pcs	3/4in Nut	1 pc
Visor			1 pc
Horizontal aiming protractor			1 pc