



LED FLOOD LIGHT

INSTRUCTION MANUAL

Please read the user manual carefully and follow it. This will help to prevent damage of the product, prolong its lifespan; And it will be helpful for your normal use and maintenance, to ensure that your life safety. Please keep the manual properly.

Part No.	Input Voltage	Frequency	Power	Rated Current
SS-FD08-30/20/15W-H-TX(XX)-Y	AC120-277V	50/60Hz	30/20/15W	0.275A
SS-FD08-50/40/30W-H-TX(XX)-Y			50/40/30W	0.458A
SS-FD08-100/80/60W-H-TX(XX)-Y			100/80/60W	0.917A
SS-FD08-30/20/15W-H-MV-TX(XX)-Y	AC120-347V	50/60Hz	30/20/15W	0.275A
SS-FD08-50/40/30W-H-MV-TX(XX)-Y			50/40/30W	0.458A
SS-FD08-100/80/60W-H-MV-TX(XX)-Y			100/80/60W	0.917A

*TX = TC or TCP, such as 30/40/50 = 3000K, 4000K, 5000K CCT selectable; TC = only adjust color temperature, TCP = adjust color temperature and wattage. *XX can be any characters representing CCT selectable with suffix. *Y can be Photocontrol or blank = no provide sensor.

Safety Instruction

- Read instructions carefully before attempting to install fixture. Retain instruction for future reference.
- Disconnect power before installing or servicing. This fixture must be wired in accordance with the National Electrical Code and applicable local codes and ordinances.
- All wiring should be performed by a qualified electrician. This fixture is for outdoor use and should not be used in areas with limited ventilation or high ambient temperatures.

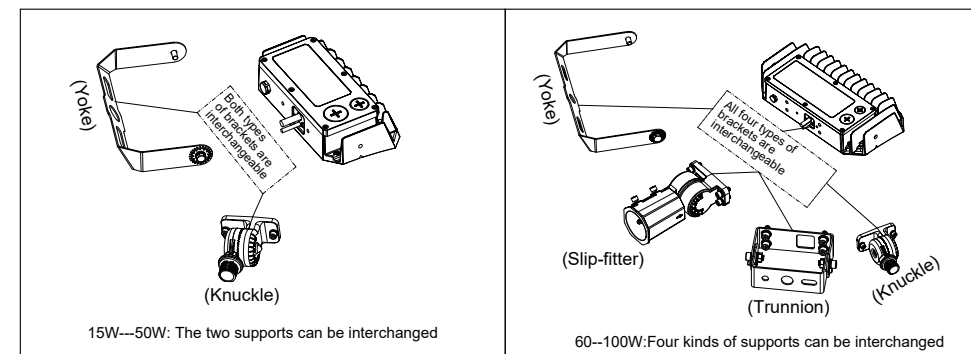
INSTALLATION-Surface Mounting

1. Do not remove any part of the fixture.
2. Specification please see the label on fixture.
3. Keep enough length wires to ensure adjusting angle unhindered.
4. Terminal block to be used shall conform to UL standard; and shall be specified as following:
 - the type of terminal: screw/screwless;
 - number of terminals: 5 poles;
 - fixing method: surface mounting.
5. LED Flood Light must be operated with in an ambient temperature range of -40°C (-40°F) and 45°C (113°F).

Warning

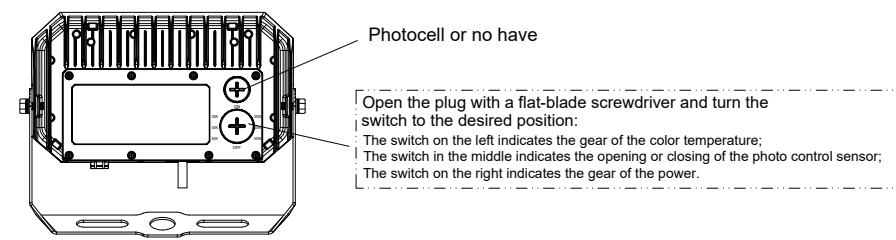
1. Before starting use of the light, please check if the light was damaged during transportation. If any damage shown, please DO NOT install or use it.
2. The products itself and all its components should not be mechanically stressed.
3. Installation must not damage or destroy conducting paths or other parts of the product.
4. Installation of LED product (with power supplies) needs to be made with regard to all applicable electrical and safety standards. Only qualified personnel should be allowed to perform installations.
5. Correct electrical polarity needs to be observed. Wrong polarity may damage or destroy the LED products.
6. All LEDs are static sensitive. Precautions should be taken to ensure that LEDs are well protected from ESD during handling, even though the chips are safe in low static-electric discharge events.
7. DO NOT operate LEDs in reverse bias.
8. Damaged by corrosion will not be honored as a materials defect claim. It is the user's responsibility to provide suitable protection against corrosive agents or other harmful elements.
9. Electrical connection should be in a dry area unless adequately sealed.
10. This product series emits high light output. DO NOT look directly into the light emitting area. Direct exposure to the light over an extended time period may harm eyes.
11. If the external flexible cable or cord of this luminaire is damaged, it shall be exclusively replaced by the manufacturer or his service agent or a similar qualified person in order to avoid a hazard.

Product Description

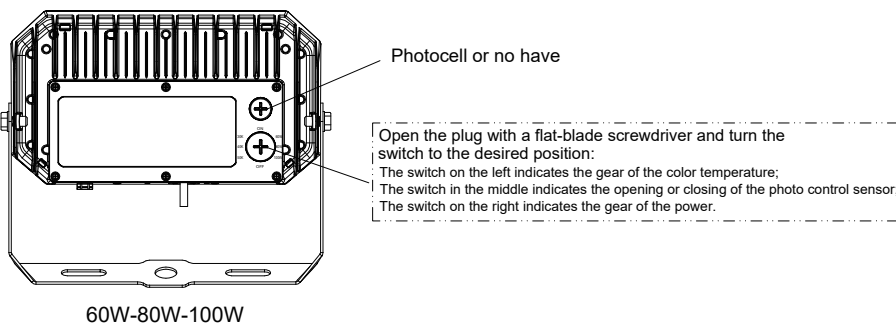


15W--50W: The two supports can be interchanged

60--100W: Four kinds of supports can be interchanged

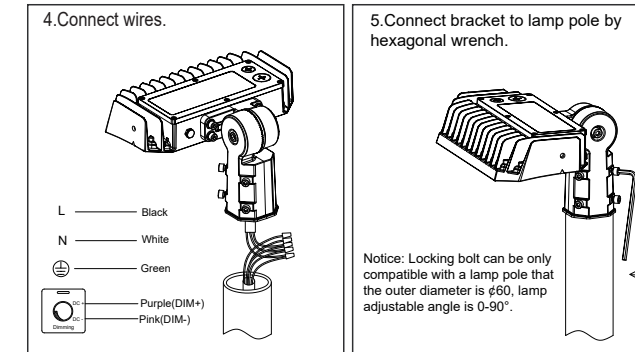
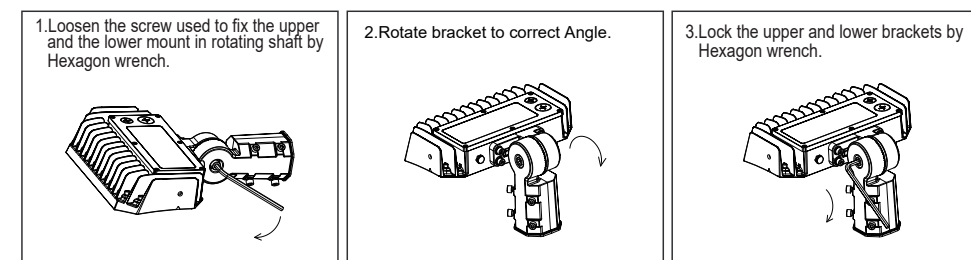


15W-20W-30W or 30W-40W-50W

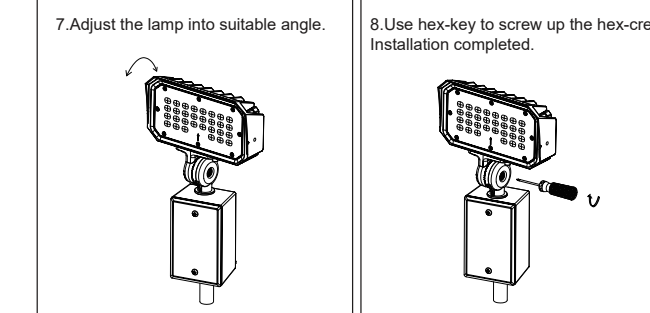
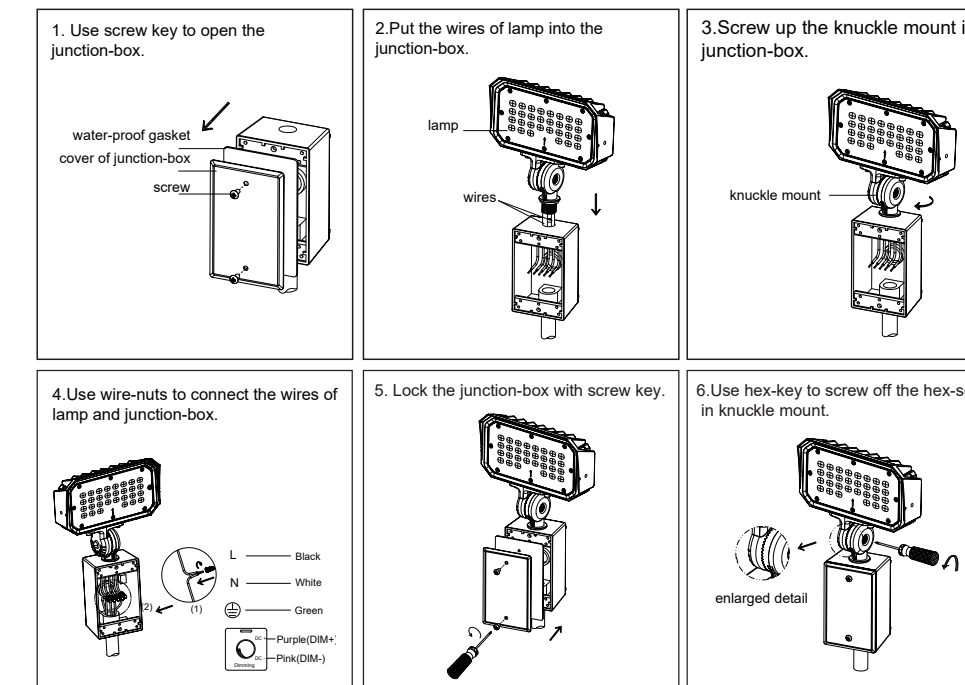


60W-80W-100W

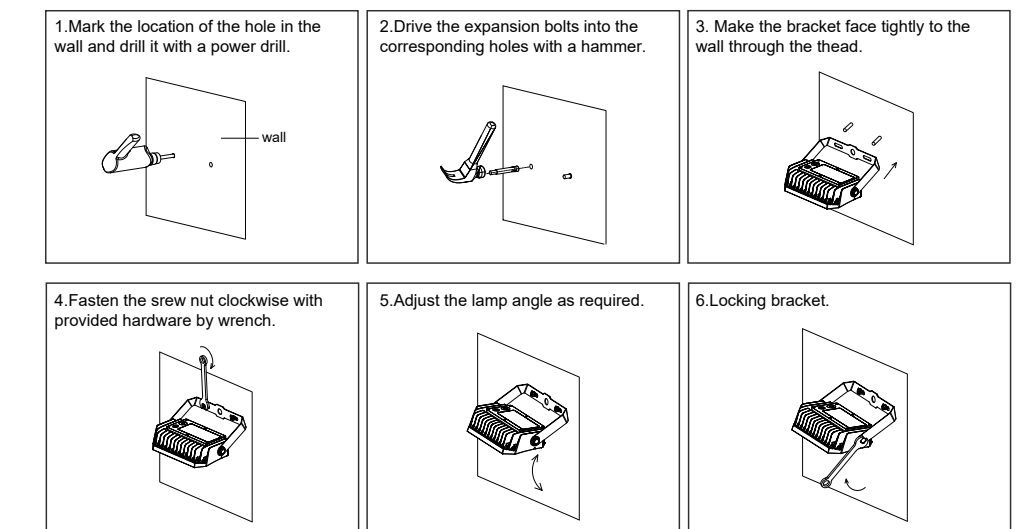
Installation Instruction (Slip-fitter)



Installation Instruction (Knuckle)



Installation Instruction (Yoke)



Installation Instruction (Trunion)

