

# LEDEXTCMBRC-R/G Series

Bi Color Red/Green LED Exit Sign - Remote Head Capable

<b>Fixture Type:</b>
<b>Project Name</b>
<b>Location:</b>
<b>Date:</b>

## Features

- Bi color Red /Green LED, capable with remote head
- injection-molded thermoplastic ABS housing, UL 94V-0 flame rating
- Letters 6" height with 3/4" stroke. Optional RED letters
- Single or double face(Universal).
- Removable directional indicators
- Universal J-box mounting pattern
- 120V-277VAC Universal voltage operation
- 2X1W SMT LED lamp heads for emergency mode
- Built-in 3.6V 2000mAh Nickel cadmium battery for minimum 90 minutes emergency operation.
- Maximum 24 hours for full recharge time
- Test switch and charge indicator
- UL and cULus listed



## Product Performance Standard

<b>Size</b>	7.2 in x 11 in x 16.5in	<b>Voltage</b>	120/277 Vac
<b>Weight</b>	2 lb	<b>Life Span</b>	50,000 Hrs
<b>Mounting</b>	Wall	<b>Input Power</b>	2W
<b>Color Temp</b>	6000K	<b>Battery</b>	Nickel Cadmium
<b>Luminous</b>	240lm	<b>Warranty</b>	5 Years
<b>Packing Info</b>	6pcs/Box	<b>Ambient Operation Temperature</b>	0C° (32°F) ~40C° (104°F)

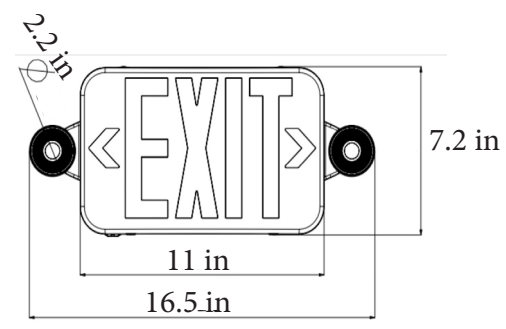


EMC-RHWP2-JL



EMC-RHWP1-JL

## Dimensions



## Ordering Guide

Example: LEDEXTCMBRC-R/G -

### Exit Combo Light:

Fixture Type	Description
LEDEXTCMBRC-R/G	Bi color red/green exit combo, dual head adjustable ,compatible with remote head,UL list
Remote Head:	Description
EMCRHWP2-JL	Outdoor double remote lamp head, 1W x 2 ultra bright white LED lamp head
EMCRHWP1-JL	Outdoor single remote lamp head, 1W x 2 ultra bright white LED lamp head

# LEDEXTCMBRC-R/G Series

Bi Color Red/Green LED Exit Sign - Remote Head Compatible

<b>Fixture Type:</b>
<b>Project Name</b>
<b>Location:</b>
<b>Date:</b>

## Remote Head - EMC-RHWP1-JL/EMC-RHWP2-JL

- LED Indoor/outdoor double remote lamp head
- Injection-molded thermoplastic ABS housing,UL 94V-0 flame rating.
- 3.6V/9.6,1.2W\*2 ultra bright white LED lamps available
- The remote capable emergency light is designed to operate with remote capable LED combos and Emergency lights,a "remote head" is a stand-alone lamp with no internal power supply,it provides an efficient means of providing additional lighting



EMC-RHWP1-JL



EMC-RHWP2-JL

### Dimensions

