

UFL2L Series

LED FLOOD LIGHT WATTAGE SELECTABLE & 3CCT

Fixture Type:

Project Name

Location:

Date:

Features

- Premium durable High-Quality LED Flood Light, engineered to provide unparalleled performance and reliability.
- Built with high-grade aluminum for enhanced durability and protection against external elements.
- Efficient heat dissipation ensures optimal performance and longevity of the LED modules.
- Design to deliver a uniform and wide flood 7H X 6V light distribution.
- Featuring wattage selectable and 3CCT color temperature adjustable,allow you to customize the wattage and CCT on-site to suit your specific lighting needs.
- Versatile mounting options included: York mount knuckles mount .
- Premium powder coat dark bronze finish provides resistance to corrosion and weathering.
- Features an integrated photocell for automatic dusk-to-dawn operation, providing enhanced energy efficiency and convenience. Includes a switch that allows you to turn the photocell sensor on or off as needed.
- The light engines and housing are IP65 rated, and sealed against moisture or environmental contaminants.



Yoke Mount



Knuckle Mount



Specification

Material	Seal die casting aluminum housing	Efficacy	Up to 130 lm/W
Lens	Polycarbonate optical lens	LED Life Span	50,000 hrs
Beam angle	7H*6V	Dimmable	0-10V Dimming
Color Temp	3CCT 3000K/4000K/5000K	Lumen Package	7,500 lm to 13,000 lm
CRI	80	Warranty	5 Years
Input Voltage	120-277V	Ambient Operation Temperature	-40°C (-40°F) ~45°C (113°F)
Installation	Knuckle Yoke	Listing	UL Listed IP 65 DLC PREMIUM

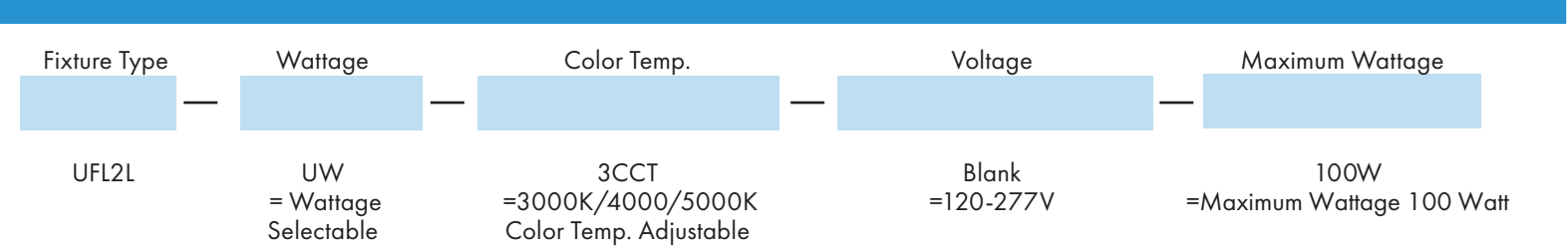
UFL2L Series

LED FLOOD LIGHT WATTAGE SELECTABLE & 3CCT

Fixture Type:
Project Name
Location:
Date:

Ordering Guide

Example: UFL2L UW3CCT 100W KN



Mouting Options

- Mounting
- KN
= Knuckle Mount
 - YK
=Yoke Mount

UFL2L Series

LED FLOOD LIGHT WATTAGE SELECTABLE & 3CCT

Fixture Type:

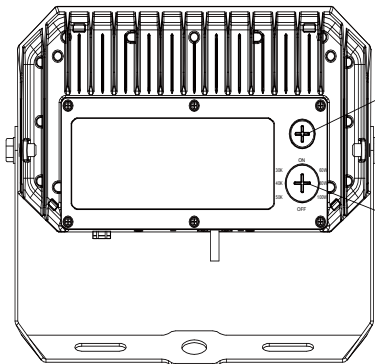
Project Name

Location:

Date:

Product Information

UFL2L-100W	3000K		4000K		5000K	
WATTAGE	LUMEN	EFFICACY	LUMEN	EFFICACY	LUMEN	EFFICACY
100W	12,500 lm	125 lm/W	13,000 lm	130 lm/W	13,000 lm	130 lm/W
80W	10,000 lm	125 lm/W	10,400 lm	130 lm/W	10,400 lm	130 lm/W
60W	7,500 lm	125 lm/W	7,800 lm	130 lm/W	7,800 lm	130 lm/W



Photocell included

Open the plug with a flat-blade screwdriver and turn the switch to the desired position:

- The switch on the left indicates the gear of the color temperature;
- The switch in the middle indicates the opening or closing of the photo control sensor;
- The switch on the right indicates the gear of the power.

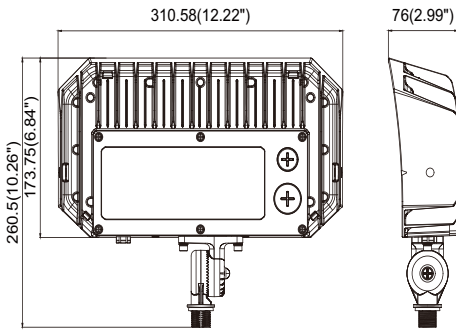
UFL2L Series

LED FLOOD LIGHT WATTAGE SELECTABLE & 3CCT

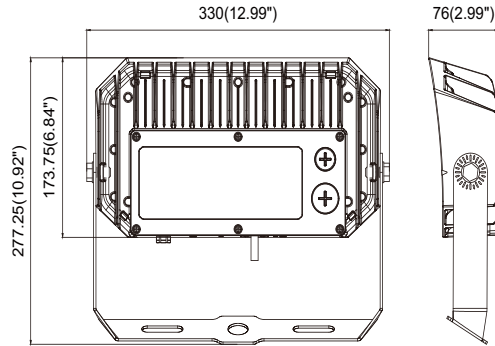
Fixture Type:
Project Name
Location:
Date:

Dimension

100W



▼
Knuckle



▼
Yoke