

UFL2 Series

LED FLOOD LIGHT WATTAGE SELECTABLE & 3CCT

Fixture Type:

Project Name

Location:

Date:

Features

- Premium durable High-Quality LED Flood Light, engineered to provide unparalleled performance and reliability.
- Built with high-grade aluminum for enhanced durability and protection against external elements.
- Efficient heat dissipation ensures optimal performance and longevity of the LED modules.
- Design to deliver a uniform and wide flood 7H X 6V light distribution.
- Featuring wattage selectable and 3CCT color temperature adjustable, allow you to customize the wattage and CCT on-site to suit your specific lighting needs.
- Versatile mounting options included: York mount , knuckles mount and Slipfitter mount.
- Premium powder coat dark grey finish provides resistance to corrosion and weathering.
- Optional photocell feature offers automatic dusk to dawn operation, enhancing energy efficiency and convenience.
- The light engines and housing are IP65 rated, and sealed against moisture or environmental contaminants.



30W



50W



100W



Specification

Material	Seal die casting aluminum housing	Efficacy	Up to 130 lm/W
Lens	Polycarbonate optical lens	LED Life Span	50,000 hrs
Beam angle	7H*6V	Dimmable	0-10V Dimming
Color Temp	3CCT 3000K/4000K/5000K	Lumen Package	1,950 lm to 13,000 lm
CRI	80	Warranty	5 Years
Input Voltage	120-277V	Ambient Operation Temperature	-40°C (-40°F) ~45°C (113°F)
Installation	Knuckle Yoke Slipfitter	Listing	UL Listed IP 65

UFL2 Series

LED FLOOD LIGHT WATTAGE SELECTABLE & 3CCT

Fixture Type:
Project Name
Location:
Date:

Ordering Guide Example: UFL2L-UW3CCT-100W-KN-PC



Fixture Type	Wattage	Color Temp.	Voltage	Maximum Wattage
UFL2S	UW = Wattage Selectable	3CCT =3000K/4000/5000K Color Temp. Adjustable	Blank =120-277V	30W =Maximum Wattage 30 Watt (UFL2S)
UFL2M				50W =Maximum Wattage 50Watt (UFL2M)
UFL2L				100W =Maximum Wattage 100 Watt (UFL2L)

PHOTOCELL

Photocell



PC
= Internal Photocell
Included

Mounting Options

Mounting



KN
= Knuckle Mount

YK
=Yoke Mount

¹SP
=Slipfitter

Note: 1. Slipfitter mount only available for 100W.

UFL2 Series

LED FLOOD LIGHT WATTAGE SELECTABLE & 3CCT

Fixture Type:

Project Name

Location:

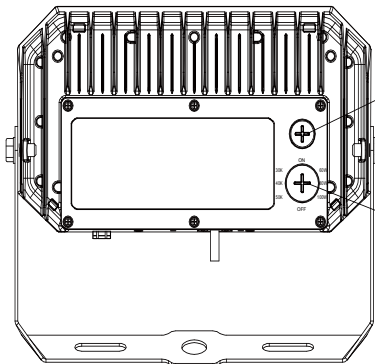
Date:

Product Information

UFL2S-30W		3000K		4000K		5000K	
WATTAGE	LUMEN	EFFICACY	LUMEN	EFFICACY	LUMEN	EFFICACY	
30W	3,750 lm	125 lm/W	3,900 lm	130 lm/W	3,900 lm	130 lm/W	
20W	2,500 lm	125 lm/W	2,600 lm	130 lm/W	2,600 lm	130 lm/W	
15W	1,875 lm	125 lm/W	1,950 lm	130 lm/W	1,950 lm	130 lm/W	

UFL2M-50W		3000K		4000K		5000K	
WATTAGE	LUMEN	EFFICACY	LUMEN	EFFICACY	LUMEN	EFFICACY	
50W	6,250 lm	125 lm/W	6,500 lm	130 lm/W	6,500 lm	130 lm/W	
40W	5,000 lm	125 lm/W	5,200 lm	130 lm/W	5,200 lm	130 lm/W	
30W	3,750 lm	125 lm/W	3,900 lm	130 lm/W	3,900 lm	130 lm/W	

UFL2L-100W		3000K		4000K		5000K	
WATTAGE	LUMEN	EFFICACY	LUMEN	EFFICACY	LUMEN	EFFICACY	
100W	12,500 lm	125 lm/W	13,000 lm	130 lm/W	13,000 lm	130 lm/W	
80W	10,000 lm	125 lm/W	10,400 lm	130 lm/W	10,400 lm	130 lm/W	
60W	7,500 lm	125 lm/W	7,800 lm	130 lm/W	7,800 lm	130 lm/W	



Photocell included

Open the plug with a flat-blade screwdriver and turn the switch to the desired position:
 The switch on the left indicates the gear of the color temperature;
 The switch in the middle indicates the opening or closing of the photo control sensor;
 The switch on the right indicates the gear of the power.

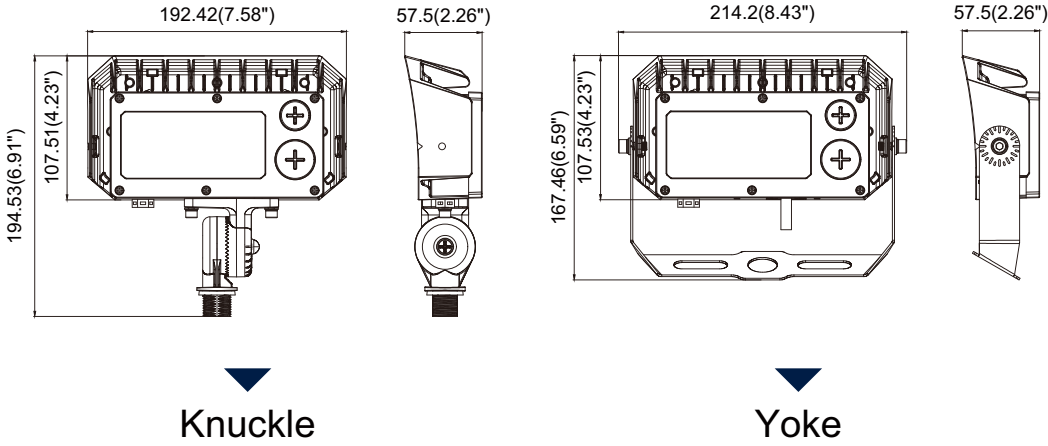
UFL2 Series

LED FLOOD LIGHT WATTAGE SELECTABLE & 3CCT

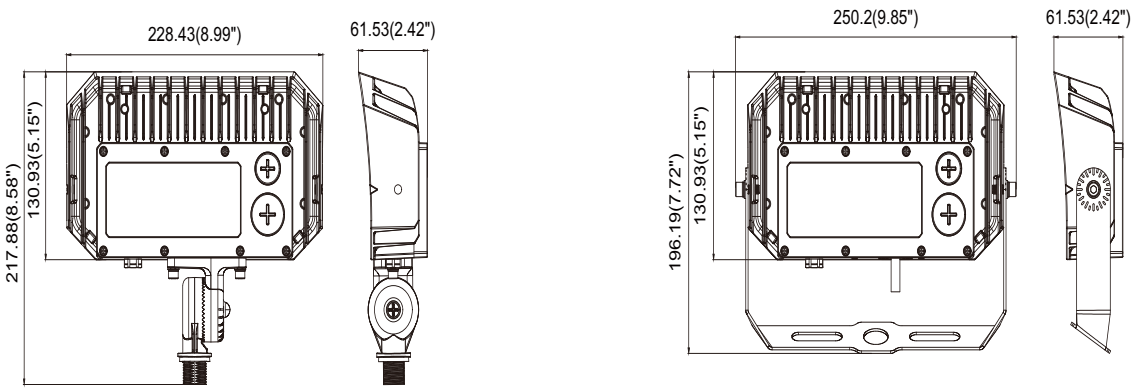
Fixture Type:
Project Name
Location:
Date:

Dimension

30W



50W

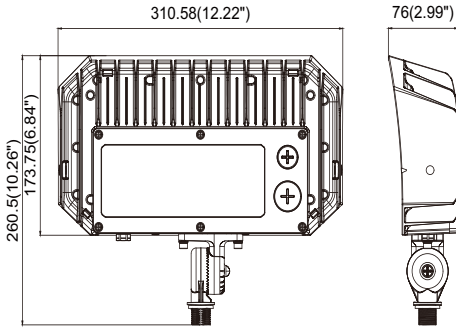


UFL2 Series

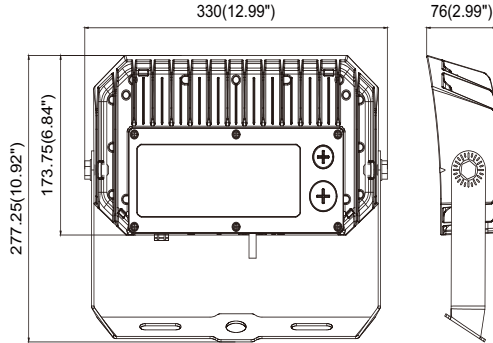
LED FLOOD LIGHT WATTAGE SELECTABLE & 3CCT

Fixture Type:
Project Name
Location:
Date:

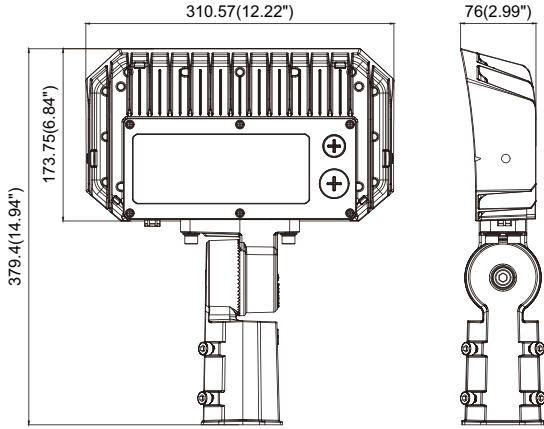
100W



▼
Knuckle



▼
Yoke



▼
Slip-fitter