

# PLB3 Series

LED 2x2, 2x4 Back-lit Panel

<b>Fixture Type:</b>
<b>Project Name</b>
<b>Location:</b>
<b>Date:</b>

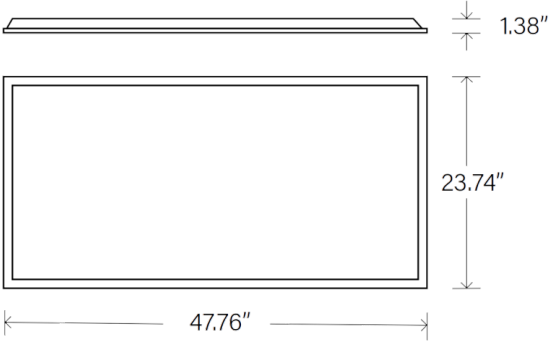
## Features

- Fully luminous backlit panel available in 2x2, 2x4 size.
- 5 Wattage selectable and 5CCT adjustable, save shelf space and carrying cost.
- Extruded aluminum frame with frosted polystyrene lens provides excellent shielding and uniform luminance.
- Easy recessed installation the back plate includes integral T-bar clips for installation into T-grid ceiling.
- Optional Emergency battery backup is available.
- Optional flange mount kit and surface mount kit is available.

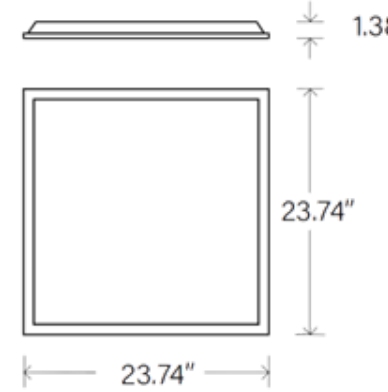


## Dimensions

### 2X4



### 2X2



## Specification

<b>Material</b>	Aluminum frame	<b>Efficacy</b>	Up to 125 lm/W
<b>Lens</b>	Frosted Polystyrene	<b>LED Life Span</b>	50,000 hrs
<b>Beam angle</b>	120 degree	<b>Dimmable</b>	0-10V Dimming
<b>IColor Temp</b>	5CCT 3500K/4000K/5000K/5700K/6500K	<b>Lumen Package</b>	1,950 lm- 9,000 lm
<b>CRI</b>	80	<b>Warranty</b>	5 Years
<b>Input Voltage</b>	120-277V	<b>Ambient Operation Temperature</b>	-20°C (-4°F) ~50° C (122°F)
<b>Installation</b>	Recessed into T-grid ceiling. Surface and recessed mounting kits available for drywall ceiling	<b>Listing</b>	DLC Premium ETL Listed Damp location listed

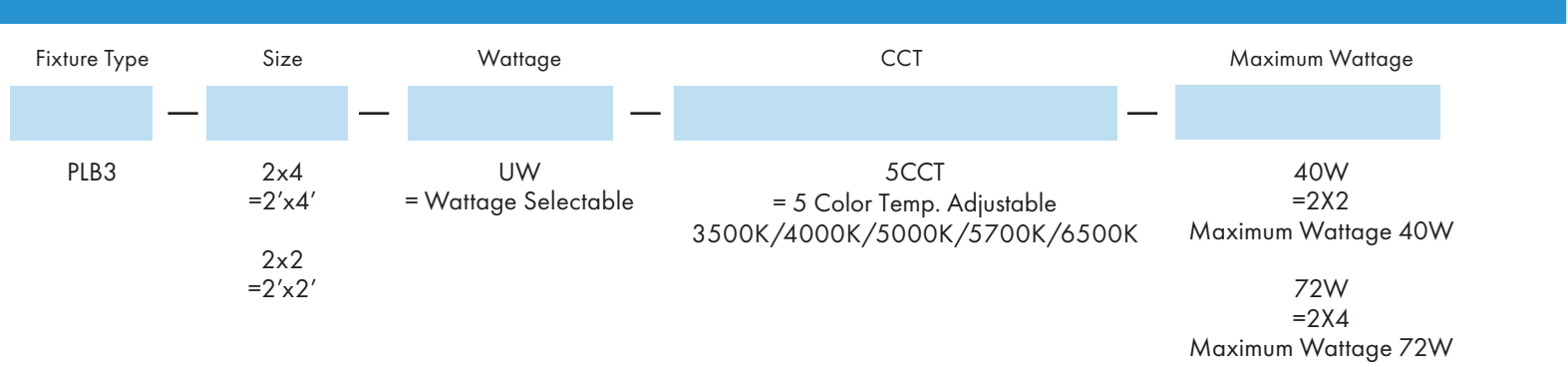
# PLB3 Series

LED 2x2, 2x4 Back-lit Panel

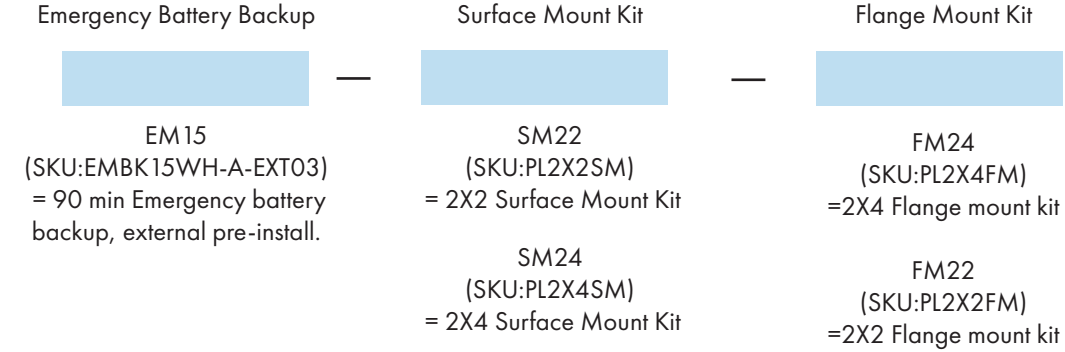
<b>Fixture Type:</b>
<b>Project Name</b>
<b>Location:</b>
<b>Date:</b>

## Ordering Guide

Example: PLB3-2X4UW5CCT-72W-EM-SM24



## Optional Accessories:



# PLB3 Series

LED 2x2,2x4 Back-lit Panel

**Fixture Type:**

**Project Name**

**Location:**

**Date:**

## Product Information

PLB3-2X4-72W

3500K			4000K		5000K		5700K		6500K	
WATTAGE	LUMEN	EFFICACY	LUMEN	EFFICACY	LUMEN	EFFICACY	LUMEN	EFFICACY	LUMEN	EFFICACY
72W	8800lm	122lm/W	8900lm	124lm/W	8950lm	124lm/W	9000lm	125lm/W	9000lm	125lm/W
60W	7350lm	123lm/W	7450lm	125lm/W	7510lm	125lm/W	7560lm	126lm/W	7560lm	126lm/W
50W	6150lm	124lm/W	6250lm	126lm/W	6300lm	126lm/W	6350lm	127lm/W	6350lm	127lm/W
40W	5000lm	126lm/W	5050lm	128lm/W	5110lm	128lm/W	5160lm	129lm/W	5160lm	129lm/W
30W	3700lm	127lm/W	3800lm	129lm/W	3850lm	129lm/W	3900lm	130lm/W	3900lm	130lm/W

PLB3-2X2-40W

3500K			4000K		5000K		5700K		6500K	
WATTAGE	LUMEN	EFFICACY	LUMEN	EFFICACY	LUMEN	EFFICACY	LUMEN	EFFICACY	LUMEN	EFFICACY
40W	4880lm	122lm/W	4960lm	124lm/W	4950lm	124lm/W	5000lm	125lm/W	5000lm	125lm/W
30W	3720lm	124lm/W	3780lm	126lm/W	3750lm	126lm/W	3810lm	127lm/W	3810lm	127lm/W
25W	3175lm	127lm/W	3225lm	128lm/W	3200lm	129lm/W	3250lm	130lm/W	3250lm	130lm/W
20W	2540lm	127lm/W	2580lm	128lm/W	2550lm	129lm/W	2600lm	130lm/W	2600lm	130lm/W
15W	1905lm	127lm/W	1920lm	128lm/W	1930lm	129lm/W	1950lm	130lm/W	1950lm	130lm/W

## PLB3 Series

LED 2x2,2x4 Back-lit Panel

**Fixture Type:**

**Project Name**

**Location:**

**Date:**

### Optional Accessories

#### Emergency Battery Backup:

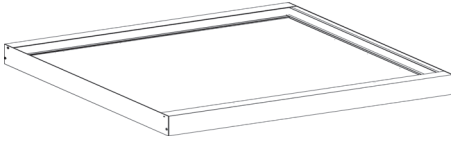


#### Emergency Battery Backup Pre-Installed

**SKU: -EMBK15WH-A-EXT03**

- External battery backup is pre-install by request
- 90 minutes emergency operation

#### Surface Mount Frame Kit:

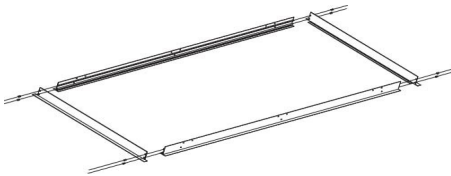


#### Surface Mount Frame Kit

**SKU: PL2X4SM/PL2X2SM**

- Surface mount frame kit for 1x4,2x4 and 2x2 fixtures.

#### Flange Mount Frame Kit:



#### Flange Mount Frame Kit

**SKU: PL2X4FM,PL2X2FM**

- Flange mount frame kit for 1x4,2x4,and 2x2 fixtures.