

PLB3 Series

LED 2x2, 2x4 Back-lit Panel

Fixture Type:
Project Name
Location:
Date:

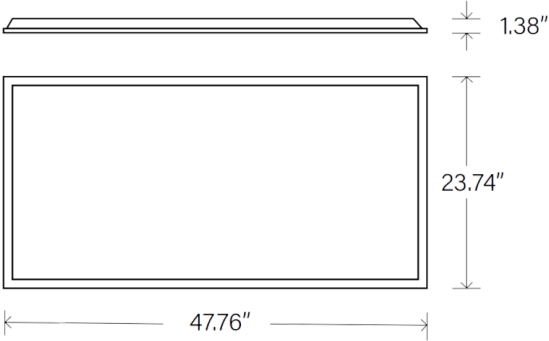
Features

- Fully luminous backlit panel available in 2x2, 2x4 size.
- 5 Wattage selectable and 5CCT adjustable, save shelf space and carrying cost.
- Extruded aluminum frame with frosted polystyrene lens provides excellent shielding and uniform luminance.
- Easy recessed installation the back plate includes integral T-bar clips for installation into T-grid ceiling.
- Optional Emergency battery backup is available.
- Optional flange mount kit and surface mount kit is available.

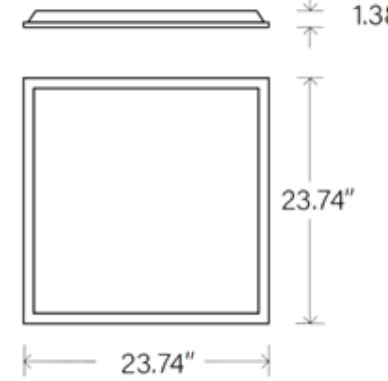


Dimensions

2X2



2X4



Specification

Material	Aluminum frame	Efficacy	Up to 125 lm/W
Lens	Frosted Polystyrene	LED Life Span	50,000 hrs
Beam angle	120 degree	Dimmable	0-10V Dimming
IColor Temp	5CCT 3500K/4000K/5000K/5700K/6000K	Lumen Package	1,950 lm- 9,000 lm
CRI	80	Warranty	5 Years
Input Voltage	120-277V	Ambient Operation Temperature	-20°C (-4°F) ~50° C (122°F)
Installation	Recessed into T-grid ceiling. Surface and recessed mounting kits available for drywall ceiling	Listing	DLC Premium ETL Listed Damp location listed

PLB3 Series

LED 2x2, 2x4 Back-lit Panel

Fixture Type:

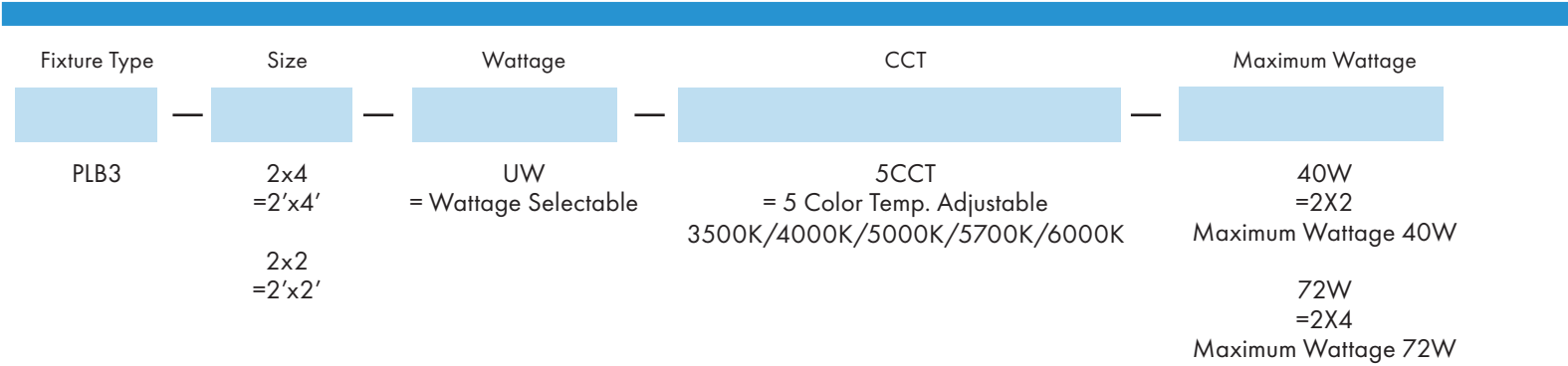
Project Name

Location:

Date:

Ordering Guide

Example: PLB3-2X4UW5CCT-72W-EM-SM24



Optional Accessories:

Emergency Battery Backup

EM15
(SKU:EMBK15WH-A-EXT03)
= 90 min Emergency battery backup, external pre-install.

Surface Mount Kit

SM22
(SKU:PL2X2SM)
= 2X2 Surface Mount Kit

SM24
(SKU:PL2X4SM)
= 2X4 Surface Mount Kit

Flange Mount Kit

FM24
(SKU:PL2X4FM)
=2X4 Flange mount kit

FM22
(SKU:PL2X2FM)
=2X2 Flange mount kit

PLB3 Series

LED 2x2,2x4 Back-lit Panel

Fixture Type:

Project Name

Location:

Date:

Product Information

PLB3-2X4-72W

3500K			4000K		5000K		5700K		6500K	
WATTAGE	LUMEN	EFFICACY	LUMEN	EFFICACY	LUMEN	EFFICACY	LUMEN	EFFICACY	LUMEN	EFFICACY
72W	8800lm	122lm/W	8900lm	124lm/W	8950lm	124lm/W	9000lm	125lm/W	9000lm	125lm/W
60W	7350lm	123lm/W	7450lm	125lm/W	7510lm	125lm/W	7560lm	126lm/W	7560lm	126lm/W
50W	6150lm	124lm/W	6250lm	126lm/W	6300lm	126lm/W	6350lm	127lm/W	6350lm	127lm/W
40W	5000lm	126lm/W	5050lm	128lm/W	5110lm	128lm/W	5160lm	129lm/W	5160lm	129lm/W
30W	3700lm	127lm/W	3800lm	129lm/W	3850lm	129lm/W	3900lm	130lm/W	3900lm	130lm/W

PLB3-2X2-40W

3500K			4000K		5000K		5700K		6500K	
WATTAGE	LUMEN	EFFICACY	LUMEN	EFFICACY	LUMEN	EFFICACY	LUMEN	EFFICACY	LUMEN	EFFICACY
40W	4880lm	122lm/W	4960lm	124lm/W	4950lm	124lm/W	5000lm	125lm/W	5000lm	125lm/W
30W	3720lm	124lm/W	3780lm	126lm/W	3750lm	126lm/W	3810lm	127lm/W	3810lm	127lm/W
25W	3175lm	127lm/W	3225lm	128lm/W	3200lm	129lm/W	3250lm	130lm/W	3250lm	130lm/W
20W	2540lm	127lm/W	2580lm	128lm/W	2550lm	129lm/W	2600lm	130lm/W	2600lm	130lm/W
15W	1905lm	127lm/W	1920lm	128lm/W	1930lm	129lm/W	1950lm	130lm/W	1950lm	130lm/W

PLB3 Series

LED 2x2,2x4 Back-lit Panel

Fixture Type:

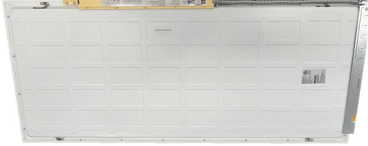
Project Name

Location:

Date:

Optional Accessories

Emergency Battery Backup:

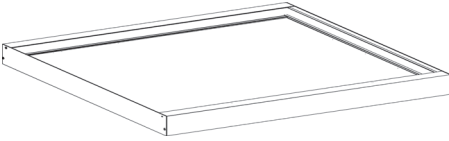


Emergency Battery Backup Pre-Installed

SKU: -EMBK15WH-A-EXT03

- External battery backup is pre-install by request
- 90 minutes emergency operation

Surface Mount Frame Kit:

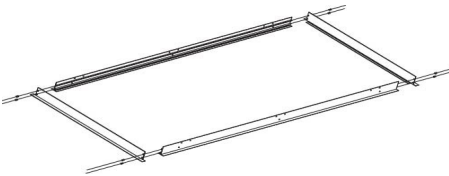


Surface Mount Frame Kit

SKU: PL2X4SM/PL2X2SM

- Surface mount frame kit for 1x4,2x4 and 2x2 fixtures.

Flange Mount Frame Kit:



Flange Mount Frame Kit

SKU: PL2X4FM,PL2X2FM

- Flange mount frame kit for 1x4,2x4,and 2x2 fixtures.