

CNP3 Series

High Lumen Output LED Square Canopy Wattage Selectable and 3CCT

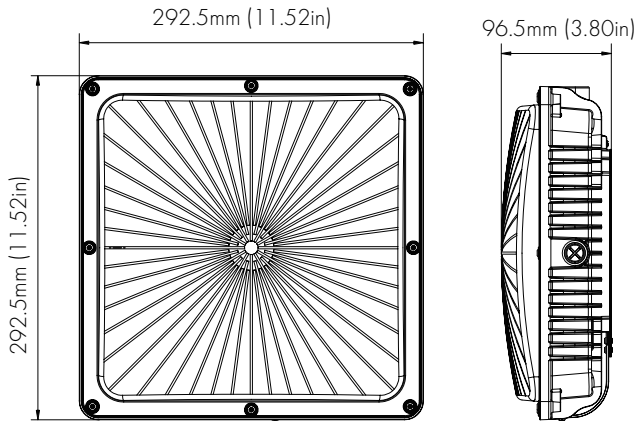
Fixture Type:
Project Name
Location:
Date:

Features

- LED square canopy provides a high level of brightness, up to 16,000 lumen only consuming 110Watts, ensures energy efficiency while still providing sufficient brightness.
- With 4 lumen package selectable and 3CCT adjustable, providing options for varying levels of brightness to suit specific lighting requirements.
- Built with a sturdy aluminum housing, ensuring durability and resistance to harsh weather conditions, impacts and corrosion.
- Effective heat dissipation mechanisms are integrated into the design to prevent overheating and ensure the longevity and reliability of the LEDs.
- A corrosion-resistant powder coating with dark bronze finish further enhances its durability.
- Come with a quick mounting plate, simplifying the installation process for surface mount application. Optional 3/4" conduit pendant mount.
- 1/2" knockout holes are provided on three sides of the fixture, allowing for easy wiring installation through surface conduit.
- Optional motion sensor features enhance both security and energy efficiency.



Dimensions



Specification

Material	One piece die cast aluminum housing	Efficacy	Up to 171 lm/W
Lens	Anti UV prismatic translucent lens	LED Life Span	50,000 hrs
Beam angle	100 degree	Dimmable	0-10V Dimming
Color Temp	3CCT 3000K/4000K/5000K	Lumen Package	6,800 lm to 16,000lm
CRI	70	Warranty	5 Years
Input Voltage	120-277V	Ambient Operation Temperature	-40°C (-40°F) ~45°C (113°F)
Installation	Surface Mount 3/4" Conduit Pendant Mount	Listing	UL Listed Wet location listed





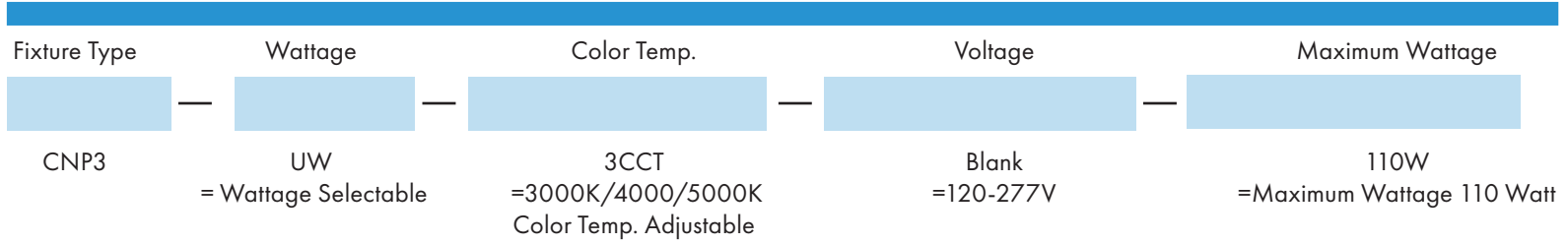
CNP3 Series

High Lumen Output LED Square Canopy Wattage Selectable and 3CCT

Fixture Type:
Project Name
Location:
Date:

Ordering Guide

Example: CNP1-UW3CCT-110W-MS01



Optional Accessories

Motion Sensor



MS01
(SKU:01VR-2-MIC)

= Internal DC microwave motion sensor.

MS02
(SKU:BL-PIR819-EX)

= External PIR motion sensor.





CNP3 Series

High Lumen Output LED Square Canopy Wattage Selectable and 3CCT

Fixture Type:
Project Name
Location:
Date:

Product Information

CNP3-110W	3000K		4000K		5000K	
WATTAGE	LUMEN	EFFICACY	LUMEN	EFFICACY	LUMEN	EFFICACY
110W	15,500lm	141lm/W	16,500lm	150lm/W	16,000lm	145lm/W
85W	12,800lm	151lm/W	13,600lm	160lm/W	13,000lm	153lm/W
63W	9,800lm	156lm/W	10,500lm	167lm/W	10,000lm	159lm/W
41W	6,800lm	166lm/W	7,200lm	176lm/W	7,000lm	171lm/W



CNP3 Series

High Lumen Output LED Square Canopy Wattage Selectable and 3CCT

Fixture Type:

Project Name

Location:

Date:

Optional Accessories

Motion Sensor:



DC Microwave Motion Sensor

SKU: 01VR-2-MIC

- Internal Microwave sensor pre-installed by request.
- Daylight sensor function and corridor function
- Configure setting by remote control (sold separately)
- Factory default setting: Hold on time: 5min daylight sensor is 50 lux, dimming level:30%.



External PIR Motion Sensor

SKU: BL-PIR819-EX

- External PIR motion sensor pre-installed by request.
- Daylight sensor function and corridor function
- Configure setting by dip switch or remote control (sold separately)
- Factory default setting: 100% sensitivity, Hold time 10 sec, daylight sensor 30lux, Dimming level: 30%, Dimming time: 60mins.

CNP3 Series

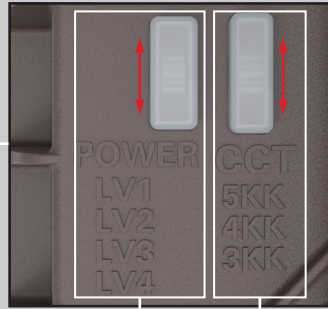
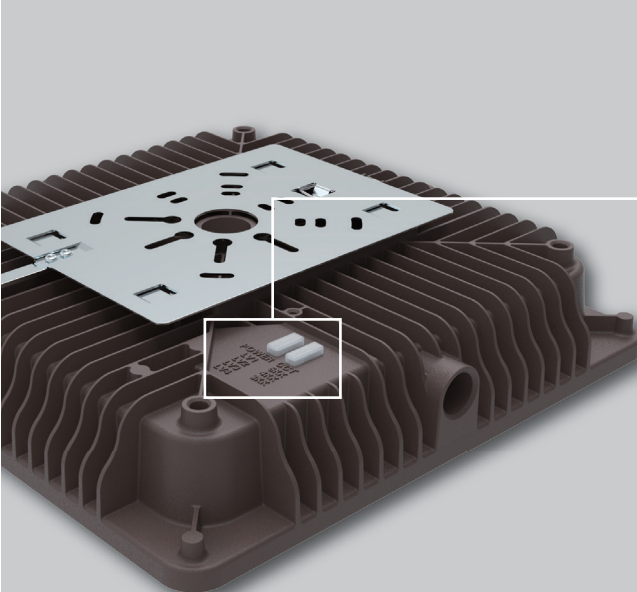
High Lumen Output LED Square Canopy Wattage Selectable and 3CCT

Fixture Type:

Project Name

Location:

Date:



CCT AND WATTAGE SELECTABLE
This fixture has the function of adjusting the lumens output and color temperature on-site.

WATTAGE SELECT

40% 60% 80% 100%

Each model supports 4 positions
wattage regulation :
100%, 80%, 60%, 40%

CCT SELECT

3000K 4000K 5000K

Offer three CCT adjustable
(3000K, 4000K, 5000K) .