

# FCWP4L Series

LARGE ARCHITECTURAL FULL CUTOFF WALL PACK

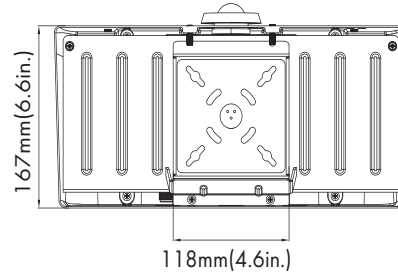
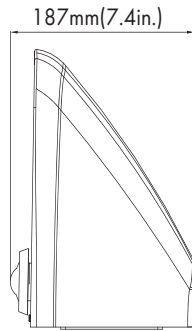
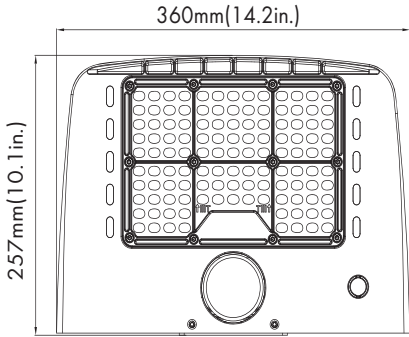
<b>Fixture Type:</b>
<b>Project Name</b>
<b>Location:</b>
<b>Date:</b>

## Features

- Innovative architectural full cutoff wall pack, designed with the latest LED technology.
- This cutting-edge luminaire offers long lasting, maintenance-free solution, delivering an impressive energy savings of up to 80% compared to metal halide.
- Featuring wattage selectable and 3CCT color temperature adjustable,allow you to customize the wattage and CCT on-site to suit your specific lighting needs.
- Premium powder coat dark bronze finish provides resistance to corrosion and weathering.
- PIR motion sensor and internal emergency battery backup available.
- Suitable for wet location



## Dimensions



Net Weight:  
100W: 9.41lb

## Specification

<b>Material</b>	Seal die casting aluminum housing	<b>Efficacy</b>	Up to 140 lm/W
<b>Lens</b>	UV stabilized optical grade polymer refractor lenses	<b>LED Life Span</b>	100,000 hrs
<b>Beam angle</b>	100 Degree	<b>Dimmable</b>	0-10V Dimming
<b>IColor Temp</b>	3CCT 3000K/4000K/5000K	<b>Lumen Package</b>	5,700 to 13,400 lm
<b>CRI</b>	70	<b>Warranty</b>	10 Years
<b>Input Voltage</b>	120-277V	<b>Ambient Operation Temperature</b>	-40°C (-40°F) ~45°C (113°F)
<b>Installation</b>	Wall mount	<b>Listing</b>	UL Listed Wet location listed

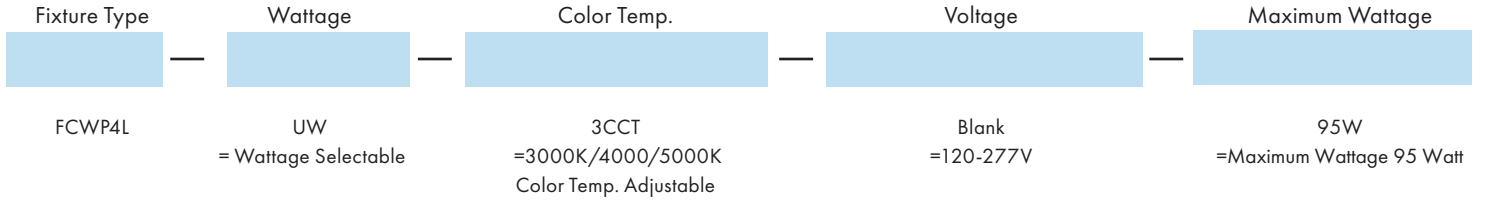
# FCWP4L Series

LARGE ARCHITECTURAL FULL CUTOFF WALL PACK

<b>Fixture Type:</b>
<b>Project Name</b>
<b>Location:</b>
<b>Date:</b>

## Ordering Guide

Example: FCWP4L-UW3CCT-95W-EM8-MS01



## Optional Accessories

Emergency Battery Backup

Motion Sensor

Photocell

EM8  
(SKU:EMBK8W-CNP02) =  
8W Emergency battery  
backup,  
internal pre-install.

MS01  
(SKU:BL-ANT6-4T-PIR)  
= 12/24V Plug and play  
motion sensor.

MS03  
(SKU:HD09V-PIR)  
=12VDC Plug and Play PIR  
manually setup capable motion  
sensor 3.5mm audio plug

PC  
(SKU:WPPC)  
= Button photocell internal pre-  
install.



# FCWP4L Series

LARGE ARCHITECTURAL FULL CUTOFF WALL PACK

<b>Fixture Type:</b>
<b>Project Name</b>
<b>Location:</b>
<b>Date:</b>

## Product Information

FCWP4L-95W	3000K			4000K		5000K	
	WATTAGE	LUMEN	EFFICACY	LUMEN	EFFICACY	LUMEN	EFFICACY
95W	12,920 lm	136lm/W	13,300 lm	140lm/W	13,300 lm	140lm/W	
76W	10,564 lm	139lm/W	10,944 lm	144lm/W	10,944 lm	144lm/W	
57W	8,094 lm	142lm/W	8,436 lm	148lm/W	8,436 lm	148lm/W	
38W	5,510 lm	145lm/W	5,738 lm	151lm/W	5,738 lm	151lm/W	

# FCWP4L Series

LARGE ARCHITECTURAL FULL CUTOFF WALL PACK

<b>Fixture Type:</b>
<b>Project Name</b>
<b>Location:</b>
<b>Date:</b>

## Optional Accessories

### Emergency Battery Backup:



#### Internal 8W Emergency Battery Backup

**SKU: EMBK8W-CNP02**

- Internal battery backup is pre-install by request
- 90 minutes emergency operation
- Provide up to 1100 lumen during emergency mode

### Motion Sensor:



#### 12/24V DC Plug and play PIR Motion Sensor

**SKU: BL-ANT6-4T-PIR**

- Daylight sensor function and corridor function
- Max. 40ft height
- Configure setting by remote control RC-MS100 (sold separately)
- Factory default setting: 100% sensitivity, Hold on time: 5min daylight sensor is 30 lux, dimming level:30%, dimming time: 60mins.



#### PIR Plug and Play Manually Adjustable Motion Sensor 12V 3.5mm audio plug

**SKU:HD09V-PIR**

- 3.5mm audio plug passive infrared motion sensor.
- With daylight harvesting and photocell function.
- The rotating switch is built into the motion sensor and allows you to manually adjust the standby dimming level and hold time without needing a remote control.
- Configure setting by remote control RC-HD05R (sold separately)

### Photocell:



#### Button Photocell

**SKU: WPPC**

- Photocell enables the fixture to turn on at dusk and off at dawn.
- Reduce energy consumption and extends fixture life span.
- Factory internal pre-install by request.