

FCWP4L Series

LARGE ARCHITECTURAL FULL CUTOFF WALL PACK

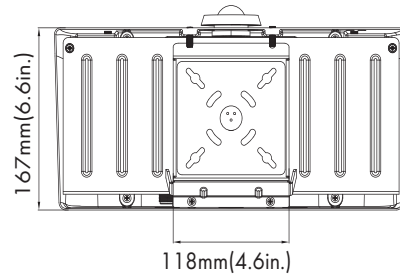
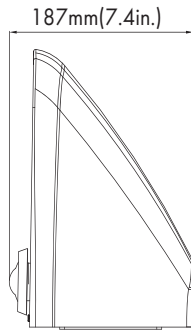
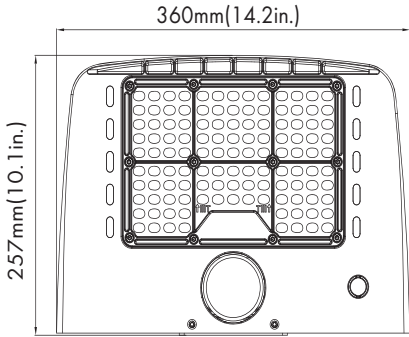
Fixture Type:
Project Name
Location:
Date:

Features

- Innovative architectural full cutoff wall pack, designed with the latest LED technology.
- This cutting-edge luminaire offers long lasting, maintenance-free solution, delivering an impressive energy savings of up to 80% compared to metal halide.
- Featuring wattage selectable and 3CCT color temperature adjustable,allow you to customize the wattage and CCT on-site to suit your specific lighting needs.
- Premium powder coat dark bronze finish provides resistance to corrosion and weathering.
- PIR motion sensor and internal emergency battery backup available.
- Suitable for wet location



Dimensions



Net Weight:
100W: 9.41lb

Specification

Material	Seal die casting aluminum housing	Efficacy	Up to 140 lm/W
Lens	UV stabilized optical grade polymer refractor lenses	LED Life Span	50,000 hrs
Beam angle	100 Degree	Dimmable	0-10V Dimming
IColor Temp	3CCT 3000K/4000K/5000K	Lumen Package	3,600 to 13,400 lm
CRI	70	Warranty	5 Years
Input Voltage	120-277V	Ambient Operation Temperature	-40°C (-40°F) ~45°C (113°F)
Installation	Wall mount	Listing	UL Listed Wet location listed

FCWP4L Series

LARGE ARCHITECTURAL FULL CUTOFF WALL PACK

Fixture Type:

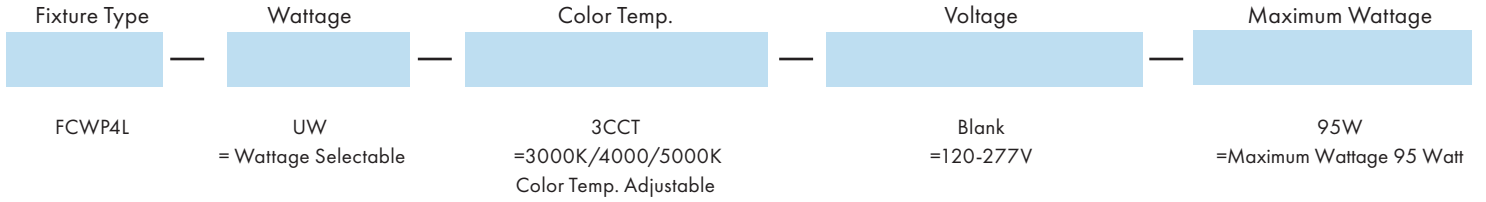
Project Name

Location:

Date:

Ordering Guide

Example: FCWP4L-UW3CCT-95W-EM8-MS01



Optional Accessories

Emergency Battery Backup

Motion Sensor

Photocell

EM8
(SKU:EMBK8W-CNP02) =
8W Emergency battery
backup,
internal pre-install.

MS01
(SKU:BL-ANT6-4T-PIR)
= 12/24V Plug and play
motion sensor.

MS03
(SKU:HD09V-PIR)
=12VDC Plug and Play PIR
manually setup capable motion
sensor 3.5mm audio plug

PC
(SKU:WPPC)
= Button photocell internal pre-
install.



FCWP4L Series

LARGE ARCHITECTURAL FULL CUTOFF WALL PACK

Fixture Type:
Project Name
Location:
Date:

Product Information

FCWP4L-95W	3000K			4000K		5000K	
	WATTAGE	LUMEN	EFFICACY	LUMEN	EFFICACY	LUMEN	EFFICACY
95W	12,920 lm	136lm/W	13,300 lm	140lm/W	13,300 lm	140lm/W	
76W	10,564 lm	139lm/W	10,944 lm	144lm/W	10,944 lm	144lm/W	
57W	8,094 lm	142lm/W	8,436 lm	148lm/W	8,436 lm	148lm/W	
38W	5,510 lm	145lm/W	5,738 lm	151lm/W	5,738 lm	151lm/W	

FCWP4L Series

LARGE ARCHITECTURAL FULL CUTOFF WALL PACK

Fixture Type:

Project Name

Location:

Date:

Optional Accessories

Emergency Battery Backup:



Internal 8W Emergency Battery Backup

SKU: EMBK8W-CNP02

- Internal battery backup is pre-install by request
- 90 minutes emergency operation
- Provide up to 1100 lumen during emergency mode

Motion Sensor:



12/24V DC Plug and play PIR Motion Sensor

SKU: BL-ANT6-4T-PIR

- Daylight sensor function and corridor function
- Max. 40ft height
- Configure setting by remote control RC-MS100 (sold separately)
- Factory default setting: 100% sensitivity, Hold on time: 5min daylight sensor is 30 lux, dimming level:30%, dimming time: 60mins.



PIR Plug and Play Manually Adjustable Motion Sensor 12V 3.5mm audio plug

SKU:HD09V-PIR

- 3.5mm audio plug passive infrared motion sensor.
- With daylight harvesting and photocell function.
- The rotating switch is built into the motion sensor and allows you to manually adjust the standby dimming level and hold time without needing a remote control.
- Configure setting by remote control RC-HD05R (sold separately)

Photocell:



Button Photocell

SKU: WPPC

- Photocell enables the fixture to turn on at dusk and off at dawn.
- Reduce energy consumption and extends fixture life span.
- Factory internal pre-install by request.