

CNP1 Series

LED Square Canopy Wattage Selectable and 3CCT

Fixture Type:

Project Name

Location:

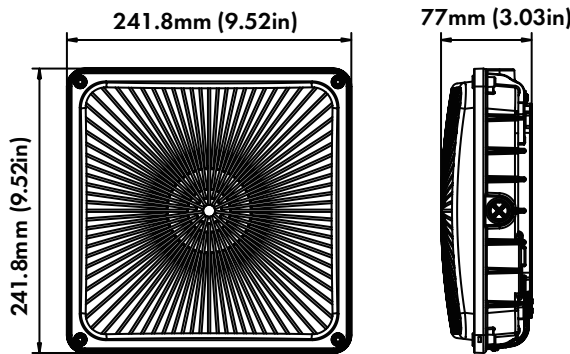
Date:

Features

- LED square canopy with 4 lumen package selectable and 3CCT adjustable, providing options for varying levels of brightness to suit specific lighting requirements.
- Built with a sturdy aluminum housing, ensuring durability and resistance to harsh weather conditions, impacts and corrosion.
- Effective heat dissipation mechanisms are integrated into the design to prevent overheating and ensure the longevity and reliability of the LEDs.
- A corrosion-resistant powder coating with dark bronze finish further enhances its durability.
- Come with a quick mounting plate, simplifying the installation process for surface mount application. Optional 3/4" conduit pendent mount available.
- 1/2" knockout holes are provided on three sides of the fixture, allowing for easy wiring installation through surface conduit.
- Optional motion sensor available.



Dimensions



Specification

Material	One piece die cast aluminum housing	Efficacy	Up to 167 lm/W
Lens	Anti UV prismatic translucent lens	LED Life Span	50,000 hrs
Beam angle	100 degree	Dimmable	0-10V Dimming
Color Temp	3CCT 3000K/4000K/5000K	Lumen Package	3,800 lm to 8,000 lm
CRI	70	Warranty	5 Years
Input Voltage	120-277V	Ambient Operation Temperature	-40°C (-40°F) ~45°C (113°F)
Installation	Surface Mount 3/4" Conduit Pendant Mount	Listing	UL Listed Wet location listed



CNP1 Series

LED Square Canopy Wattage Selectable and 3CCT

Fixture Type:

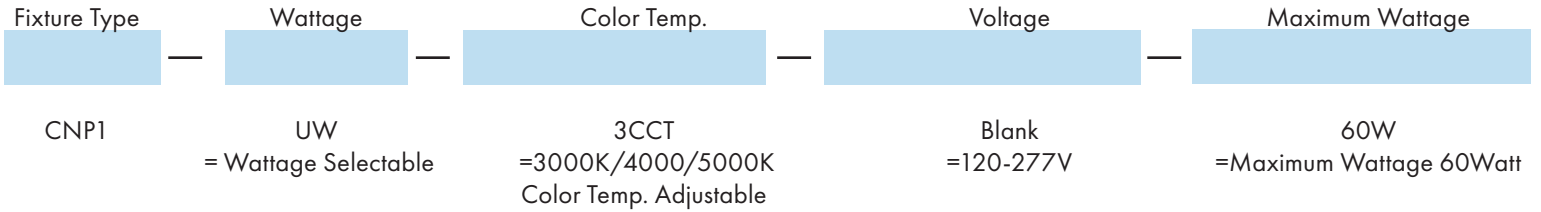
Project Name

Location:

Date:

Ordering Guide

Example: CNP1-UW3CCT-60W-MS01



Optional Accessories

Motion Sensor



MS01
(SKU:01VR-2-MIC)

= Internal DC microwave motion sensor.

MS02
(SKU:BL-PIR819-EX)

= External PIR motion sensor.





CNP1 Series

LED Square Canopy Wattage Selectable and 3CCT

Fixture Type:
Project Name
Location:
Date:

Product Information

CNP1-60W	3000K		4000K		5000K	
WATTAGE	LUMEN	EFFICACY	LUMEN	EFFICACY	LUMEN	EFFICACY
60W	7,800lm	130lm/W	8,400lm	140lm/W	8,000lm	133lm/W
47W	6,500lm	138lm/W	7,000lm	149lm/W	6,600lm	140lm/W
36W	5,200lm	144lm/W	5,300lm	156lm/W	5,300lm	147lm/W
24W	3,700lm	154lm/W	4,000lm	167lm/W	3,800lm	158lm/W



CNP1 Series

LED Square Canopy Wattage Selectable and 3CCT

Fixture Type:

Project Name

Location:

Date:

Optional Accessories

Motion Sensor:



DC Microwave Motion Sensor

SKU: 01VR-2-MIC

- Internal Microwave sensor pre-installed by request.
- Daylight sensor function and corridor function
- Configure setting by remote control (sold separately)
- Factory default setting: Hold on time: 5min daylight sensor is 50 lux, dimming level:30%.



External PIR Motion Sensor

SKU: BL-PIR819-EX

- External PIR motion sensor pre-installed by request.
- Daylight sensor function and corridor function
- Configure setting by dip switch or remote control (sold separately)
- Factory default setting: 100% sensitivity, Hold time 10 sec, daylight sensor 30lux, Dimming level: 30%, Dimming time: 60mins.

CNP1 Series

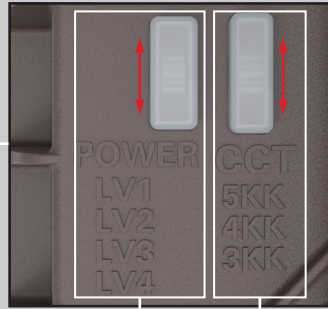
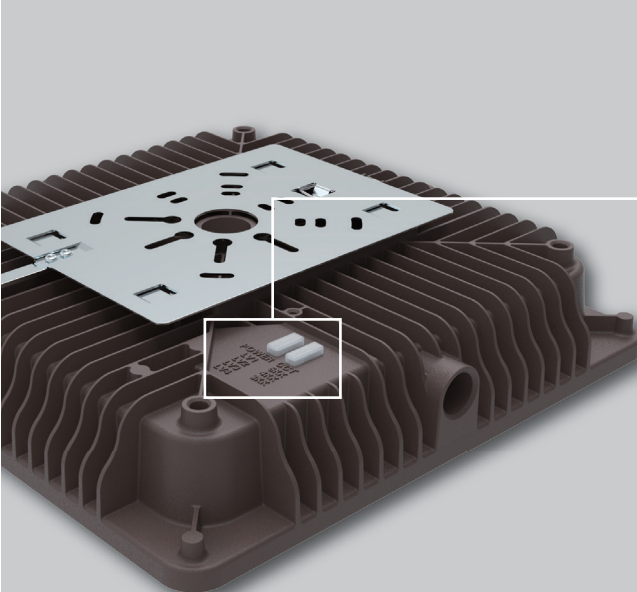
LED Square Canopy Wattage Selectable and 3CCT

Fixture Type:

Project Name

Location:

Date:



CCT AND WATTAGE SELECTABLE
 This fixture has the function of adjusting the lumens output and color temperature on-site.

WATTAGE SELECT

● 40% ● 60% ● 80% ● 100%

Each model supports 4 positions
 wattage regulation :
 100%, 80%, 60%, 40%

CCT SELECT

■ 3000K ■ 4000K ■ 5000K

Offer three CCT adjustable
 (3000K, 4000K, 5000K) .