

PST4 Series

LED Post Top

Fixture Type:

Project Name

Location:

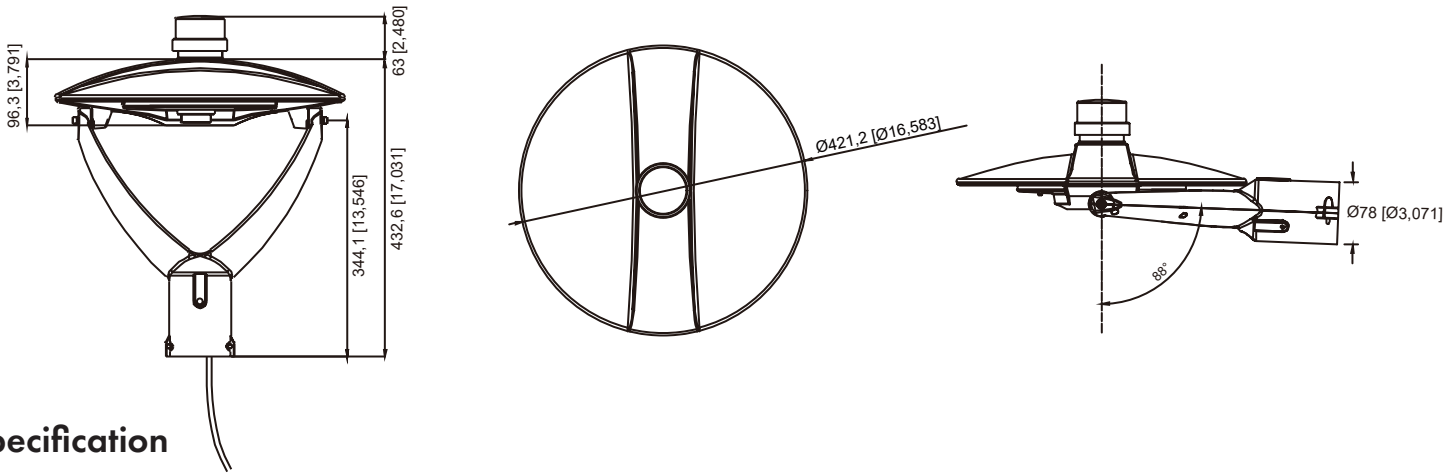
Date:

Features

- Wattage selectable and 3CCT adjustable LED garden post top, offering unparalleled versatility and performance to meet specific illumination needs
- Rugged die-cast aluminum housing secures the thermally conductive LED panel and electrical components.
- Housing is completely sealed with one piece tubular silicone, providing robust protection against environmental elements and ensuring reliable performance even in outdoor challenging conditions.
- Easy installation for standard 3" round pole mount, 2-3/8" adapter is available.
- Optional motion sensor and photocell available for maximizing energy saving.
- Suitable for wet location, making it the ideal lighting solution for a wide range of outdoor application.



Dimensions



Specification

Material	Die cast aluminum housing	Efficacy	Up to 140 lm/W
Lens	Polycarbonate Lens	LED Life Span	50,000 hrs
Beam angle	Type V	Dimmable	0-10V Dimming
IColor Temp	3CCT 3000K/4000K/5000K	Lumen Package	4,200 lm to 21,000 lm
CRI	70	Warranty	5 Years
Input Voltage	120-277V	Ambient Operation Temperature	-40°C (-40°F) to 45°C (113°F)
Installation	Standard 3" Round pole mount 2-3/8" adapter available	Listing	UL Listed Wet location listed



PST4 Series

LED Post Top

Fixture Type:

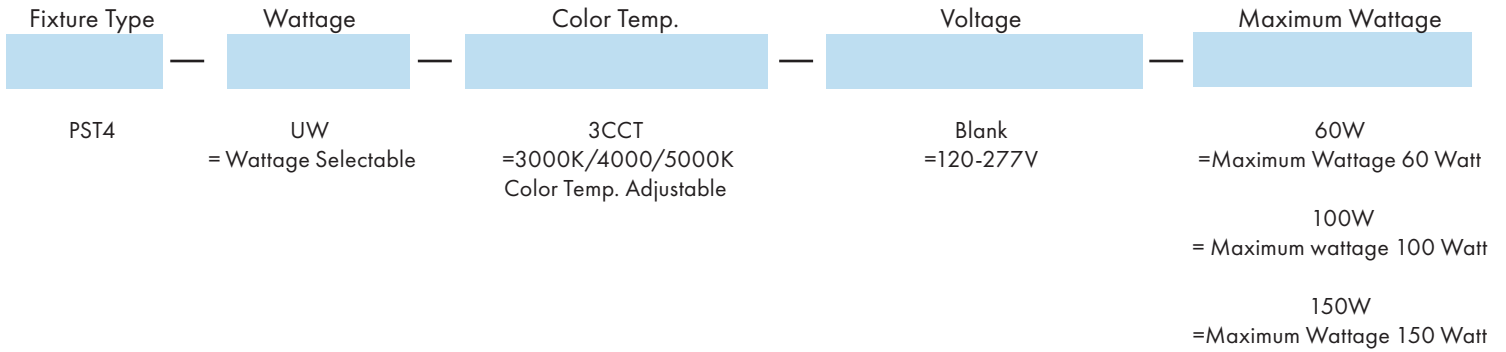
Project Name

Location:

Date:

Ordering Guide

Example: PST4-UW3CCT-150W-MS01-PC



Optional Accessories

¹Motion Sensor

¹Photocell

Pole Adapter

MS01

(SKU:BL-ANT6-4T-PIR)(Default)
= 12/24V Plug and play passive infra-red motion sensor.

MS02

(SKU:BL-ANT5-4T-MIC)
= 12/24V Plug and play microwave motion sensor.

PC

(SKU:ALPC)
= Standard voltage twist lock photocell.

2-3/8" ADP

(SKU: PST4-ADAPTER)
= 3" to 2-3/8" adaptor

Note: 1. For photocell and motion sensor, special factory installation is needed. Contact factory for availability and lead time.



PST4 Series

LED Post Top

Fixture Type:

Project Name

Location:

Date:

Product Information

PST4-UW3CCT-60W		3000K		4000K		5000K	
WATTAGE	LUMEN	EFFICACY	LUMEN	EFFICACY	LUMEN	EFFICACY	
60W	8,100lm	135lm/W	8,400lm	140 lm/W	8,400lm	140 lm/W	
50W	6,750lm	135lm/W	7,000lm	140 lm/W	7,000lm	140 lm/W	
30W	4,050lm	135lm/W	4,200lm	140 lm/W	4,200lm	140 lm/W	

PST4-UW3CCT-100W		3000K		4000K		5000K	
WATTAGE	LUMEN	EFFICACY	LUMEN	EFFICACY	LUMEN	EFFICACY	
100W	13,500lm	135lm/W	14,000lm	140 lm/W	14,000lm	140 lm/W	
80W	10,800lm	135lm/W	11,200lm	140 lm/W	11,200lm	140 lm/W	
60W	8,100lm	135lm/W	8,400lm	140 lm/W	8,400lm	140 lm/W	

PST4-UW3CCT-150W		3000K		4000K		5000K	
WATTAGE	LUMEN	EFFICACY	LUMEN	EFFICACY	LUMEN	EFFICACY	
150W	20,250lm	135lm/W	21,000lm	140 lm/W	21,000lm	140 lm/W	
135W	18,225lm	135lm/W	18,900lm	140 lm/W	18,900lm	140 lm/W	
120W	16,200lm	135lm/W	16,800lm	140 lm/W	16,800lm	140 lm/W	



PST4 Series

LED Post Top

Fixture Type:

Project Name

Location:

Date:

Optional Accessories



Standart Voltage 120-277V Photocell

- SKU: ALPC
- Twist lock photocell



Infrared plug and play motion sensor 12/24V (Standard)

- SKU: BL-ANT6-4T-PIR
- Passive Infrared plug and play motion sensor.



Microwave plug and play motion sensor 12/24V

- SKU: BL-ANT5-4T-PIR
- Microwave motion sensor



3" to 2-3/8" adapter

- SKU: PST4-ADAPTER
- Post top 3" to 2-3/8" mounting adapter