

LED Recessed Downlight



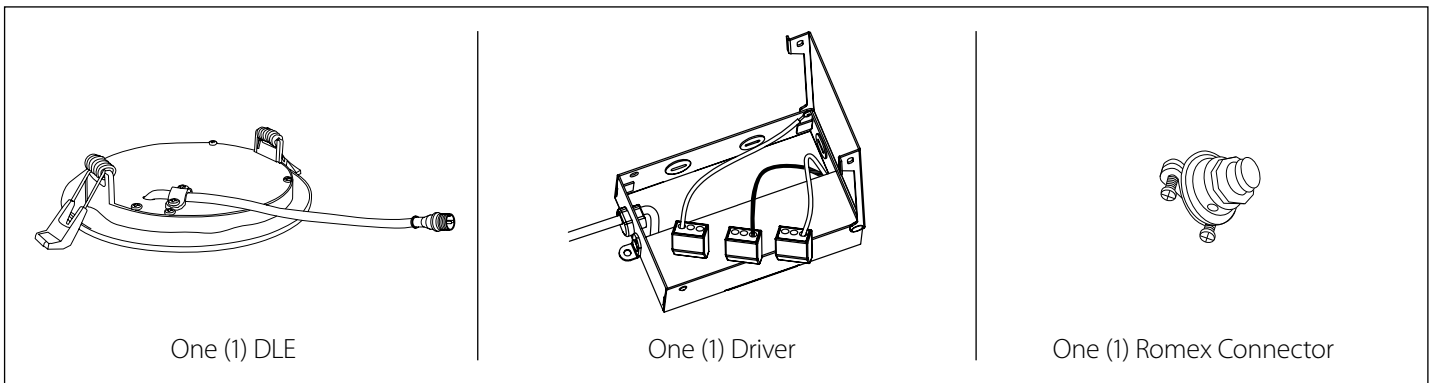
WARNING:

- Risk of electric shock. Disconnect power at fuse or circuit breaker before installing or servicing.
- To prevent early lamp failure, lamp should only be installed in operating environments between -20°C and + 40°C (104°F and -4°F)
- No user serviceable parts inside. To avoid electric shock do not disassemble product.
- This product is not intended for use in emergency light fixtures or exit signs.
- This product contains a chemical known to the state of California to cause cancer, birth defects and other reproductive harm.
- Risk of fire or electrical shock. Install this kit only in luminaires that have the construction features and dimensions shown in the photographs and/or drawings.
- To prevent wiring damage or abrasion, do not expose wiring to edges of sheet metal or other sharp objects.

ATTENTION:

- Turn power off before inspection, installation, or removal.
- Suitable for use in dry, damp and wet indoor and outdoor locations. Use only on 120 VAC, 60Hz circuits.

What's In The Box




Tools Needed

This LED Recessed Downlight requires very few tools for installation. A screwdriver, a wrench, and a pair of wirecutters will help to install the driver and downlight.



Installing the DLE LED Recessed Downlight

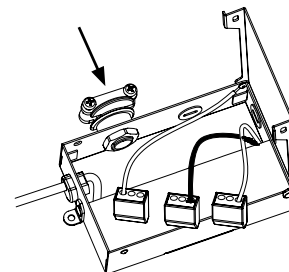
 Make sure all power is turned off before beginning installation

- 1 Identify fixture location and cut rough-in hole per the following chart:


DLE4-RD: 4.25" - 4.75" Round
DLE4-SQ: 4.25" x 4.25" Square

DLE6-RD: 6.00" - 7.25" Round
DLE6-SQ: 6.5" x 6.5" Square

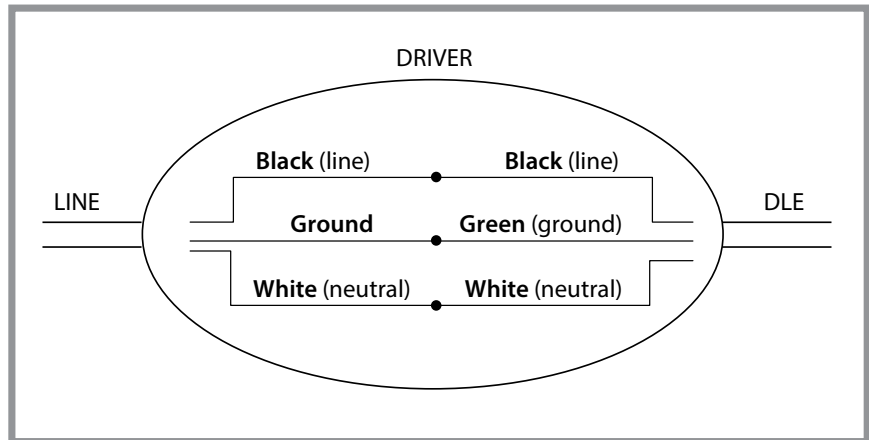
- 2 Attach Romex Connector to junction box.



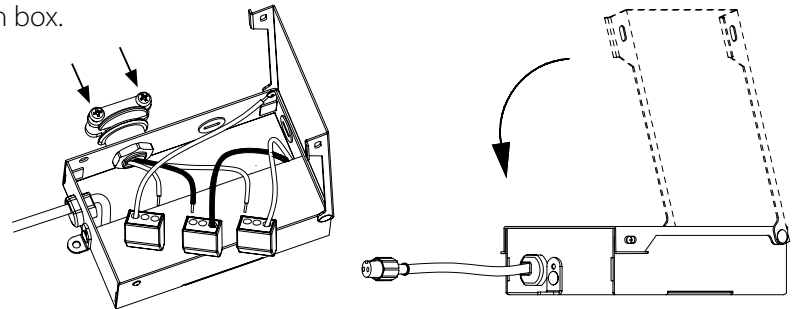
Installing the LED Recessed Downlight

 Make sure all power is turned off before beginning installation

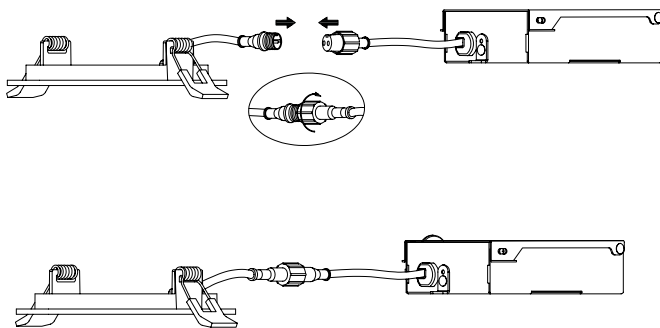
- 3 Make wiring connections as follows:
- Connect **Black** wire to line wire.
 - Connect **White** wire to neutral wire
 - Connect **Green** wire to ground wire



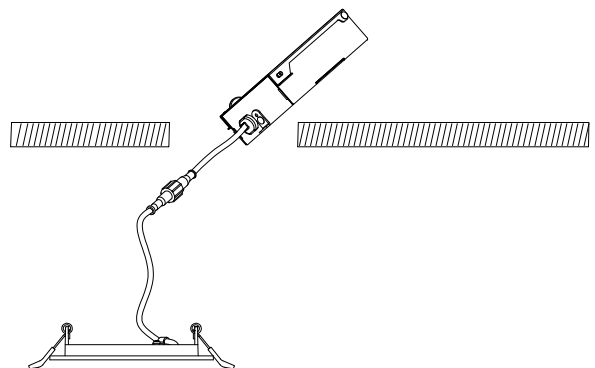
- 4 Tighten Romex connector clamp and close junction box.



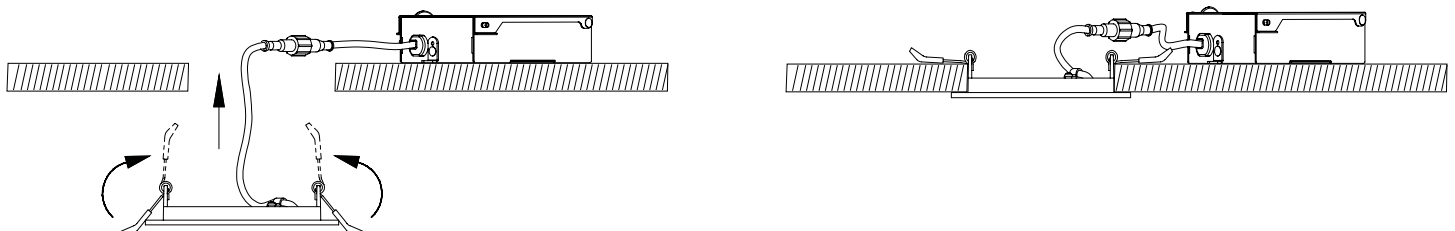
- 5 Connect light engine. Be sure to properly align connectors and fully screw down connector cover.



- 6 Place driver box into ceiling.
(Optional: Mount using mounting tabs and screws)



- 7 Push up spring-arms on side of fixture, lift into ceiling, and release spring-arms.



- 8 Turn on power and enjoy your new lighting.