

Under Cabinet Light Installation Instructions

⚠ WARNINGS ⚠

- Risk of electric shock - Disconnect power at the source before installation.
- If you are unsure about the installation or the maintenance of the fixture, please consult an electrician.
- Do not make or alter any holes in the wiring enclosure or modify any electrical componentry.

CAUTIONS

- The fixture must be wired in accordance with the National Electric Code (N.E.C) standards and any applicable local codes or ordinances.
- Supply conductors must at least be rated for 90°C/194°F.
- This fixture is designed for use with 120Vac, 50/60Hz only.
- This fixture is designed for use with Romex NM-B or BX cable

INSTALLATION INSTRUCTIONS

1. Ensure the power has been turned off by switching the circuit breaker to the off position or by removing the fuse from the fuse panel.
2. Remove the plastic lens by squeezing the front of the lens in then lifting the lens out.
3. Remove the light housing by squeezing the housing and lifting the housing out of the holding tabs.
4. Select the appropriate knockout and remove it, Then install the proper connector. A BX connector is included.
5. Install the fixture enclosure by using the provided wood screws using either the pre drilled holes or by using the keyhole slots. For reference, the distance between centers or the keyhole slots are shown in figure 2, figure 2a, and figure 2b.
6. Feed the supply wires through the previously installed connector and tighten the connector screws to ensure a snug fit.
7. Holding the light housing close to the mounted fixture enclosure, connect the green wire to the green or bare copper wire using the provided wire nut, then connect the white wire to the white wire using the provided wire nut, finally connect the black wire to the black wire using the provided wire nut.
8. Install the light housing into the fixture enclosure by aligning the two backs then by squeezing the light housing ensure the leading edge locks into the clips on the leading edge of the fixture enclosure.
9. Install the plastic lense by lining up the curved end with the front of the fixture, then press the back edge into the groove until it clicks into place.
10. Select the desired CCT by moving the selector switch to the desired CCT shown in figure 3.
11. Restore power to the fixture, the fixture can be turned on and off via the built in rocker switch.
12. Installation is now complete.

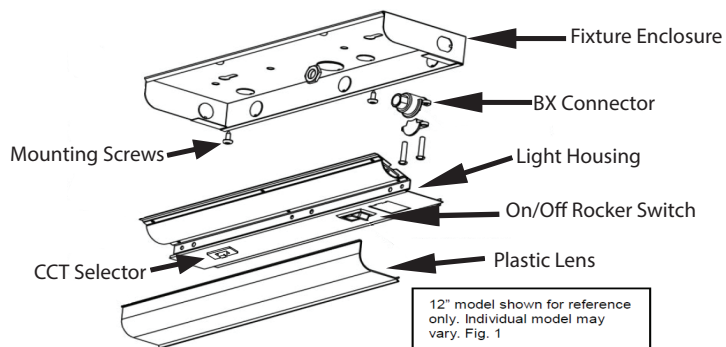


Figure 1

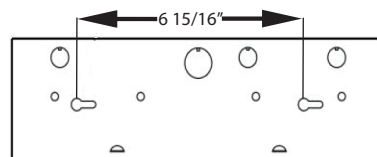


Figure 2

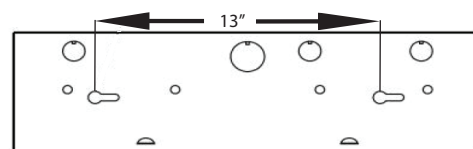


Figure 2a

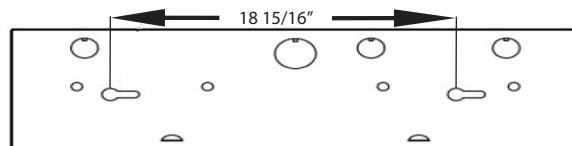


Figure 2b

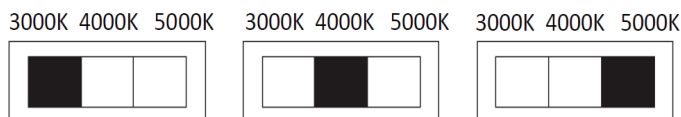


Figure 3