

WKL5 Series

LED 4" Temporary Disk Light

Fixture Type:
Project Name
Location:
Date:

Features

- Low profile, driverless design
- High quality PC cover with high transmittance
- Support surface installation, can be installed into 2.75/ 3.5" junction box

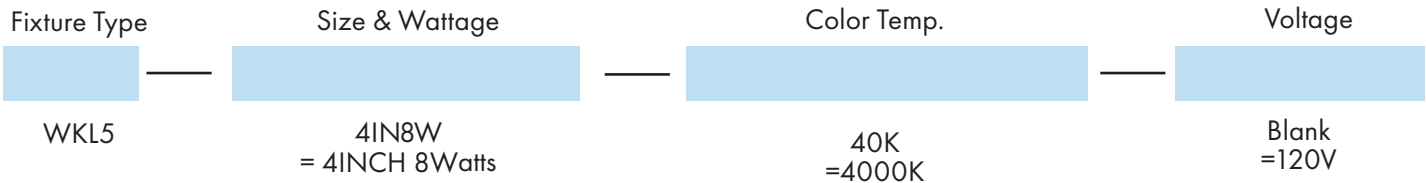


Product Performance Standard

Size	4.13"x0.024"x0.59"	Power Factor	90%
Weight	1 lb	Lift Span	50,000 Hrs
Wattage	8 Watts	Dimmable	Non Dimmable
Color Temp	4000K	Lumen	Up to 800 lm
CRI	80	Warranty	3 Years
Input Voltage	120V	Ambient Operation Temperature	-20C° (-4°F) ~ 45C° (113°F)

Ordering Guide

Example: WKL5-4IN8W40K



WKL5 Series

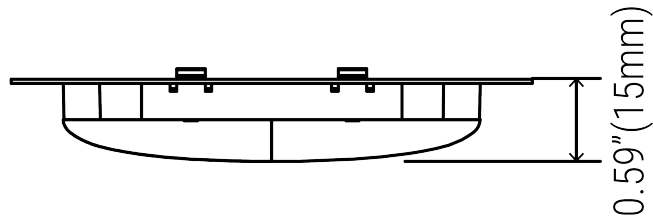
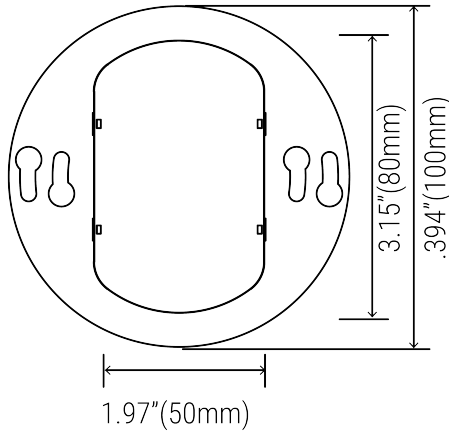
LED 4" Temporary Disk Light

Fixture Type:
Project Name
Location:
Date:

Product Information

4000K			
WATTAGE	LUMEN	EFFICACY	
8W	800lm	80lm/W	

Dimensions



Mounting Accessories



Wire nuts



Screw