

WKL4 Series

LED String Light

Fixture Type:

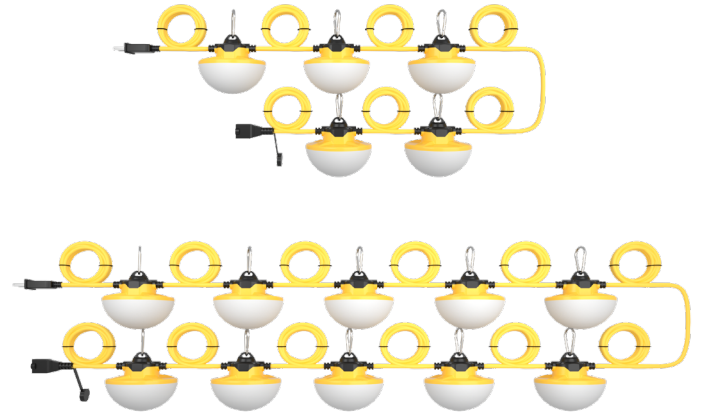
Project Name

Location:

Date:

Features

- 5 lights or 10 lights per bunch for option.
- Suitable to different demand of distant.
- Light heads spaced is 10ft/3mts parts.
- Available in 18AWG/16AWG power wire.
- Each lamp with metal hook, flexible for easy installation.
- Misty PC cover protect eyes better, anti dazzle design.
- Suitable for wet location.

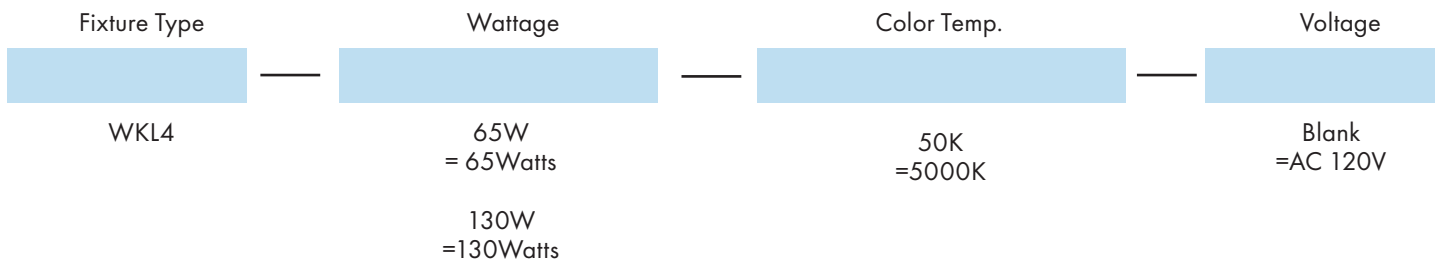


Product Performance Standard

| | | | |
|----------------------|---------------------|--------------------------------------|-----------------|
| Size | 5 lights /10 lights | Power Factor | 90% |
| Weight | 8 lb | Lift Span | 50,000 Hrs |
| Beam Angle | 270 Degree | Dimmable | 0-10V Dimmable |
| Color Temp | 5000K | Efficacy | Up to 120 lm/W |
| CRI | 80 | Warranty | 5 Years |
| Input Voltage | 120V | Ambient Operation Temperature | -35°C ~ 50°C |

Ordering Guide

Example: WKL4-65W50K



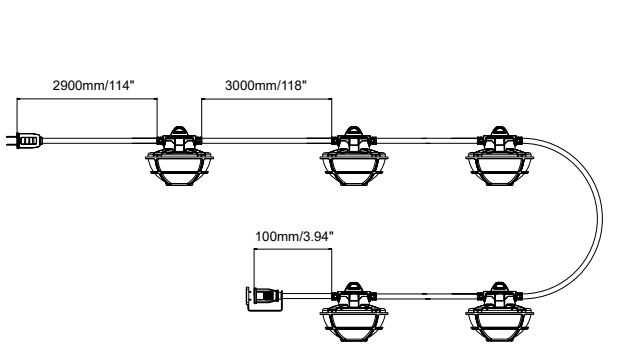
| |
|----------------------|
| Fixture Type: |
| Project Name |
| Location: |
| Date: |

Product Information

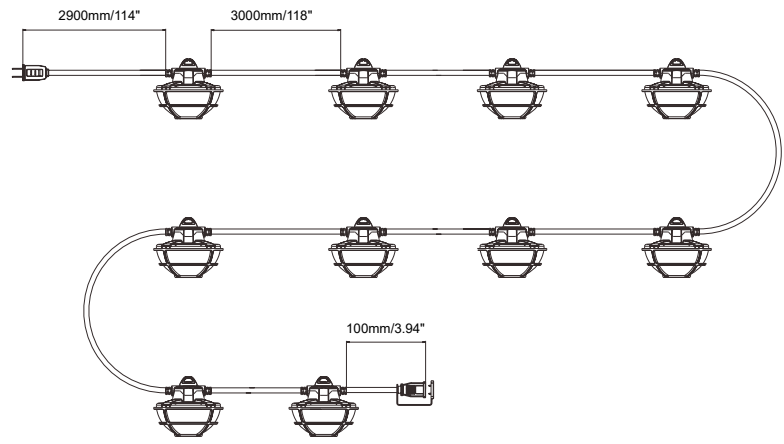
5000K

| WATTAGE | LUMEN | EFFICACY |
|---------|---------|----------|
| 65W | 8000lm | 140lm/W |
| 130W | 16000lm | 140lm/W |

Dimensions



Option 1: It has 5 LED light heads and comes with a 50ft/AC cord, light heads spaced 10ft/3mts apart.



Option 2: It has 10 LED light heads and comes with a 100ft/AC cord, light heads spaced 10ft/3mts apart.

Working condition: Input voltage is AC 120V, each light head spaced 10ft apart, the maximum quantity for fixture's plug to link another fixture's socket, without extra power cord

| AWG Size: | 65W, same power | 130W, same power |
|-----------|-----------------|------------------|
| 18AWG | 6 pieces | 3 pieces |
| 16AWG | 9 pieces | 5 pieces |



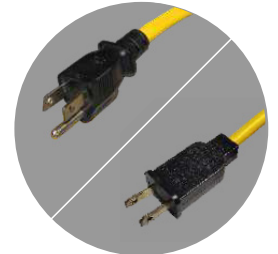
Milky cover with 270° beam angle, soft light



Flexible hook, easy installation



AC Plug with waterproof cover



2-prong plug/3-prong plug