

WKL4 Series

LED String Light

Fixture Type:

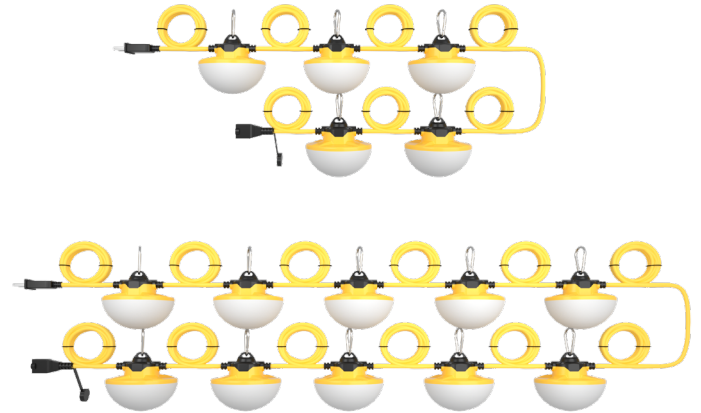
Project Name

Location:

Date:

Features

- 5 lights or 10 lights per bunch for option.
- Suitable to different demand of distant.
- Light heads spaced is 10ft/3mts parts.
- Available in 18AWG/16AWG power wire.
- Each lamp with metal hook, flexible for easy installation.
- Misty PC cover protect eyes better, anti dazzle design.
- Suitable for wet location.

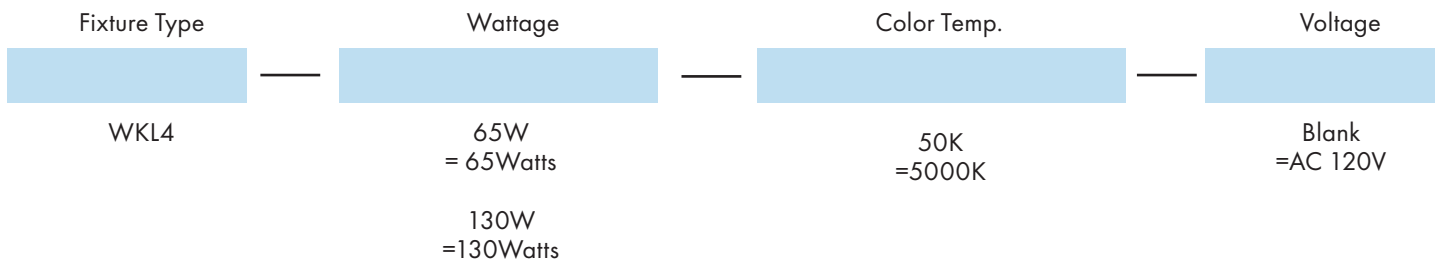


Product Performance Standard

Size	5 lights /10 lights	Power Factor	90%
Weight	8 lb	Lift Span	50,000 Hrs
Beam Angle	270 Degree	Dimmable	0-10V Dimmable
Color Temp	5000K	Efficacy	Up to 120 lm/W
CRI	80	Warranty	5 Years
Input Voltage	120V	Ambient Operation Temperature	-35C° ~ 50C°

Ordering Guide

Example: WKL4-65W50K



WKL4 Series

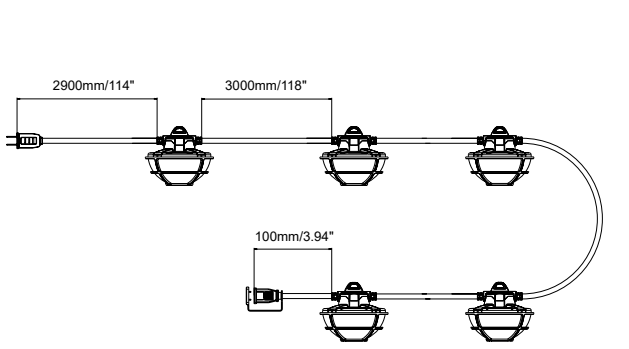
LED String Light

Fixture Type:
Project Name
Location:
Date:

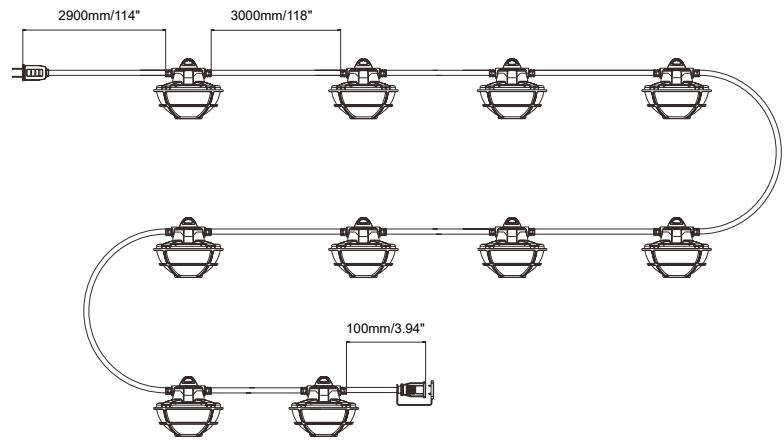
Product Information

5000K		
WATTAGE	LUMEN	EFFICACY
65W	8000lm	140lm/W
130W	16000lm	140lm/W

Dimensions



Option 1: It has 5 LED light heads and comes with a 50ft/AC cord, light heads spaced 10ft/3mts apart.



Option 2: It has 10 LED light heads and comes with a 100ft/AC cord, light heads spaced 10ft/3mts apart.

Working condition: Input voltage is AC 120V, each light head spaced 10ft apart, the maximum quantity for fixture's plug to link another fixture's socket, without extra power cord

AWG Size:	65W, same power	130W, same power
18AWG	6 pieces	3 pieces
16AWG	9 pieces	5 pieces



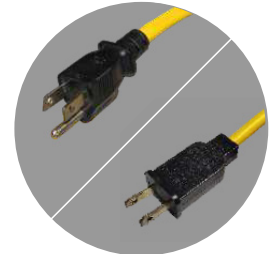
Milky cover with 270° beam angle, soft light



Flexible hook, easy installation



AC Plug with waterproof cover



2-prong plug/3-prong plug