

WKL1 Series

LED Loading Dock Light

Fixture Type:
Project Name
Location:
Date:

Features

- Safety yellow rugged cast aluminum housing.
- Come with an on/off switch on the light head for easy operation.
- High light transmittance PC cover.
- Anti-corrosion stainless steel cage with impact resistance.
- High reliable constant current LED driver.
- Available in multiple swing bracket optional with 5ft power cord.
- ETL/cETL/FCC/CE/RoHS approved.
- Light head suitable for wet location.



Optional Arm Mount:



Single Arm

Double Arm

Arm with the receptacles



Product Performance Standard

Size	L 7.24" x W2.83" x H6.42"	Power Factor	90%
Weight	8 lb	Lift Span	50,000 Hrs
Beam Angle	30 Degree	Dimmable	0-10V Dimmable
Color Temp	30K/40K/50K/57K/65K	Efficacy	Up to 140 lm/W
CRI	80	Warranty	5 Years
Input Voltage	120-277V	Ambient Operation Temperature	-40C° (-40°F) ~ 50C° (113°F)

Ordering Guide

Example: WKL1-40W40K-B1

Fixture Type	Wattage	Color Temp.	Voltage	Optional Arm Mount
WKL1	20W = 20Watts	30K = 3000K	Blank = 120-277V	Blank = No Arm Mount
	30W = 30Watts	40K = 4000K		B1 = 40" Double arm
	40W = 40Watts	50K = 5000K		B2 = 40" Double arm with receptacle
	50W = 50Watts	57K = 5700K		B3 = 60" Double Arm
		60K = 6000K		A1 = 40" Single Arm
				A2 = 40" Single Arm with receptacle
				A3 = 60" Single Arm
				A4 = 24" Single Arm

WKL1 Series

LED Loading Dock Light

Fixture Type:

Project Name

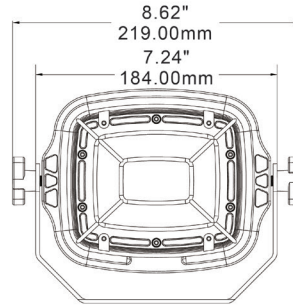
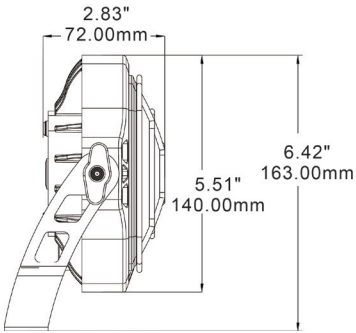
Location:

Date:

Product Information

3000K		4000K		5000K		
WATTAGE	LUMEN	EFFICACY	LUMEN	EFFICACY	LUMEN	EFFICACY
50W	6900lm	138lm/W	7000lm	140lm/W	7000lm	140lm/W
40W	5520lm	138lm/W	5600lm	140lm/W	5600lm	140lm/W
30W	4140lm	138lm/W	4200lm	140lm/W	4200lm	140lm/W
20W	2760lm	138lm/W	2800lm	140lm/W	2800lm	140lm/W

Dimensions



Optional Accessories



Single Arm Mount

-Available in 40" or 60"



Double Arm Mount

-Available in 40" or 60"



Double/Single Arm Mount Receptacle

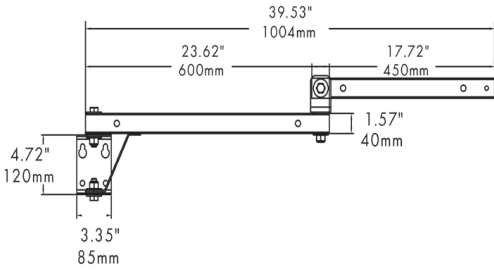
-Available in 40" for single or double arm

WKL1 Series

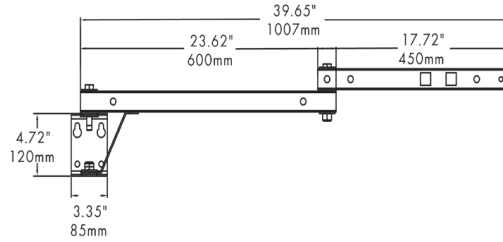
LED Loading Dock Light

Fixture Type:
Project Name
Location:
Date:

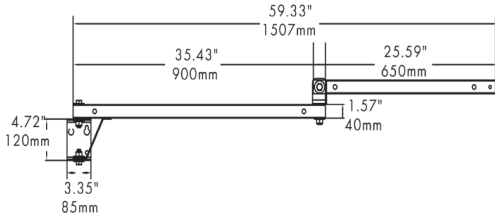
Single Arm



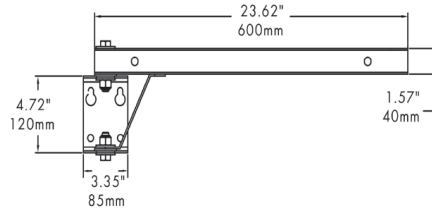
40" Bracket A1



40" Bracket A2, Built-in receptacle



60" Bracket A3



24" Bracket A4