

RD-NCHOUSING Series

Recessed housing for new construction

Fixture Type:

Project Name

Location:

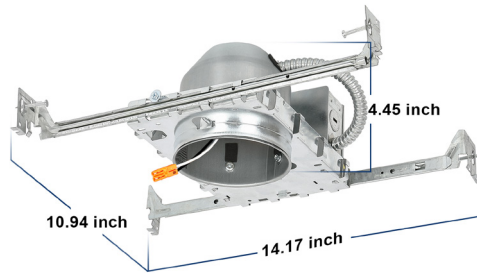
Date:

Features

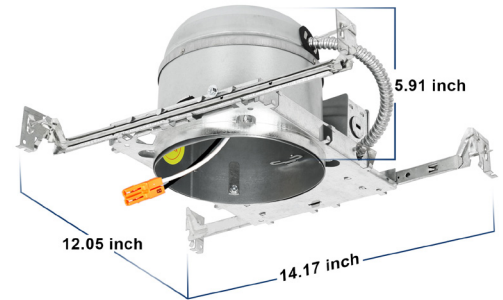
- 4"/6" Recessed housing rated IC for new construction only.
- Air-tight standard. Tested to meet current energy codes.
- Steel housing with wire nuts for installation in existing plaster, sheet rock or mechanical ceiling. Heavy gauge galvanized steel raceway arm.
- Hook and hang snap on J-box doors for easy access.
- Quick disconnect provided for power connection to the LED modules.
- Suitable for damp location.



4" New Construction Recessed Can Dimensions



6" New Construction Recessed Can Dimensions



Ordering Guide

Example: RD-NCHOUSING - 4INCH

Fixture Type	Size
RD-NCHOUSING	4IN =4 inch
	6IN =6 inch

