

# RDHOU Series (Make to order only)

Recessed housing for new construction

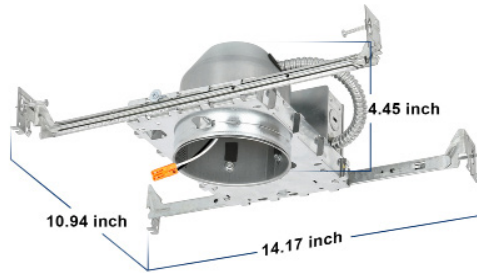
<b>Fixture Type:</b>
<b>Project Name</b>
<b>Location:</b>
<b>Date:</b>

## Features

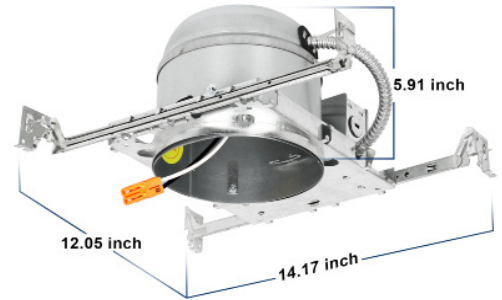
- 4"/6" Recessed housing rated IC for new construction only.
- Air-tight standard. Tested to meet current energy codes.
- Steel housing with wire nuts for installation in existing plaster, sheet rock or mechanical ceiling. Heavy gauge galvanized steel raceway arm.
- Hook and hang snap on J-box doors for easy access.
- Quick disconnect provided for power connection to the LED modules.
- Suitable for damp location.



4" New Construction Recessed Can Dimensions

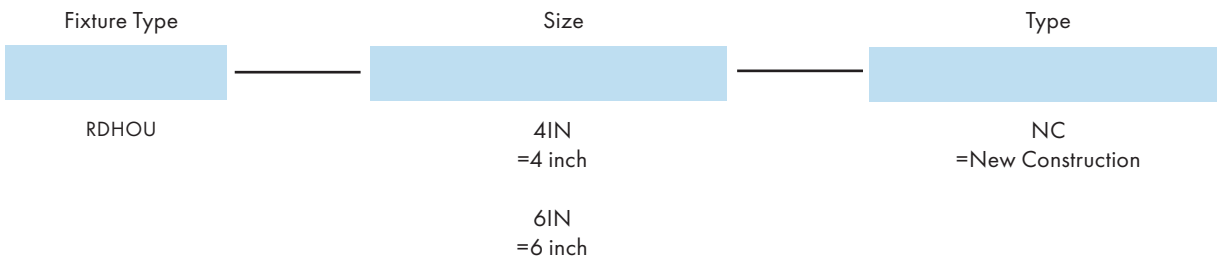


6" New Construction Recessed Can Dimensions



## Ordering Guide

Example: RD-HOUSING - 4INCH



Note: Make to order only, please contact factory for the lead time and availability.