

UFL1L Series

Wattage Selectable & 3CCT Flood Light

Fixture Type:

Project Name:

Location:

Date:

Features

- Wattage selectable 52W/71W/98W/120W
- Adjustable color temperature 3000K/4000K/5000K
- One piece die-cast aluminum housing with tempered glass lens
- NEMA Beam spread of 7H x 7V
- Integrated visor that cover can reduce glare.
- Photocell pre-installed, shorting cap come with it for disable the photocell function.
- Two mounting options 1/2" knuckle mount and trunnion mount for the small & medium size Slipfitter and trunnion mount for the large size.
- Suitable for wet locations.



Product Performance Standard

Nema Type:	7H x 7V	Power Factor	90%
Weight	8LB	Life Span	50,000 Hrs
IP Rate	IP65	Dimmable	1-10V Dimmable
Color Temp	3CCT 30/40/50K	Efficacy	Up to 150 lm/W
CRI	70	Warranty	5 Years
Input Voltage	120-277V	Ambient Operation Temperature	-40C° (-40°F) ~ 40° (104°F)



Large 20W

Ordering Guide

Example: ULFL1-UW3CCT-SP-120W-PC

Fixture Type	Wattage	Color Temp.	Mounting	Max Wattage	Finish	Accessories
UFL1L	UW Wattage Selectable	3CCT 3000K/4000K/5000K	SP =Slipfitter YK =York Mount	120W = Maximum Wattage 120W	Blank = Dark Bronze	PC = Photocell (-WPPC) (Included)

UFL1L Series

Wattage Selectable & 3CCT Flood Light

Fixture Type:
Project Name:
Location:
Date:

Mounting Options:



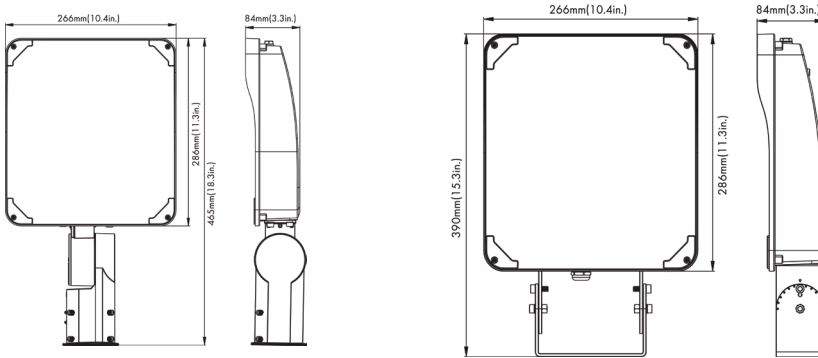
York Mount



Slipfitter Mount

(120W)

Dimension:



120W

Performance Data

ULFL1-UW3CCT-120W

	3000K		4000K		5000K	
WATTAGE	LUMEN	EFFICACY	LUMEN	EFFICACY	LUMEN	EFFICACY
120W	17500lm	146lm/W	17800lm	148lm/W	18000lm	150lm/W
98W	14800lm	150lm/W	14900lm	152lm/W	15119lm	154lm/W
71W	10800lm	152lm/W	11000lm	154lm/W	11206lm	157lm/W
52W	8480lm	162lm/W	8500lm	163lm/W	8581lm	165m/W

UFL1L Series

Wattage Selecatable & 3CCT Flood Light

Fixture Type:

Project Name:

Location:

Date:

High reflective white reflector and tempered glass. Beam spread 7Hx7V NEMA type.

Photocell pre-installed, come with shorting cap to disable photocell function.

One piece die cast aluminum housing with dark bronze finish

Yoke and slipfitter mount only suitable for 120W.

