

USFL1 Series

Wattage Selectable & 3CCT Flood Light

Fixture Type:
Project Name:
Location:
Date:

Features

- Wattage selectable 6W/10W/12W/15W or 11W/15W/20W/27W
- Adjustable color temperature 3000K/4000K/5000K
- One piece die-cast aluminum housing with tempered glass lens
- NEMA Beam spread of 7H x 7V
- Integrated visor that can reduce glare.
- Photocell pre-installed, shorting cap come with it for disable the photocell function.
- Two mounting options 1/2" knuckle mount and trunnion mount for the small & medium size Slipfitter and trunnion mount for the large size.
- Suitable for wet locations.



SMALL 15W/27W



Product Performance Standard

Nema Type:	7H x 7V	Power Factor	90%
Weight	3LB	Life Span	50,000 Hrs
IP Rate	IP65	Dimmable	1-10V Dimmable
Color Temp	3CCT 30/40/50K	Efficacy	Up to 150 lm/W
CRI	70	Warranty	5 Years
Input Voltage	120-277V	Ambient Operation Temperature	-40C° (-40°F) ~ 40° (104°F)

Ordering Guide

Example: USFL1-27W3CCT-TM-15W-PC

Fixture Type	Wattage	Color Temp.	Mounting	Max Wattage	Finish	Accessories
USFL1	UW Wattage Selectable	3CCT 3000K/4000K/5000K	KN =Knuckle TM =Trunnion	15W = Maximum Wattage 15W 27W = Maximum Wattage 27W	Blank = Dark Bronze	PC = Photocell (-WPPC) (Included)

USFL1 Series

Wattage Selectable & 3CCT Flood Light

Fixture Type:

Project Name:

Location:

Date:

Mounting Options:



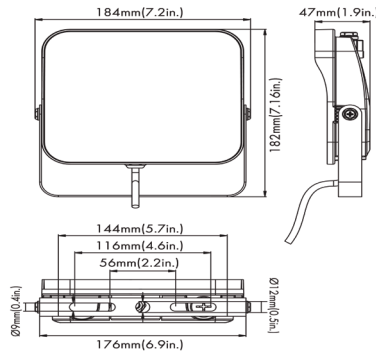
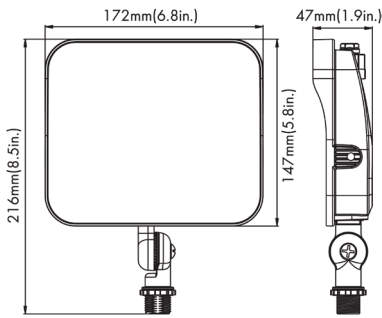
1/2" Knuckle Mount



Trunnion Mount

(15W/27W)

Dimension:



Performance Data

USFL1-UW3CCT-15W

	3000K		4000K		5000K	
WATTAGE	LUMEN	EFFICACY	LUMEN	EFFICACY	LUMEN	EFFICACY
15W	2050lm	137lm/W	2100lm	140lm/W	2300lm	153lm/W
12W	1572lm	131lm/W	1590lm	132lm/W	1790lm	149lm/W
10W	1240lm	124lm/W	1255lm	125lm/W	1455lm	145lm/W
6W	726lm	121lm/W	743lm	123lm/W	943lm	157lm/W

USFL1 Series

Wattage Seleccionable & 3CCT Flood Light

Fixture Type:

Project Name:

Location:

Date:

USFL1-UW3CCT-27W

WATTAGE	3000K		4000K		5000K	
	LUMEN	EFFICACY	LUMEN	EFFICACY	LUMEN	EFFICACY
27W	3490lm	129lm/W	3500lm	129lm/W	3600lm	133lm/W
20W	2780lm	139lm/W	2800lm	140lm/W	2856lm	149lm/W
15W	2175lm	145lm/W	2200lm	146lm/W	2234lm	145lm/W
11W	1640lm	149lm/W	1650lm	150lm/W	1690lm	157lm/W



Photocell pre-installed, come with shorting cap to disable photocell function.

High reflective white reflector and tempered glass. Beam spread 7Hx7V NEMA type.

One piece die cast aluminum housing with dark bronze finish

Knuckle and trunnion mount for 15W/27W

