

USFL1 Series

Wattage Selectable & 3CCT Flood Light

Fixture Type:

Project Name:

Location:

Date:

Features

- Wattage selectable 6W/10W/12W/15W or 11W/15W/20W/27W
- Adjustable color temperature 3000K/4000K/5000K
- One piece die-cast aluminum housing with tempered glass lens
- NEMA Beam spread of 7H x 7V
- Integrated visor that can reduce glare.
- Photocell pre-installed, shorting cap come with it for disable the photocell function.
- Two mounting options 1/2" knuckle mount and trunnion mount for the small & medium size
Slipfitter and trunnion mount for the large size.
- Suitable for wet locations.



SMALL 15W/27W



Product Performance Standard

Nema Type:	7H x 7V	Power Factor	90%
Weight	3LB	Life Span	50,000 Hrs
IP Rate	IP65	Dimmable	1-10V Dimmable
Color Temp	3CCT 30/40/50K	Efficacy	Up to 150 lm/W
CRI	70	Warranty	5 Years
Input Voltage	120-277V	Ambient Operation Temperature	-40C° (-40°F) ~ 40° (104°F)

Ordering Guide

Example: USFL1-27W3CCT-TM-15W-PC

Fixture Type	Wattage	Color Temp.	Mounting	Max Wattage	Finish	Accessories
USFL1	UW Wattage Selectable	3CCT 3000K/4000K/5000K	KN =Knuckle TM =Trunnion	15W = Maximum Wattage 15W 27W = Maximum Wattage 27W	Blank = Dark Bronze	PC = Photocell (-WPPC) (Included)

USFL1 Series

Wattage Selectable & 3CCT Flood Light

Fixture Type:

Project Name:

Location:

Date:

Mounting Options:



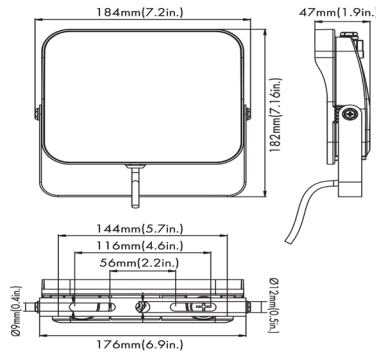
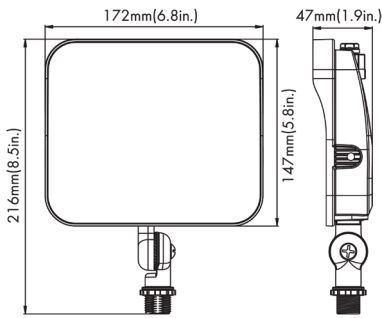
1/2" Knuckle Mount



Trunnion Mount

(15W/27W)

Dimension:



Performance Data

USFL1-UW3CCT-15W

	3000K		4000K		5000K	
WATTAGE	LUMEN	EFFICACY	LUMEN	EFFICACY	LUMEN	EFFICACY
15W	2050lm	137lm/W	2100lm	140lm/W	2300lm	153lm/W
12W	1572lm	131lm/W	1590lm	132lm/W	1790lm	149lm/W
10W	1240lm	124lm/W	1255lm	125lm/W	1455lm	145lm/W
6W	726lm	121lm/W	743lm	123lm/W	943lm	157lm/W

USFL1 Series

Wattage Selectable & 3CCT Flood Light

Fixture Type:
Project Name:
Location:
Date:

USFL1-UW3CCT-27W

WATTAGE	3000K		4000K		5000K	
	LUMEN	EFFICACY	LUMEN	EFFICACY	LUMEN	EFFICACY
27W	3490lm	129lm/W	3500lm	129lm/W	3600lm	133lm/W
20W	2780lm	139lm/W	2800lm	140lm/W	2856lm	149lm/W
15W	2175lm	145lm/W	2200lm	146lm/W	2234lm	145lm/W
11W	1640lm	149lm/W	1650lm	150lm/W	1690lm	157lm/W



High reflective white reflector and tempered glass. Beam spread 7Hx7V NEMA type.

Photocell pre-installed, come with shorting cap to disable photocell function.

One piece die cast aluminum housing with dark bronze finish

Knuckle and trunnion mount for 15W/27W

