

LED FLOOD LIGHT

Installation Guide



WARNING

PLEASE READ ALL INSTRUCTIONS BEFORE ATTEMPTING INSTALLATION

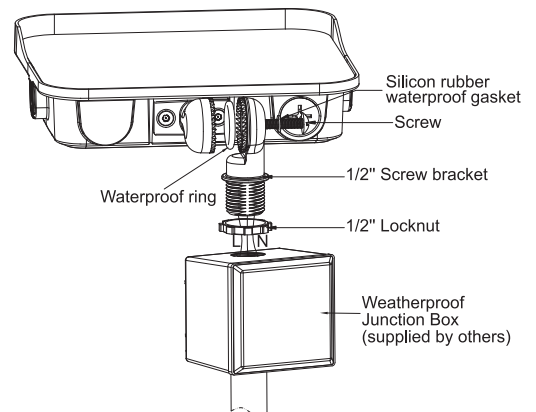
- To prevent personal injury or product damage only licensed electricians should install.
- To avoid electric shock or component damage disconnect power before attempting installation or servicing.
- This product must be installed in accordance with the national electric code (NEC) and all applicable federal, state and local electric codes and safety standards.
- Disconnect product and allow cooling prior to servicing.
- Any alteration or modification of this product is expressly forbidden as it may cause serious personal injury, death, property damage and/or product malfunction.
- To prevent product malfunction and/or electrical shock this product must be properly grounded.
- LIMIT RANGE OF ADJUSTMENT TO:
 - Suitable for operation in ambient temperatures ranging from -40°C to 40°C .
 - This product must be installed in accordance with the applicable installation code by a person familiar with the construction and operation of the product and the hazards involved.
 - Min 75°C supply conductors.
 - Suitable for mounting within 1.2 m (4 ft) of the ground
 - This product is not available for several special environments, such as places with corrosive gas liquids or high pressure water vapor.

Installation Guide

1/2" NPS Knuckle Mount optional ground stake mount pole top fitter mount

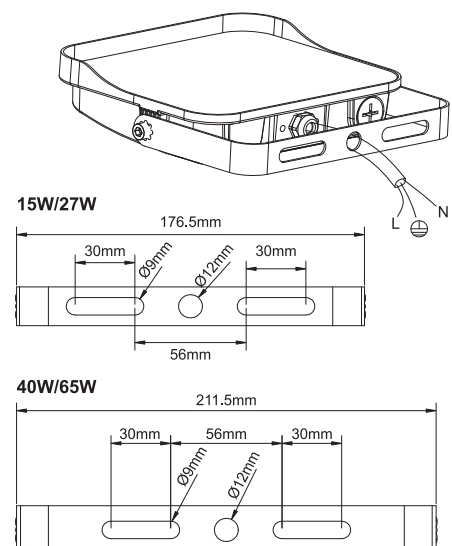
1. Install the fixture by knuckle bracket on the weatherproof Junction Box (supplied by others), and secure it by 1/2" locknut.
2. Make electrical connections from the supply ground (L/N/GND) lead to fixture ground (L/N/GND) lead respectively, making sure to follow all National Electrical Code and all applicable local codes and ordinances
3. Aim fixture by loosening screw on knuckle of fitter and rotating fixture to desired tilt angle. Re-tighten screw.
4. While making electrical connections, ensuring water does not enter fixture through 1/2" fitter.
5. Installation and service of luminaires should be performed by a qualified licensed electrician.

CAUTION: Seal the 1/2" NPS thread using weatherproof silicone sealant while installing. This is especially important.



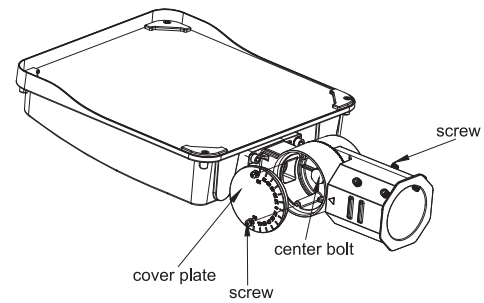
Trunnion Mounting

1. Mount fixture onto surface using the hole pattern provided on the trunnion bracket.
2. Make electrical connections from the supply ground (L/N/GND) lead to fixture ground (L/N/GND) lead respectively, making sure to follow all National Electrical Code and all applicable local codes and ordinances
3. Aim fixture by loosening screw on knuckle of fitter and rotating fixture to desired tilt angle. Re-tighten screw.
4. While making electrical connections, ensuring water does not enter fixture through 1/2" fitter.
5. Installation and service of luminaires should be performed by a qualified licensed electrician.



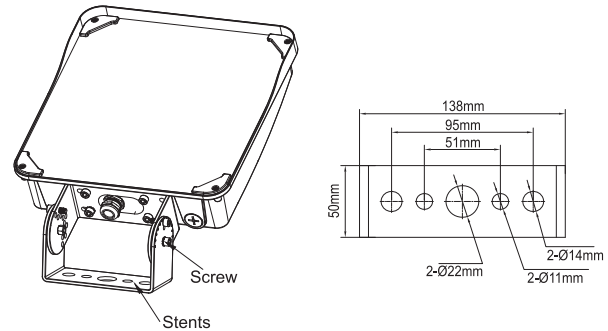
Slipfitter Mounting

1. Connect the wires to L / N / GND
2. remove the cover and adjust the bracket to the desired angle
3. Install the bracket on the pole and fix it with screws



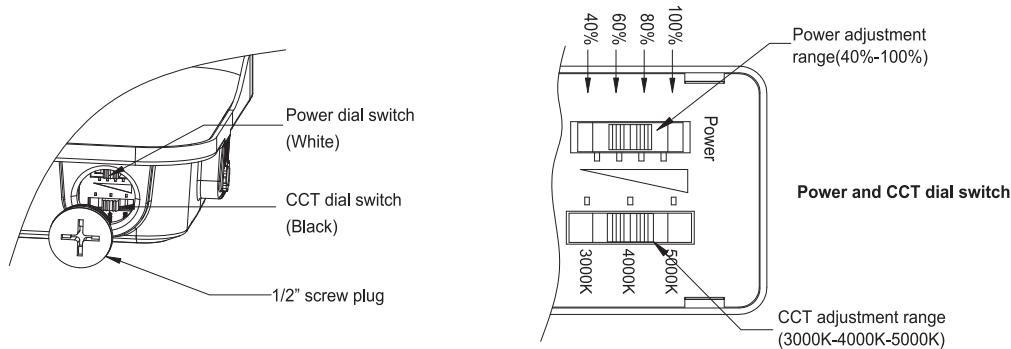
Yoke Mounting

1. Connect the wires to L / N / GND
2. Mount fixture to surface using the hole pattern provided on the trunnion bracket.
3. Loosen center bolts and set screw.
4. Rotate fixture to desired aiming position and tighten center bolts.
5. Tighten set screw.
6. Refer to wiring diagrams for power connection.



Power and CCT selectable version

1. Remove the 1/2" screw plug on the bottom of the fixture.
2. Select Power(White) and CCT(Black) by sliding the respective switch to the desired value according to the figure.
3. Replace the 1/2" screw plug and tighten with a flat head screwdriver.



TROUBLESHOOTING

Turn off power before continuing.

1. Light does not come ON.
 - A. Check if circuit breaker tripped.
 - B. Confirm wall switch is ON.
 - C. Check that if the wiring to the unit is loose.
 - D. Check that the line voltage at the fixture is correct.
 - E. Confirm wiring is properly secured.
 2. Light cycles ON and OFF continuously.
 - A. Check the photocell if sensing reflected light.
 3. Light stays ON.
 - A. Be sure the photocell, if used, is functioning properly.
- If light still does not work after checking, contact customer service.

WIRING DIAGRAM

For 1-10V dimming version, please check wiring diagram below.

