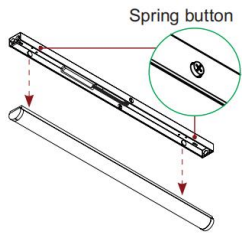
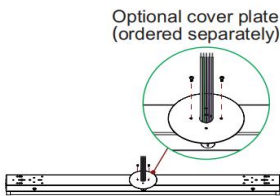
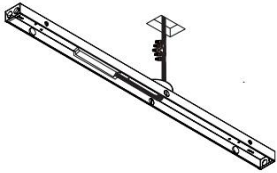
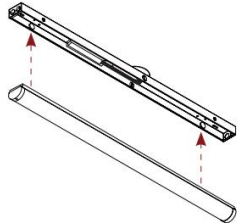
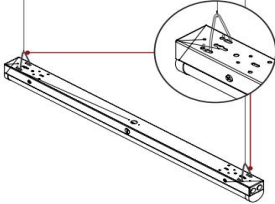
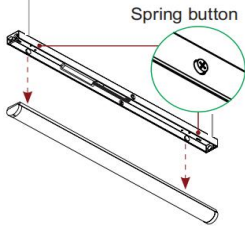
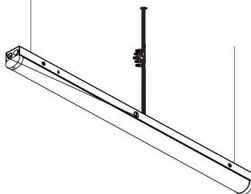
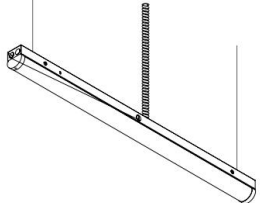


# LINEAR STRIP LIGHT Installation Guide

## ❖ Surface mounted

 <p><b>Step 1:</b> Install appropriate anchors into the ceiling or wall, if needed. Pinch spring buttons to remove the lens.</p>	 <p><b>Step 2:</b> Optional junction box cover plate may be used.</p>	 <p><b>Step 3:</b> Route power cord through cover plate and wire accordingly with wire nuts inside junction box.</p>	 <p><b>Step 4:</b> Replace the lens by pushing upward and secure with spring buttons.</p>
--	---	---	---

## ❖ Chain installation

 <p><b>Step 1:</b> Attach aircraft cable to each hook and insert hooks into the mounting holes.</p>	 <p><b>Step 2:</b> Pinch spring buttons to remove the lens and connect wire (if needed) Route power cord and wire according to wire nuts inside junction box.</p>	 <p><b>Step 3:</b> Attach the aircraft cable to the ceiling and adjust lengths until luminaire is level and secure.</p>	 <p><b>Step 4:</b> Installation is completed.</p>
--	--	---	--