

# UHB4 Series

## LED UFO HIGH BAY

### Fixture Type:

Project Name

Location:

Date:

### Features

- UHB4 is a compact and streamlined designed, which allows for efficient heat dissipation and better airflow
- Durable die-cast aluminum housing with corrosion-resistant black powder coating which prolong the lifespan of the LEDs and ensure reliable performance over an extend period.
- Anti-UV prismatic translucent lens is specially designed to shape light uniformly and control glare
- Wattage selectable provide flexibility in lighting design, allowing you to customize the illumination levels for different areas and tasks.
- Single color temperature 4000K or 5000K
- Available for hook mount(Default)/pendant mount(3/4" conduit size)(optional)/surface mount(Optional)
- IP65 rating suitable for wet location.
- The LED driver built in 6KV surge protector, it safeguards the entire lighting fixture from power surges caused by voltage spikes and current surges.



### Product Performance Standard

Size	14.1 in x 7.5 in	Power Cord length	6 FT
Weight	12 lb	Conduit Size	3/4 inch
IP Rate	IP65	Dimmable	1-10V Dimmable
Color Temp	40K/50K	Efficacy	Up to 140 lm/W
CRI	70	Warranty	5 Years
Input Voltage	120-277V	Ambient Operation Temperature	-40C° (-40°F) ~ 45C° (113°F)

### Ordering Guide

Example: UHB4-UW40K235W

Fixture Type	Wattage	Color Temp.	Maximum Wattage	Motion & EM	Accessories
UHB4	UW = Wattage Selectable	40K=4000K 50K=5000K	235W = Maximum wattage 235W	Blank = No MS or EM EM = Emergency battery backup MS01 (SKU:HD09V-PIR) =12VDC Plug and Play PIR manually setup capable motion sensor 3.5mm audio plug	Blank = No Acces-sories UHB3-ALREFELECTOR =Aluminum Reflector 1U-BRACKET-UHB3 = U Bracket for Surface mount

1.U-BRACKET is not supported when EM installed.

# UHB4 Series

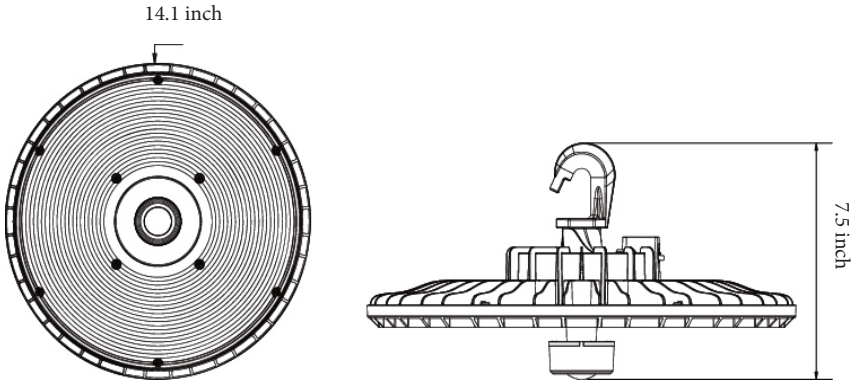
LED UFO High Bay

<b>Fixture Type:</b>
<b>Project Name</b>
<b>Location:</b>
<b>Date:</b>

## Product Information

WATTAGE	4000K		5000K	
	LUMEN	EFFICACY	LUMEN	EFFICACY
235W	40000lm	170lm/W	40000lm	170lm/W
188W	33000lm	176lm/W	33000lm	176lm/W
141W	25500lm	181lm/W	25500lm	181lm/W
94W	17500lm	186lm/W	17500lm	186lm/W

## Dimensions



235W

# UHB4 Series

LED UFO High Bay

<b>Fixture Type:</b>
<b>Project Name</b>
<b>Location:</b>
<b>Date:</b>

## Optional Accessories



### PIR Plug and Play Manually Adjustable Motion Sensor 12V 3.5mm audio plug SKU:HD09V-PIR

- 3.5mm audio plug passive infrared motion sensor.
- With daylight harvesting and photocell function.
- The rotating switch is built into the motion sensor and allows you to manually adjust the standby dimming level and hold time without needing a remote control.
- Configure setting by remote control HD06R (sold separately).
- Default setting Detection Area - 100%, Hold time - 5S, Daylight Threshold disable Standby Period - 0S, Standby Dimming Level - 10%.



### External Emergency Battery Backup - SKU:EMBK-UHB3-25W(For 235W)

- External battery backup is field installed only
- 90 minutes emergency operation



### External Emergency Battery Backup - SKU:EMBK-UHB-32W

- External battery backup is field install.
- 90 minutes emergency operation, provide up to 4,200 lm



### Aluminum Reflector -SKU: UHB3-ALREFLECTOR



### U-Bracket -SKU:U-BRACKET-UHB3

For the accessories detail, please visit [www.lironlighting.com/product\\_categories/add-on-accessories](http://www.lironlighting.com/product_categories/add-on-accessories)