

# UHB3 Series

## LED UFO HIGH BAY

**Fixture Type:**

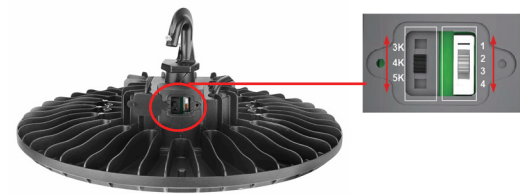
**Project Name**

**Location:**

**Date:**

### Features

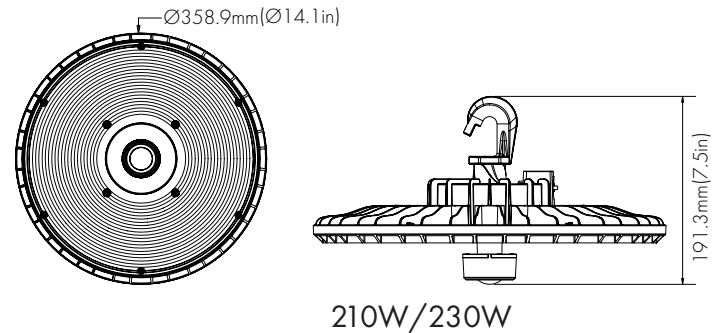
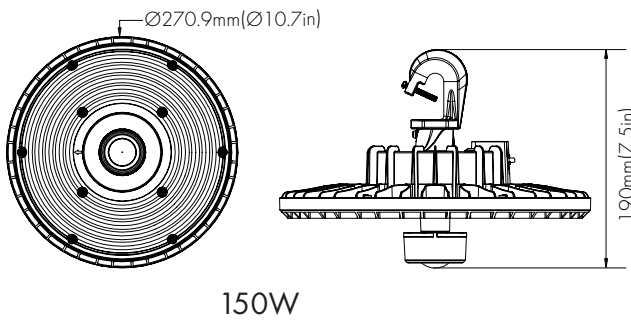
- UHB3 is a compact and streamlined designed, which allows for efficient heat dissipation and better airflow.
- Durable die-cast aluminum housing with corrosion-resistant black powder coating which prolong the lifespan of the LEDs and ensure reliable performance over an extend period.
- Anti-UV prismatic translucent lens is specially designed to shape light uniformly and control glare.
- Wattage selectable provide flexibility in lighting design, allowing you to customize the illumination levels for different areas and tasks.
- 2CCT color temperature adjustable 4000K/5000K.
- Standard voltage 120-277V, optional Step down auto transformer allowing fixtures to be safely operated in 277-480V.
- Available for hook mount/pendant mount(3/4" conduit size)/surface mount.
- IP65 rating suitable for wet location.
- Lenses meet the IK09 rated, providing exceptional durability and resistance to impacts, ensuring safety and reliability in challenging environments.



Easy to access the lumen output and color temperature switch on-site.



### Dimensions



### Specification

<b>Material</b>	Die cast aluminum housing with black powder coat finish	<b>Efficacy</b>	Over 150 lm/W
<b>Lens</b>	Anti-UV prismatic translucent lens	<b>LED Life Span</b>	50,000 hour LED lifespan based on TM-21 calculation
<b>Beam angle</b>	100 degree	<b>Dimmable</b>	0-10V Dimming
<b>IColor Temp</b>	2CCT 4000K/5000K	<b>Lumen Package</b>	10,800 lm to 36,000 lm
<b>CRI</b>	70	<b>Warranty</b>	5 Years
<b>Input Voltage</b>	Standard 120-277V Optional step down transformer use for 277-480V.	<b>Ambient Operation Temperature</b>	-40°C (-40°F) to 50°C (122°F)
<b>Installation</b>	Cord length 6ft (default) Hook mount ( default) Pendant mount(optional) Surface mount(optional)	<b>Listing</b>	DLC Premium UL Listed Wet location IK09

# UHB3 Series

LED UFO HIGH BAY

**Fixture Type:**

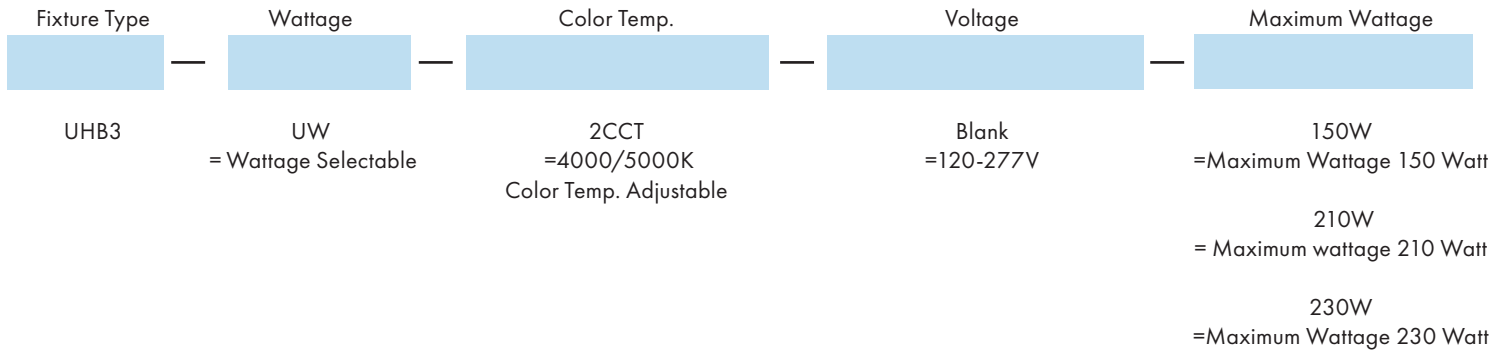
**Project Name**

**Location:**

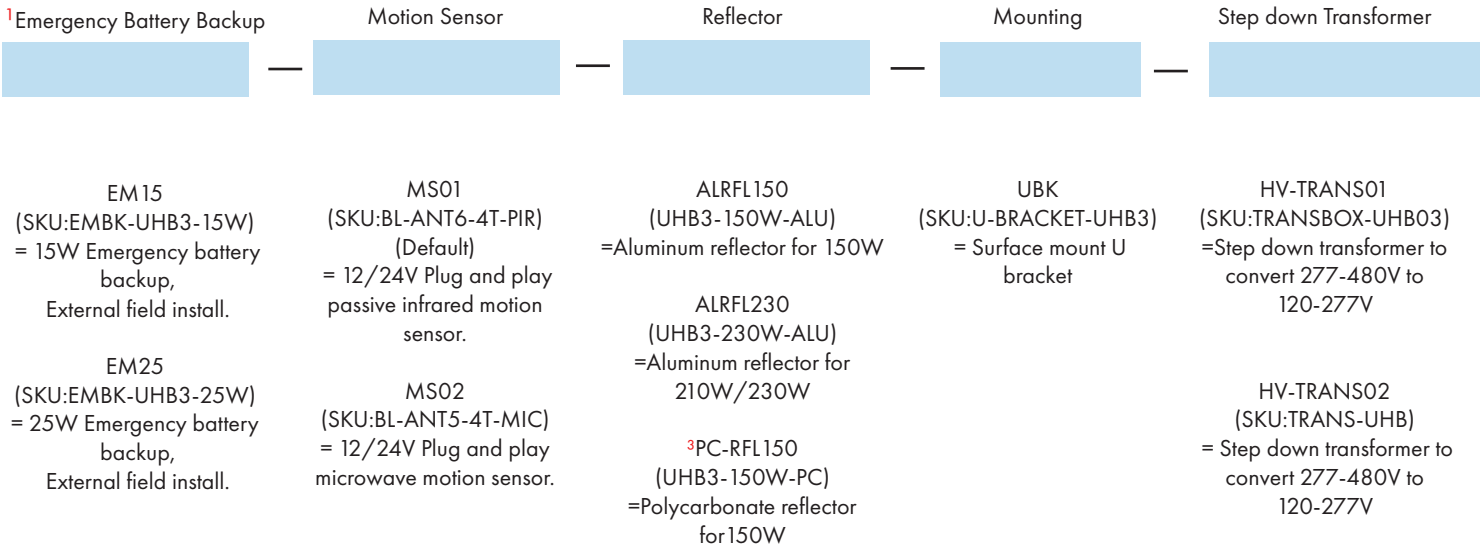
**Date:**

## Ordering Guide

Example: UHB3-UW2CCT-150W-HV-MS01-EM01-ALRFL150



## Optional Accessories



Note: 1. EM15 suitable for 150W, EM25 suitable for 210W and 230W.

2. U bracket is not support, when emergency battery backup is installed.

3. PC reflector only suitable for 150W.

# UHB3 Series

LED UFO High Bay

**Fixture Type:**

**Project Name**

**Location:**

**Date:**

## Product Information

4000K			5000K	
WATTAGE	LUMEN	EFFICACY	LUMEN	EFFICACY
230W	36000lm	157lm/W	35000lm	152lm/W
184W	30000lm	163lm/W	29000lm	158lm/W
138W	24000lm	174lm/W	23000lm	167lm/W
92W	16500lm	179lm/W	16000lm	174lm/W

4000K			5000K	
WATTAGE	LUMEN	EFFICACY	LUMEN	EFFICACY
210W	30500lm	145lm/W	32000lm	152lm/W
168W	25000lm	149lm/W	26500lm	158lm/W
126W	20000lm	159lm/W	21000lm	167lm/W
84W	14000lm	167lm/W	14500lm	173lm/W

4000K			5000K	
WATTAGE	LUMEN	EFFICACY	LUMEN	EFFICACY
150W	24000lm	160lm/W	22500lm	150lm/W
120W	20000lm	167lm/W	19000lm	158lm/W
90W	15500lm	172lm/W	14600lm	162lm/W
60W	10800lm	180lm/W	10000lm	167lm/W

# UHB3 Series

LED UFO High Bay

**Fixture Type:**

**Project Name**

**Location:**

**Date:**

## Optional Accessories



### Plug and play PIR Motion Sensor

- SKU: BL-ANT6-4T-PIR

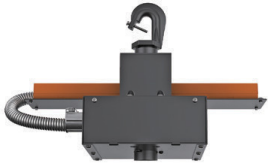
- 12/24V Passive infrared motion sensor plug and play motion sensor



### Plug and play Microwave Motion Sensor

- SKU: BL-ANT5-4T-MIC

- 12/24V Microwave motion sensor plug and play motion sensor

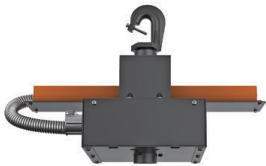


### External Emergency Battery Backup

- SKU:EMBK-UHB3-15W ( For UHB3-150W)

- External battery backup is field install.

- 90 minutes emergency operation, provide over 2,250 lm



### External Emergency Battery Backup

- SKU:EMBK-UHB3-25W ( For UHB3-210W/230W)

- External battery backup is field install.

- 90 minutes emergency operation, provide over 3,750 lm



### Aluminum Reflector

- SKU: UHB3-150W-ALU / UHB3-230W-ALU

- Aluminum reflector



### PC Reflector

- SKU: UHB3-150W-PC

- PC reflector only suitable 150W fixture.



### U-Bracket

-SKU: U-BRACKET-UHB3

-Use for surface mount

# UHB3 Series

LED UFO High Bay

**Fixture Type:**

**Project Name**

**Location:**

**Date:**

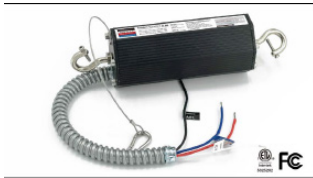
## Optional Accessories



### Step down transformer 01

- **SKU: TRANSBOX-UHB3**

- Step down auto transformer allowing fixtures to be safely operated in high voltage environments.



### Step down transformer 02

- **SKU: TRANS-UHB**

- Step down auto transformer allowing fixtures to be safely operated in high voltage environments.

-480V to 208V or 347V to 150V or 277V to 120V

# UHB3 Series

LED UFO High Bay

<b>Fixture Type:</b>
<b>Project Name</b>
<b>Location:</b>
<b>Date:</b>

## Mounting



Hook mount (Default)

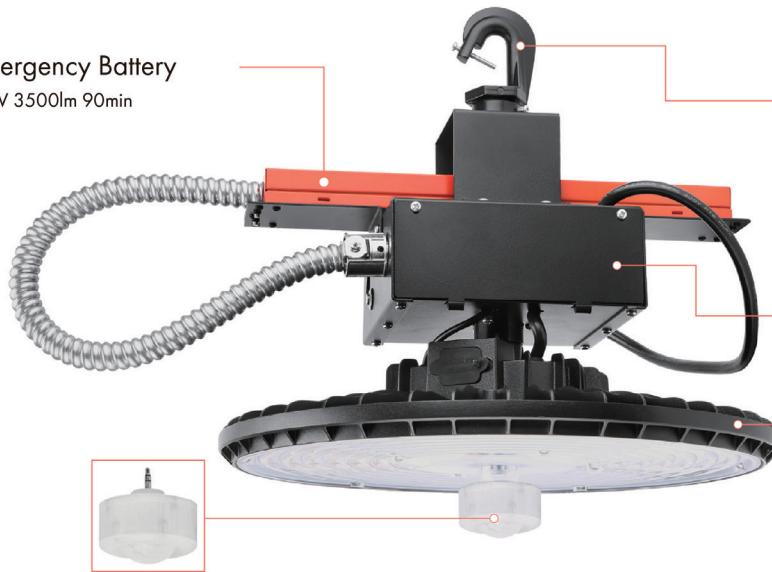
Pendant mount

Surface mount



**Plug-and-Play Sensor (optional)**  
Sensor allows for security and energy saving.

**Emergency Battery**  
25W 3500lm 90min



**Installation accessory**  
Available for both hook mount, conduit mount and surface mounting with U-bracket(optional).  
U-bracket allows to adjust the direction to illuminate any area you need.

**Transformer BOX**  
Transformer can be easily added into the Junction-box and convert to HV models, reducing SKUs and inventory pressure.

**Housing**  
Rugged die-cast housing with corrosion-resistant powder coating for effective protection.