

UHB3 Series

LED UFO HIGH BAY

Fixture Type:

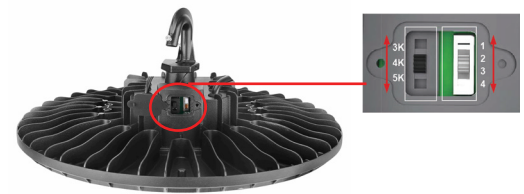
Project Name

Location:

Date:

Features

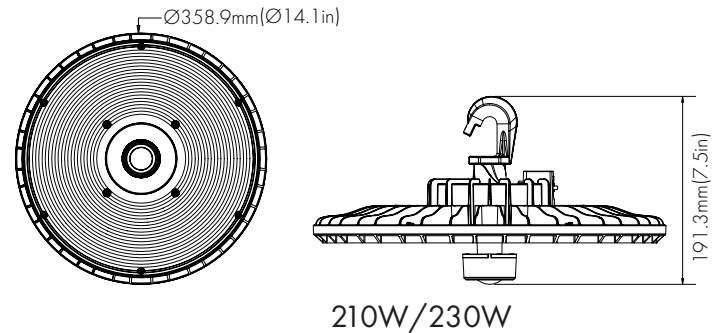
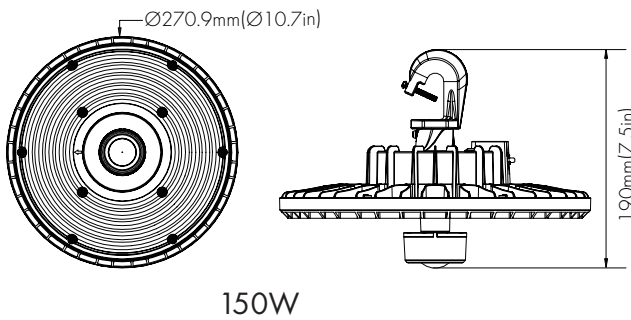
- UHB3 is a compact and streamlined designed, which allows for efficient heat dissipation and better airflow.
- Durable die-cast aluminum housing with corrosion-resistant black powder coating which prolong the lifespan of the LEDs and ensure reliable performance over an extend period.
- Anti-UV prismatic translucent lens is specially designed to shape light uniformly and control glare.
- Wattage selectable provide flexibility in lighting design, allowing you to customize the illumination levels for different areas and tasks.
- 2CCT color temperature adjustable 4000K/5000K.
- Standard voltage 120-277V, optional Step down auto transformer allowing fixtures to be safely operated in 277-480V.
- Available for hook mount/pendant mount(3/4" conduit size)/surface mount.
- IP65 rating suitable for wet location.
- Lenses meet the IK09 rated, providing exceptional durability and resistance to impacts, ensuring safety and reliability in challenging environments.



Easy to access the lumen output and color temperature switch on-site.



Dimensions



Specification

Material	Die cast aluminum housing with black powder coat finish	Efficacy	Over 150 lm/W
Lens	Anti-UV prismatic translucent lens	LED Life Span	50,000 hour LED lifespan based on TM-21 calculation
Beam angle	100 degree	Dimmable	0-10V Dimming
IColor Temp	2CCT 4000K/5000K	Lumen Package	10,800 lm to 36,000 lm
CRI	70	Warranty	5 Years
Input Voltage	Standard 120-277V Optional step down transformer use for 277-480V.	Ambient Operation Temperature	-40°C (-40°F) to 50°C (122°F)
Installation	Cord length 6ft (default) Hook mount (default) Pendant mount(optional) Surface mount(optional)	Listing	DLC Premium UL Listed Wet location IK09

UHB3 Series

LED UFO HIGH BAY

Fixture Type:

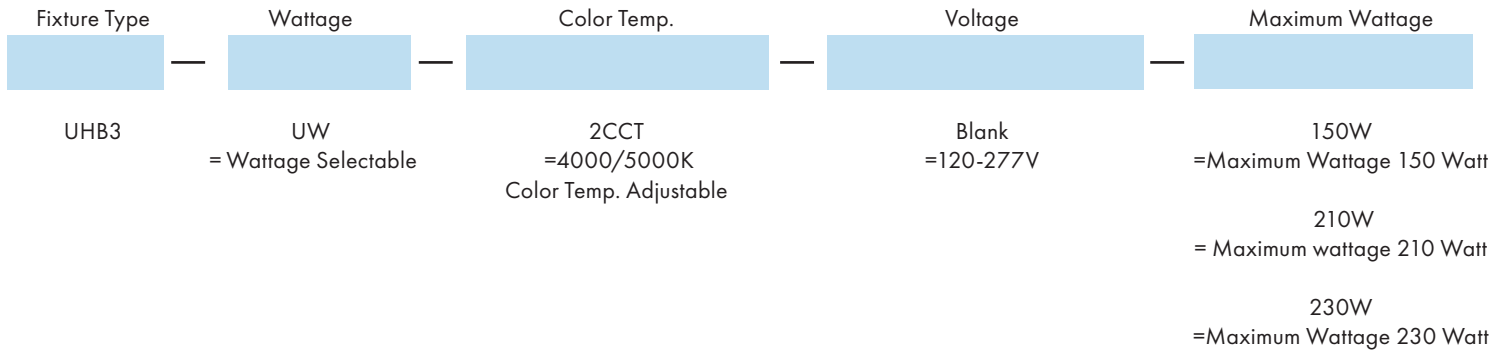
Project Name

Location:

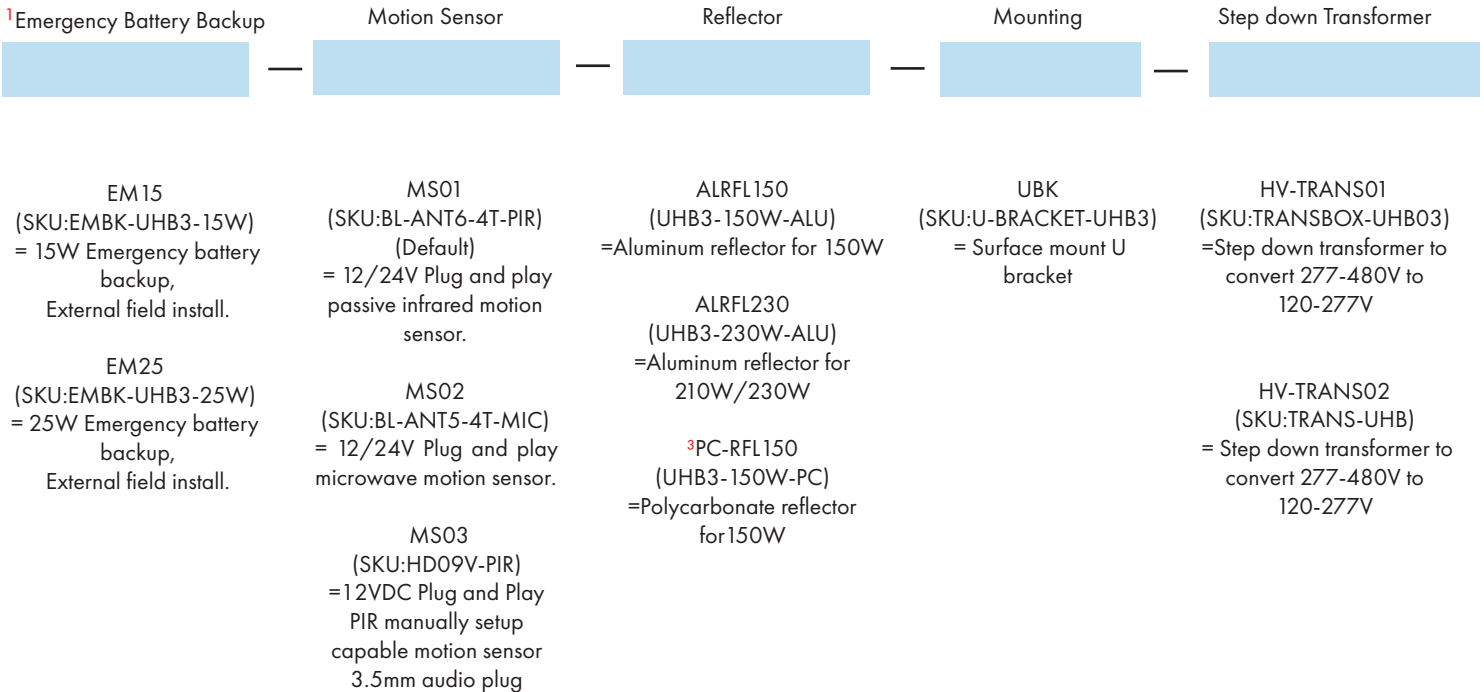
Date:

Ordering Guide

Example: UHB3-UW2CCT-150W-HV-MS01-EM01-ALRFL150



Optional Accessories



Note: 1. EM15 suitable for 150W, EM25 suitable for 210W and 230W.

2. U bracket is not support, when emergency battery backup is installed.

3. PC reflector only suitable for 150W.

UHB3 Series

LED UFO High Bay

Fixture Type:

Project Name

Location:

Date:

Product Information

4000K			5000K	
WATTAGE	LUMEN	EFFICACY	LUMEN	EFFICACY
230W	36000lm	157lm/W	35000lm	152lm/W
184W	30000lm	163lm/W	29000lm	158lm/W
138W	24000lm	174lm/W	23000lm	167lm/W
92W	16500lm	179lm/W	16000lm	174lm/W

4000K			5000K	
WATTAGE	LUMEN	EFFICACY	LUMEN	EFFICACY
210W	30500lm	145lm/W	32000lm	152lm/W
168W	25000lm	149lm/W	26500lm	158lm/W
126W	20000lm	159lm/W	21000lm	167lm/W
84W	14000lm	167lm/W	14500lm	173lm/W

4000K			5000K	
WATTAGE	LUMEN	EFFICACY	LUMEN	EFFICACY
150W	24000lm	160lm/W	22500lm	150lm/W
120W	20000lm	167lm/W	19000lm	158lm/W
90W	15500lm	172lm/W	14600lm	162lm/W
60W	10800lm	180lm/W	10000lm	167lm/W

Fixture Type:

Project Name

Location:

Date:

Optional Accessories



Plug and play PIR Motion Sensor

- **SKU: BL-ANT6-4T-PIR**

- 12/24V Passive infrared motion sensor plug and play motion sensor



Plug and play Microwave Motion Sensor

- **SKU: BL-ANT5-4T-MIC**

- 12/24V Microwave motion sensor plug and play motion sensor

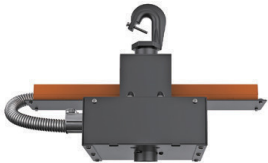


PIR Plug and Play Manually Adjustable Motion Sensor 12V 3.5mm audio plug SKU:HD09V-PIR

- 3.5mm audio plug passive infrared motion sensor.

- With daylight harvesting and photocell function.

- The rotating switch is built into the motion sensor and allows you to manually adjust the standby dimming level and hold time without needing a remote control.

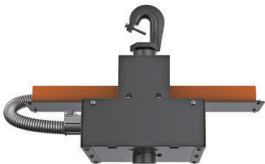


External Emergency Battery Backup

- **SKU:EMBK-UHB3-15W (For UHB3-150W)**

- External battery backup is field install.

- 90 minutes emergency operation, provide over 2,250 lm



External Emergency Battery Backup

- **SKU:EMBK-UHB3-25W (For UHB3-210W/230W)**

- External battery backup is field install.

- 90 minutes emergency operation, provide over 3,750 lm



Aluminum Reflector

- **SKU: UHB3-150W-ALU / UHB3-230W-ALU**

- Aluminum reflector

UHB3 Series

LED UFO High Bay

Fixture Type:

Project Name

Location:

Date:

Optional Accessories



PC Reflector

- SKU: UHB3-150W-PC

- PC reflector only suitable 150W fixture.



U-Bracket

-SKU: U-BRACKET-UHB3

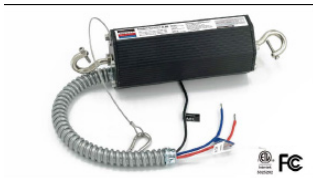
-Use for surface mount



Step down transformer 01

- SKU: TRANSBOX-UHB3

- Step down auto transformer allowing fixtures to be safely operated in high voltage environments.



Step down transformer 02

- SKU: TRANS-UHB

- Step down auto transformer allowing fixtures to be safely operated in high voltage environments.

-480V to 208V or 347V to 150V or 277V to 120V

UHB3 Series

LED UFO High Bay

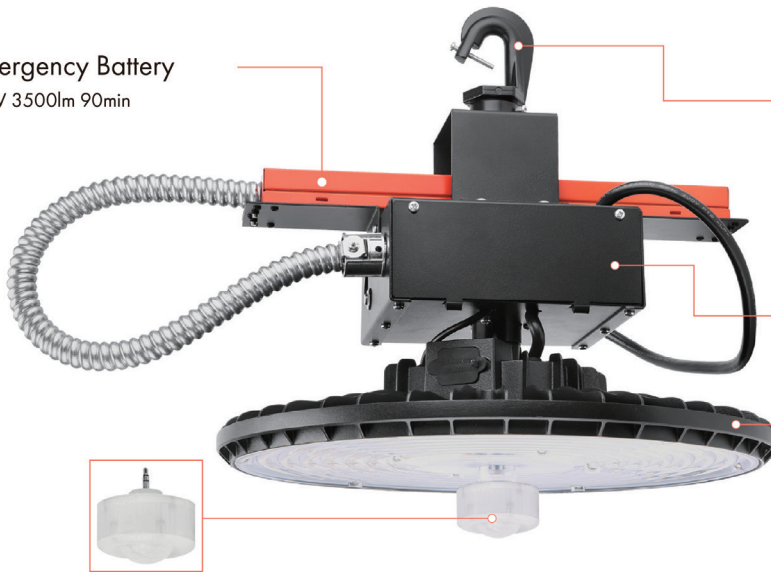
Fixture Type:
Project Name
Location:
Date:

Mounting



Plug-and-Play Sensor (optional)
Sensor allows for security and energy saving.

Emergency Battery
25W 3500lm 90min



Installation accessory
Available for both hook mount, conduit mount and surface mounting with U-bracket(optional).
U-bracket allows to adjust the direction to illuminate any area you need.

Transformer BOX
Transformer can be easily added into the Junction-box and convert to HV models, reducing SKUs and inventory pressure.

Housing
Rugged die-cast housing with corrosion-resistant powder coating for effective protection.