

# UHB3 Series

## LED UFO HIGH BAY

**Fixture Type:**

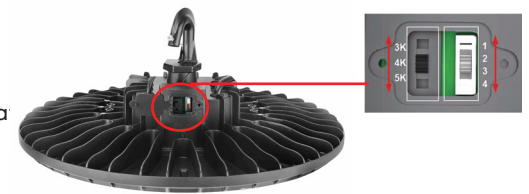
**Project Name**

**Location:**

**Date:**

### Features

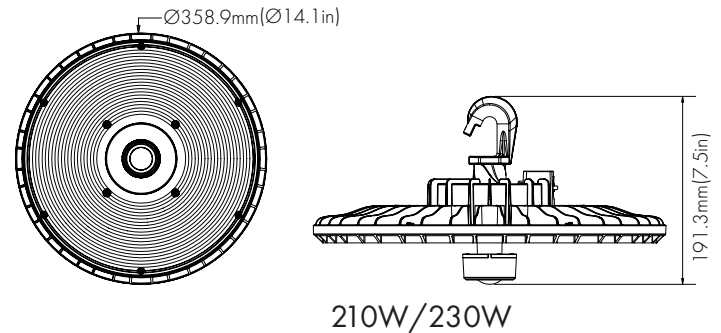
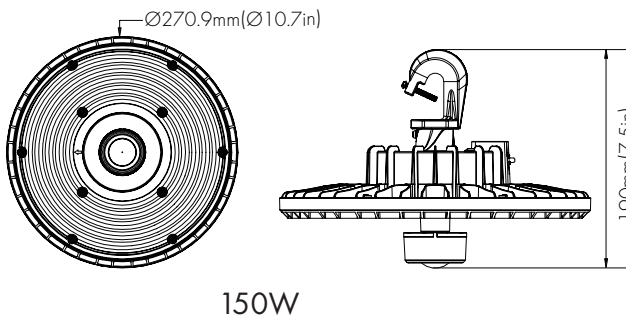
- Durable die-cast aluminum housing with corrosion-resistant black powder coating which prolong the lifespan of the LEDs and ensure reliable performance over an extend period.
- Anti-UV prismatic translucent lens is specially designed to shape light uniformly and control glare.
- Wattage selectable provide flexibility in lighting design, allowing you to customize the illumination levels for different areas and tasks.
- 2CCT color temperature adjustable 4000K/5000K.
- Standard voltage 120-277V, optional Step down auto transformer allowing fixtures to be safely operated in 277-480V.
- Available for hook mount/pendant mount(3/4" conduit size)/surface mount.
- IP65 rating suitable for wet location.
- Lenses meet the IK09 rated, providing exceptional durability and resistance to impacts, ensuring sa and reliability in challenging environments.
- The LED driver built in 6KV surge protector, it safeguards the entire lighting fixture from power surge. caused by voltage spikes and current surges.



Easy to access the lumen output and color temperature switch on-site.



### Dimensions



### Specification

<b>Material</b>	Die cast aluminum housing with black powder coat finish	<b>Efficacy</b>	Over 150 lm/W
<b>Lens</b>	Anti-UV prismatic translucent lens	<b>LED Life Span</b>	50,000 hour LED lifespan based on TM-21 calculation
<b>Beam angle</b>	100 degree	<b>Dimmable</b>	0-10V Dimming
<b>IColor Temp</b>	2CCT 4000K/5000K	<b>Lumen Package</b>	10,800 lm to 36,000 lm
<b>CRI</b>	70	<b>Warranty</b>	5 Years
<b>Input Voltage</b>	Standard 120-277V Optional step down transformer use for 277-480V.	<b>Ambient Operation Temperature</b>	-40°C (-40°F) to 50°C (122°F)
<b>Installation</b>	Cord length 6ft (default) Hook mount ( default) Pendant mount(optional) Surface mount(optional)	<b>Listing</b>	DLC Premium UL Listed Wet location IK09

# UHB3 Series

LED UFO HIGH BAY

## Fixture Type:

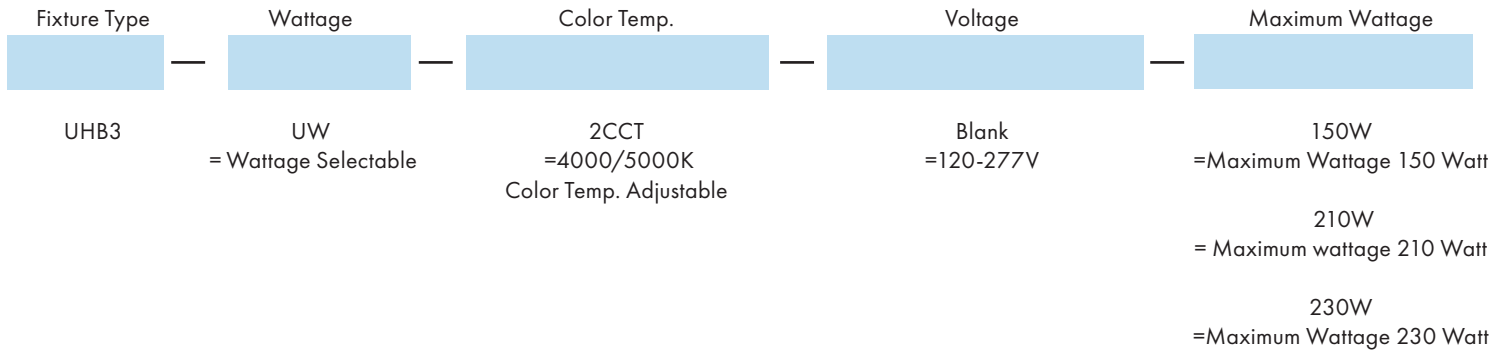
Project Name

Location:

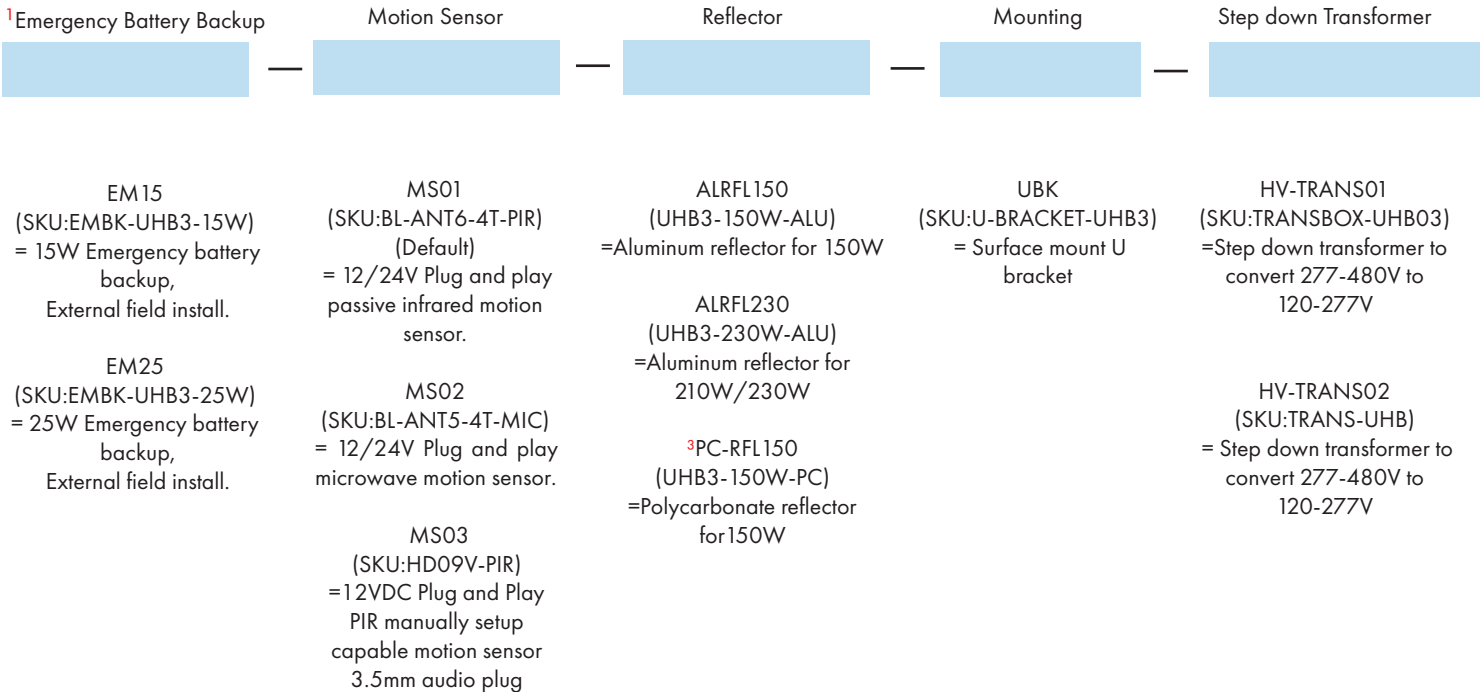
Date:

## Ordering Guide

Example: UHB3-UW2CCT-150W-HV-MS01-EM01-ALRFL150



## Optional Accessories



Note: 1. EM15 suitable for 150W, EM25 suitable for 210W and 230W, Emergency battery backup only suitable 120-277V.

2. U bracket is not support, when emergency battery backup is installed.

3. PC reflector only suitable for 150W.

# UHB3 Series

LED UFO High Bay

<b>Fixture Type:</b>
<b>Project Name</b>
<b>Location:</b>
<b>Date:</b>

## Product Information

4000K			5000K	
WATTAGE	LUMEN	EFFICACY	LUMEN	EFFICACY
230W	36000lm	157lm/W	35000lm	152lm/W
184W	30000lm	163lm/W	29000lm	158lm/W
138W	24000lm	174lm/W	23000lm	167lm/W
92W	16500lm	179lm/W	16000lm	174lm/W

4000K			5000K	
WATTAGE	LUMEN	EFFICACY	LUMEN	EFFICACY
210W	30500lm	145lm/W	32000lm	152lm/W
168W	25000lm	149lm/W	26500lm	158lm/W
126W	20000lm	159lm/W	21000lm	167lm/W
84W	14000lm	167lm/W	14500lm	173lm/W

4000K			5000K	
WATTAGE	LUMEN	EFFICACY	LUMEN	EFFICACY
150W	24000lm	160lm/W	22500lm	150lm/W
120W	20000lm	167lm/W	19000lm	158lm/W
90W	15500lm	172lm/W	14600lm	162lm/W
60W	10800lm	180lm/W	10000lm	167lm/W

**Fixture Type:**

**Project Name**

**Location:**

**Date:**

## Optional Accessories



### Plug and play PIR Motion Sensor

- **SKU: BL-ANT6-4T-PIR**

- 12/24V Passive infrared motion sensor plug and play motion sensor



### Plug and play Microwave Motion Sensor

- **SKU: BL-ANT5-4T-MIC**

- 12/24V Microwave motion sensor plug and play motion sensor

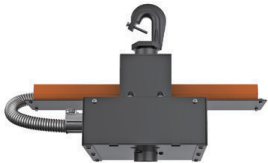


### PIR Plug and Play Manually Adjustable Motion Sensor 12V 3.5mm audio plug SKU:HD09V-PIR

- 3.5mm audio plug passive infrared motion sensor.

- With daylight harvesting and photocell function.

- The rotating switch is built into the motion sensor and allows you to manually adjust the standby dimming level and hold time without needing a remote control.

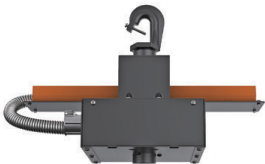


### External Emergency Battery Backup

- **SKU:EMBK-UHB3-15W ( For UHB3-150W)**

- External battery backup is field install.

- 90 minutes emergency operation, provide over 2,250 lm



### External Emergency Battery Backup

- **SKU:EMBK-UHB3-25W ( For UHB3-210W/230W)**

- External battery backup is field install.

- 90 minutes emergency operation, provide over 3,750 lm



### Aluminum Reflector

- **SKU: UHB3-150W-ALU / UHB3-230W-ALU**

- Aluminum reflector

# UHB3 Series

LED UFO High Bay

**Fixture Type:**

**Project Name**

**Location:**

**Date:**

## Optional Accessories



### PC Reflector

- SKU: UHB3-150W-PC

- PC reflector only suitable 150W fixture.



### U-Bracket

-SKU: U-BRACKET-UHB3

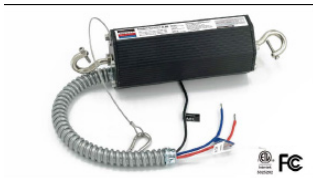
-Use for surface mount



### Step down transformer 01

- SKU: TRANSBOX-UHB3

- Step down auto transformer allowing fixtures to be safely operated in high voltage environments.



### Step down transformer 02

- SKU: TRANS-UHB

- Step down auto transformer allowing fixtures to be safely operated in high voltage environments.

-480V to 208V or 347V to 150V or 277V to 120V

# UHB3 Series

LED UFO High Bay

<b>Fixture Type:</b>
<b>Project Name</b>
<b>Location:</b>
<b>Date:</b>

## Mounting



Hook mount (Default)

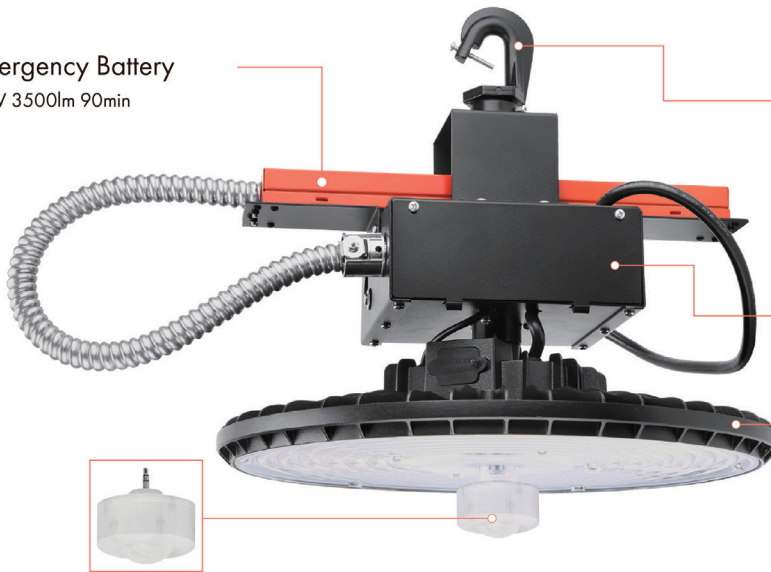
Pendant mount

Surface mount



**Plug-and-Play Sensor (optional)**  
Sensor allows for security and energy saving.

**Emergency Battery**  
25W 3500lm 90min



**Installation accessory**  
Available for both hook mount, conduit mount and surface mounting with U-bracket(optional).  
U-bracket allows to adjust the direction to illuminate any area you need.

**Transformer BOX**  
Transformer can be easily added into the Junction-box and convert to HV models, reducing SKUs and inventory pressure.

**Housing**  
Rugged die-cast housing with corrosion-resistant powder coating for effective protection.