

TFD Series

CCT & Wattage Adjustable Floating Air Troffer

Fixture Type:

Project Name:

Location:

Date:

Features

- Floating air style LED troffer available in 2'x2' and 2'x4'
- Extruded aluminum housing
- Powder coat white finish
- Unique center shielding with round perf which provides uniform, low glare illumination for a clean look
- Wattage selectable 2'x2' 20W/30W/40W 2'x4' 30W/40W/50W
- 3CCT adjustable 3000K/3500K/4000K, 80 CRI
- Up to 110lm/W efficacy
- Recessed mount fit most T-grid system

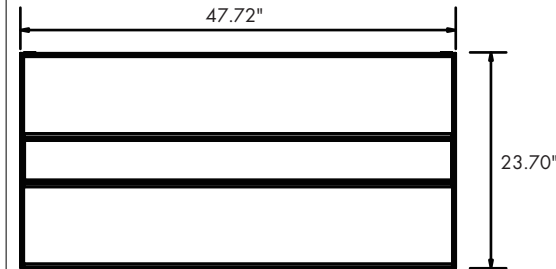
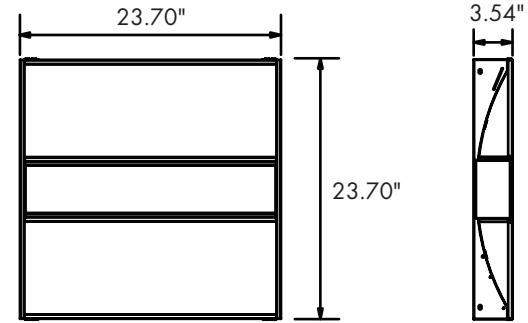


2x2



2x4

Dimensions



Product Performance Standard

Size	2' x 2' or 2' x 4' 3.54"	Power Factor	90%
Weight	5lbs/9lbs	Life Span	50,000 Hrs
IP Rate	Damp Location	Dimmable	1-10V Dimmable
Color Temp	3CCT 30K/35K/40K	Efficacy	Up to 110 lm/W
CRI	80	Warranty	5 Years
Input Voltage	100-277V	Ambient Operation Temperature	-20C° (-4°F) ~40C° (104°F)

Ordering Guide

Example: TFD-2x2UW3CCT40W-MS

Fixture Type	Size	Wattage	CCT	Wattage Options	Accessories
TFD	2x2 = 2'x2' 2x4 = 2'x4'	UW =20W/30W/40W(2X2) 30W/40W/50W(2X4)	3CCT = 30K/35K/40K	40W = Maximum Wattage 40W (2X2) 50W =Maximum Wattage 50W (2X4)	Blank = No accessories MS = Motion Sensor EM = Emergency Battery Backup

Updated: 3-29-2023



TFD Series

CCT & Wattage Adjustable Floating Air Troffer

Fixture Type:

Project Name:

Location:

Date:

Product Information

2'x2'		3000K		3500K		4000K	
WATTAGE	LUMEN	EFFICACY	LUMEN	EFFICACY	LUMEN	EFFICACY	
20W	2140lm	107m/W	2180lm	109lm/W	2200lm	110lm/W	
30W	3210lm	107m/W	3270lm	109lm/W	3300lm	110lm/W	
40W	4280lm	107m/W	4360lm	109lm/W	4400lm	110lm/W	

2'x4'		3000K		3500K		4000K	
WATTAGE	LUMEN	EFFICACY	LUMEN	EFFICACY	LUMEN	EFFICACY	
30W	3210lm	107m/W	3270lm	109lm/W	3300lm	110lm/W	
40W	4280lm	107m/W	4360lm	109lm/W	4400lm	110lm/W	
50W	5350lm	107m/W	5450lm	109lm/W	5500lm	110lm/W	

Optional Accessories



Internal emergency battery backup

- SKU:TFD-EMBK
- Internal emergency battery backup is pre-install by request.
- 6W provide 660 lumen in emergency operation for 90 minutes.



PIR Motion sensor

- SKU:TFD-MS
- Motion sensor is pre-installed by request.
- Line voltage daylight harvest /bi-level motion sensor

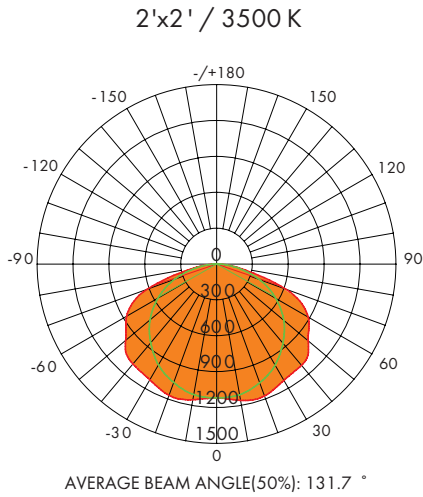
For the accessories detail, please visit www.lironlighting.com/product_categories/add-on-accessories

TFD Series

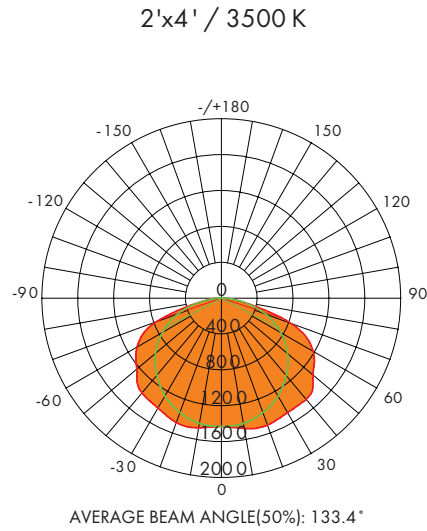
CCT & Wattage Adjustable Floating Air Troffer

Fixture Type:
Project Name:
Location:
Date:

Distribution Diagram

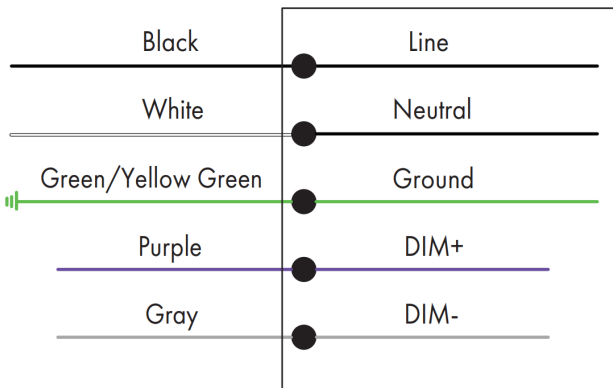


Test Number: TT22-DM-04W UNIT: cd
 Lumens: 4176.3 Lm - C0/180,142.4
 Watts: 37.54 W - C90/270,120.9
 LPW: 111.25 Lm/W
 CCT: 3500K



Test Number: TT24-DM-04W UNIT: cd
 Lumens: 5460.4 Lm - C0/180,142.8
 Watts: 48.81 W - C90/270,124.1
 LPW: 111.87 Lm/W
 CCT: 3500K

Wiring Diagram



Scan the QR code or visit www.lironlighting.com/product/NTF3 for the complete luminaire installation guide.