

# WS632 Series

## LED Wall Cylinder

**Fixture Type:**

**Project Name:**

**Location:**

**Date:**

### Features

- Vertical design integrated LED wall light fixture
- Aluminum housing with black, white or dark bronze finish
- Glass lens with 120 degree beam angle
- Up and down light distribution
- It produces 1200 lumens and only consumes 18 watts of energy
- Color temperature: 3000K, 4000K, 5000K or 3CCT switchable
- 120V input voltage
- Optional accessories: photocell and Emergency Back-up System-EM 4W available
- Wet listed

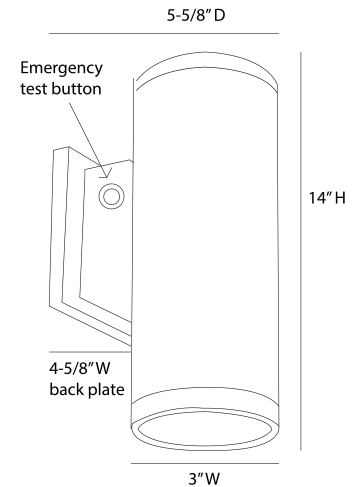


### Product Performance Standard

<b>Size</b>	3"W/5-5/8"D/14"H	<b>Power Factor</b>	90%
<b>Weight</b>	3lbs	<b>Life Span</b>	50,000 Hrs
<b>Mounting</b>	Wall Mount	<b>Dimmable</b>	Triac dimming
<b>Color Temp</b>	CCT/3CCT	<b>Efficacy</b>	70 lm/W
<b>CRI</b>	80	<b>Warranty</b>	5 Years
<b>Input Voltage</b>	120V	<b>Ambient Operating Temperature</b>	-20C° (-4°F) ~ 45° (104°F)



### Dimensions



### Ordering Guide

Example: WS63210404EM

Fixture Type	Size	Wattage	Color Temp.	Voltage	Finish	Optional Accessories
WS632	1=14IN	0=18W	1= 3000K 2= 4000K 3= 5000K 4= 3CCT	0= 120V	1= brushed nickel 2= bronze 3= white 4= black	PC= Photocell EM= Emergency Back-up System-EM 4W

Last update: 9-28-2023

