

WCS32 Series

LED Wall Cylinder

Fixture Type:

Project Name:

Location:

Date:

Features

- Vertical design integrated LED wall light fixture
- Aluminum housing with black, white, silver or dark bronze finish
- Glass lens with 120 degree beam angle
- Up and down light distribution
- It produces 1200 lumens and only consumes 18 watts of energy
- Color temperature: 3000K, 4000K, 5000K or 3CCT switchable
- 120V input voltage
- Optional accessories: photocell and Emergency Back-up System-EM 4W available
- Wet listed

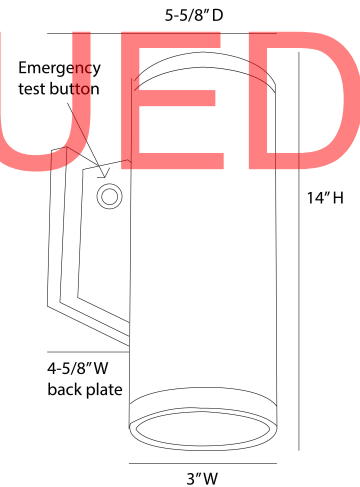


Product Performance Standard

Size	3" W / 5-5/8" D / 14" H	Power Factor	90%
Weight	3lbs	Life Span	50,000 Hrs
Mounting	Wall Mount	Dimmable	Triac dimming
Color Temp	3CCT	Efficacy	70 lm/W
CRI	80	Warranty	5 Years
Input Voltage	120V	Ambient Operating Temperature	-20C° (-4°F) ~ 45° (104°F)



Dimensions



Ordering Guide

Example: WCS32-1-4-4-EM

Fixture Type	Wattage	Color Temp.	Finish	Optional Accessories
WCS32	-1=18W	4= 3CCT	2= bronze 3= white 4= black 5= silver	PC= Photocell EM= Emergency Back-up System-EM 4W