

# WCS31 Series

## LED Wall Cylinder

**Fixture Type:**

**Project Name:**

**Location:**

**Date:**

### Features

- Vertical design integrated LED wall light fixture
- Aluminum housing with black, white, silver or bronze finish
- Glass lens with 30 degree beam angle
- Down light distribution
- It produces 600 lumens and only consumes 9 watts of energy
- Color temperature: 3000K, 4000K, 5000K or 3CCT switchable
- 120V input voltage
- Optional accessories: photocell and Emergency Back-up System-EM 4W available
- Wet listed

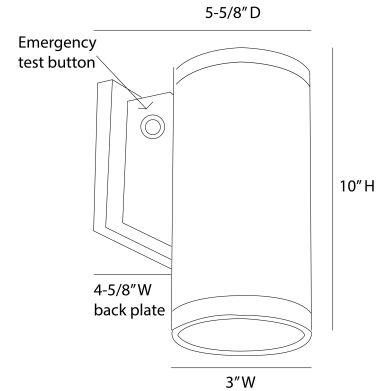


### Product Performance Standard

<b>Size</b>	3"W/5-5/8"D/10"H	<b>Power Factor</b>	90%
<b>Weight</b>	3lbs	<b>Life Span</b>	50,000 Hrs
<b>Mounting</b>	Wall Mount	<b>Dimmable</b>	Triac dimmable
<b>Color Temp</b>	3CCT	<b>Efficacy</b>	70 lm/W
<b>CRI</b>	80	<b>Warranty</b>	5 Years
<b>Input Voltage</b>	120V	<b>Ambient Operating Temperature</b>	-20C° (-4°F) ~ 45° (104°F)



### Dimensions



### Ordering Guide

Example: WCS31-142PC

Fixture Type	Wattage	Color Temp.	Finish	Optional Accessories
WCS31	-1= 9W	4= 3CCT	2= bronze 3= white 4= black 5= silver	PC= Photocell EM= Emergency Back-up System-EM 4W

Last update: 2-21-2024

