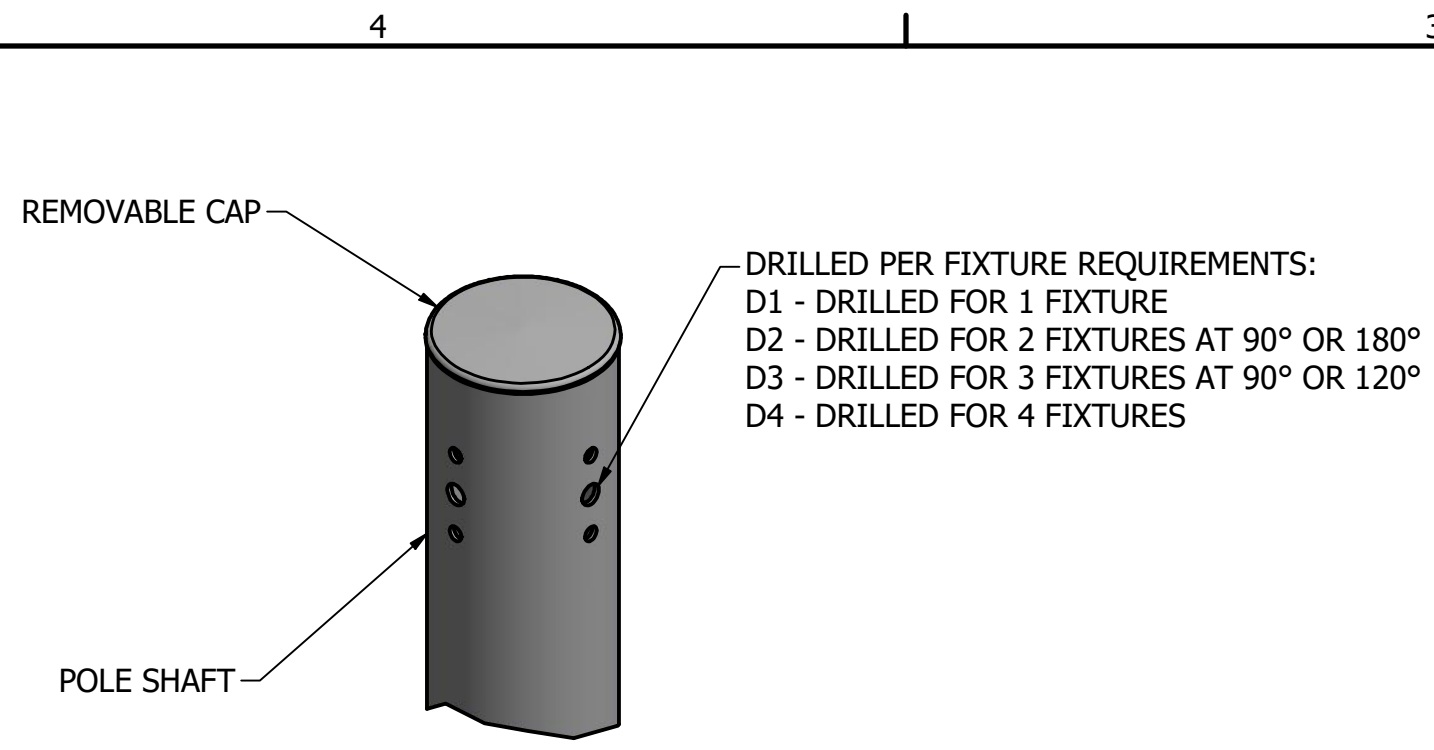
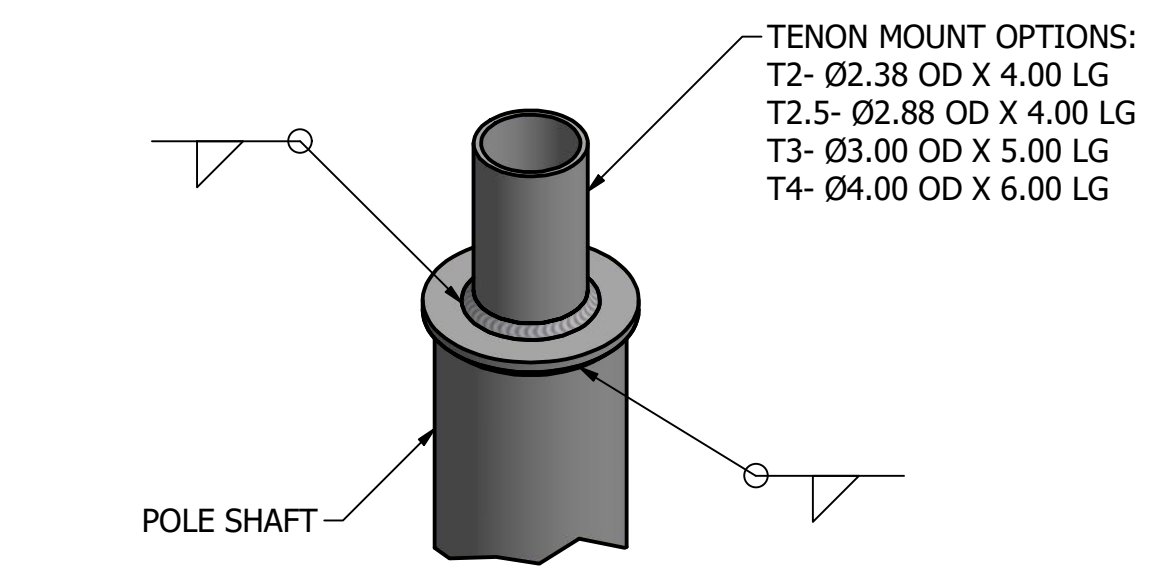


### Round Straight Hinged Steel Poles

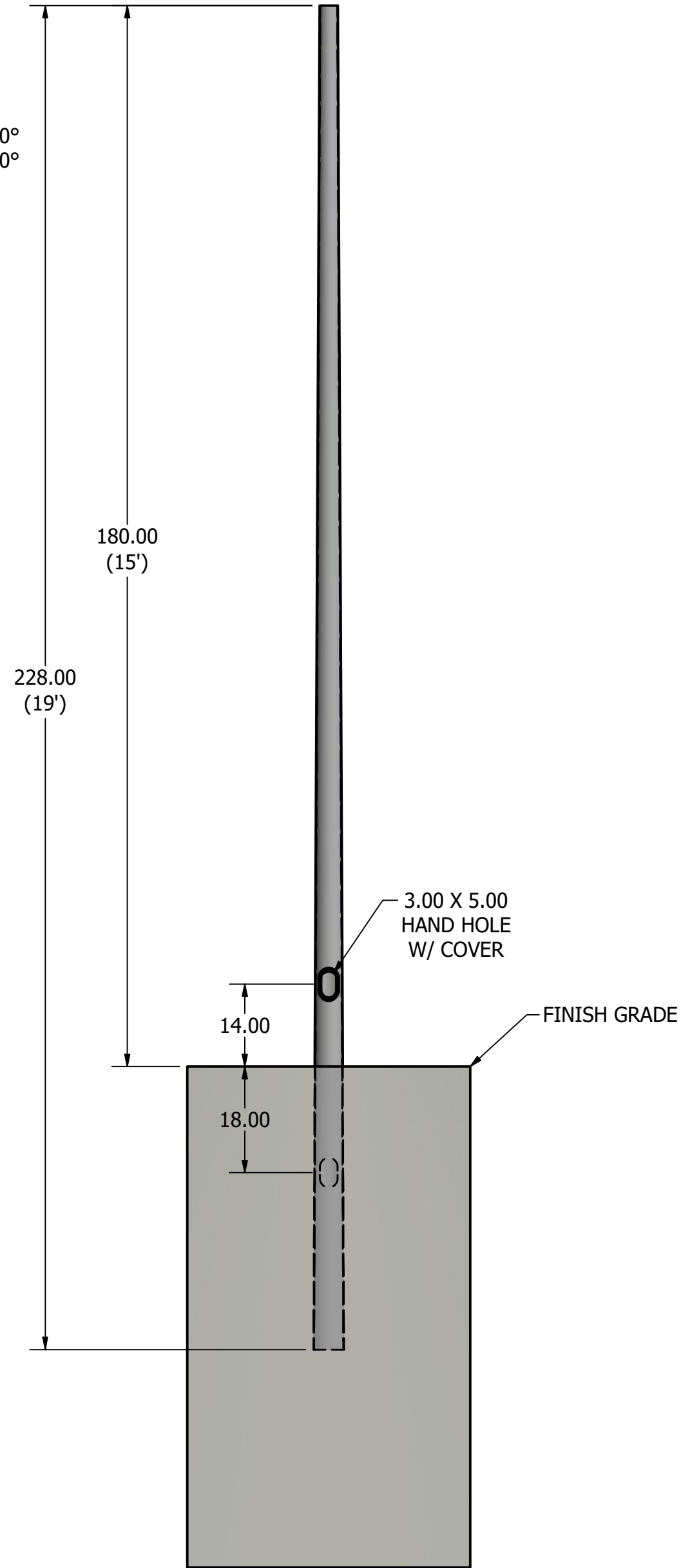
Part Number	Mounting Height (ft.)	Effective Projected Area (sq. ft.)				Shaft Dimensions			Base Information		Ship Weight (lb.)
		80	90	100	120	Base O.D. (in.) at grade level	Top O.D. (in.)	Wall Thickness (ga.)	Anchor Bolt Dia. (in.)	Bolt Circle (in.)	
RTS-15-5211-EMB	15	17.7	17.7	13.5	10.5	7.00	4.60	3.10	11	91	210
RTS-20-5911-EMB	20	12.2	12.2	9.8	7.9	6.20	5.30	2.40	11	126	342
RTS-20-7011-EMB	20	28.6	28.6	23.2	18.7	13.00	6.40	3.70	11	160	302
RTS-25-6511-EMB	25	9.4	9.4	7.6	6.2	4.40	5.90	2.40	11	164	521
RTS-25-8011-EMB	25	22.0	22.0	17.8	14.4	10.00	7.00	3.50	11	183	343
RTS-30-8511-EMB	30	8.1	8.1	6.6	5.3	3.80	7.80	3.60	11	265	596



**DRILLED MOUNT OPTIONS**



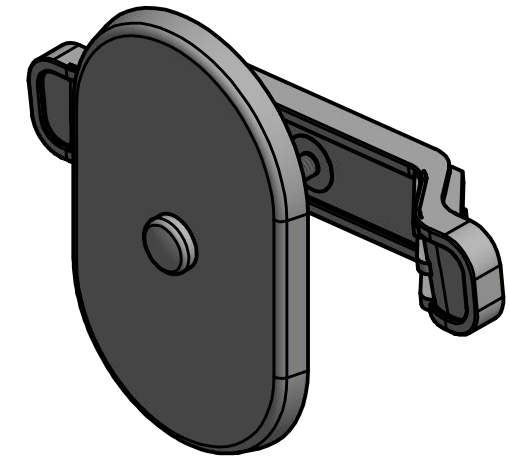
**TENON MOUNT OPTIONS**



**POLE DETAIL**

POLE SPECIFICATIONS					
NO.	COMPONENT	ASTM DESIGNATION	MIN. YIELD (P.S.I)		
1.	POLE SHAFT	A-595 GR. A	55,000		
2.	BASE PLATE	A36	36,000		
3.	ANCHOR BOLTS	F1554 GR. 55	55,000		
4.	GALVANIZED HARDWARE	A153	-		
FINISH SPECIFICATIONS					
POLES SHALL HAVE A POLYESTER POWDER COAT FINISH IN A STANDARD COLOR.					
POLE DIMENSIONS					
POLE HGT (FT.)	TOP DIA. (IN.)	BOTTOM DIA. (IN.)	GAGE	MTG. HGT. (FT.)	
19'	3.10	5.20	11 GAGE	15'	
ALLOWABLE WIND LOADING (SQ. FT.)					
WIND* EPA	INDICATED EPA	80 MPH	90 MPH	100 MPH	120 MPH
	-	17.7	13.5	10.5	7.0

\*WITH 1.3 GUST FACTOR



**3.00 X 5.00 HAND HOLE COVER**

NOTE: COAL TAR EPOXY COATING AVAILABLE AS AN OPTION FOR EMBEDDED PORTION PLUS 6 IN. OF THE POLE SHAFT.

	DRAWN: D. KONCHADA	DATE: 7/7/2020
	REVISION:	DATE:
	QUOTE:	PO.#
	APPROVAL SIGNATURE:	

**WARNING: DO NOT INSTALL LIGHT POLE WITHOUT INTENDED LOADING.**

TITLE:	
CATALOG:	
DWG NO: RTS-15-5211-EMB	SIZE: C SHEET 1 OF 1



# POLE ORDERING GUIDE

## ORDER NUMBER TEMPLATE

### Example Order Number

Fixture			Catalog Number				Mounting Type	Fixture Mounting Arrangement	Finish	Options			Accessories		
Brand	Product	Number	Design	Mounting Height	Shaft Size	Wall Thickness				Design	Orientation	Height From Base	Design	Orientation	Height From Base
			RTS-EMB	20	4	11	AB	T2	DB	WB-15	@90	10'	FH	@180	9'

### Build Your Order Number

Fixture			Catalog Number				Mounting Type	Fixture Mounting Arrangement	Finish	Options			Accessories		
Brand	Product	Number	Design	Mounting Height	Shaft Size	Wall Thickness				Design	Orientation	Height From Base	Design	Orientation	Height From Base

### Mounting Type

AB = Anchor Base  
 EMB = Embedded (Direct Burial)

### Fixture Mounting Arrangement

D1      D4  
 D2@90    T2  
 D2@180   T2.5  
 D3@90    T3  
 D3@120\*   T4

\*Round poles only

Refer to the Mounting Orientation Guide on the next page of this file.

### Finish

WH = White  
 TWH = Textured White  
 DB = Dark Bronze  
 TMB = Textured Medium Bronze  
 HB = Harvest Bronze  
 NB = New Bronze  
 SL = Silver  
 MGY = Medium Gray  
 GR = Gray  
 TGR = Textured Gray  
 GM = Graphite Metallic  
 DP = Dark Platinum  
 MA = Matte Aluminum  
 PSP = Platinum Silver  
 BK = Black  
 TBK = Textured Black  
 MG = Moss Green

Contact us for custom colors.

### Options

CMB = Camera Mounting Bracket  
 CMP = Camera Mounting Plate  
 WB-15 = Welded Bracket  
 WC = Welded Coupling (denote size)  
 WN = Welded Nipple (denote size)  
 Festoon = Festoon Provision  
 CSBC = Custom Steel Base Cover  
 VD = Vibration Dampener  
 GFCI/IUC = Ground Fault Circuit Interrupter with In-Use Cover  
 UL = UL Listed\*\*

\*See our online product catalog for complete catalog numbers of these options and accessories.

\*\* UL Listed labeling is available for catalog steel and aluminum poles—both Commercial & Industrial and Roadway. UL Listed labeling is not available for brackets. UL Listing must be specified at the time of order.

Note: N/A = Not Applicable

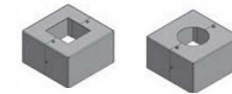
### Accessories

TB = Transformer Base\*  
 ABS-BC = ABS Base Cover\*  
 LW = Lowering Winch  
 LW-ELECTRIC = Electric Lowering Winch  
 BA = Banner Arm  
 FH = Flag Holder  
 PTTA = Pole Top Tenon Adapter\*

**Options**

Custom Steel Base Cover

Design	Description
CSBC	Custom Steel Base Cover



Vibration Dampener

Design	Description
VD	Recommended for use with all poles 25' and higher

\*All vibration dampener are plus freight if purchased and shipped sperately.



Ground Fault Circuit Interrupter & In Use Cover

Design	Description
GFI	Weatherproof 15-20 amp. 125V A/C Recessed Ground Fault Circuit Interrupter with In Use Cover



Festoon - Switch or receptacle mounting provision

Design	Description
Festoon	Mounting provision for customer supplied switch or standard receptacle.



Mounting Bracket

Design	Description
CMB	Mounting Bracket
CMP	Mounting Plate



Welded Bracket

Design	Description
WB	2 3/8" OD Bent Slip-fit Pipe Bracket Welded on Pole



Welded Coupling

Design	Description
WC	Threaded Pipe Coupling with Wire Hole Welded to Pole



Welded Nipple

Design	Description
WN	Threaded Pipe Nipple with Wire Hole Welded to Pole



Shielded Circuit Provision

Design	Description
SCP	Shielded Circuit Mounting Provision



Extra Hand Hole

Design	Description
SCP	Shielded Circuit Mounting Provision



Fully Galvanized Anchor Bolts

Design	Description
FGAB	¾" x 20"
	¾" x 28"
	1" o.d.
	1.5" o.d.



Anchor Bolt Deduct — to be used when customer does not want anchor bolts shipped

Design	Description
L/AB	Deduct amount for all ¾" anchor bolts (see pole type matrices for anchor bolt size)
	Deduct amount for all 1" anchor bolts (see pole type matrices for anchor bolt size)



UL or CSA Listing

Design	Description
UL	Poles can be ordered to meet UL requirements. "UL" must appear in the part number. UL Listed poles include a metal hand hole cover and UL label.
CSA	Poles can be ordered to meet CSA requirements. "CSA" must appear in the part number. CSA approved poles include required grounding provision and CSA label.



LUMINAIRE POLE WITH  
RESPECT TO ELECTRICAL  
HAZARDS ONLY  
<E473617>



CLASS - 3426 03 - LUMINAIRES -  
LUMINAIRE POLES

CATALOG NUMBER

YEAR OF MANUFACTURE

SUITABLE FOR WET LOCATIONS

**Accessories**

Lowering Winch

Catalog Number	Description
IW	Lowering Winch for Hinged Steel Pole

Electric Lowering Winch

Catalog Number	Description
ELW	Electric Lowering Winch

Banner Arm

Catalog Number	Description
ELW	Electric Lowering Winch

Flag Holder

Catalog Number	Description
FH	Flag Holder

Flower Pot Holder

Catalog Number	Description
FPH	Flower Pot Holder

PTAR - Round Pole Top Tenon Adapters

Catalog Number	Drill Mount Options	Height (in.)	Pole Size (in. sq.)
PTAR-4RD-DXX	D1,D2,D3,D4	13	4
PTAR-5RD-DXX	D1,D2,D3,D4	13	5
PTAR-6RD-DXX	D1,D2,D3,D4	13	6

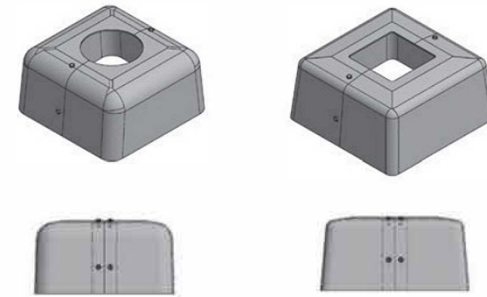
PTTA - Square Pole Top Tenon Adapters

Catalog Number	Drill Mount Options	Height (in.)	Pole Size (in. sq.)
PTTA-4SQ-DXX	D1,D2,D3,D4	13	4
PTTA-5SQ-DXX	D1,D2,D3,D4	13	5
PTTA-6SQ-DXX	D1,D2,D3,D4	13	6



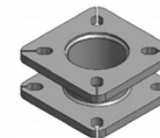
ABS Composite Base Covers - 2 Piece

Catalog Number	Pole Shaft Size Dia. O.D. (in.)	Cover Dimension		Max Base Plate Size (in. sq.)
		SQ (in.)	Height (in.)	
3RD-ABS-BC	3 RD	9.88	5.25	9.00
4RD-ABS-BC	4 RD	9.88	5.25	9.00
5RD-ABS-BC	5 RD	11.38	6	10.63
5RD-T1-ABS-BC	5 RD	9.88	5.25	9.00
5 3/8RD-ABS-BC	5 3/8' RD	12.13	6	11.25
6RD-ABS-BC	6 RD	12.13	6	11.25
6 5/8RD-ABS-BC	6 5/8 RD	12.13	6	11.25
7RD-ABS-BC	7 RD	12.13	6	11.25
8RD-ABS-BC	8 RD	13.38	6	12.50
8.5RD-ABS-BC	8.5 RD	13.5	5.5	12.75
4SQ-ABS-BC	4 SQ	9.88	5.25	9.00
5SQ-ABS-BC	5 SQ	12.13	6	11.25
6SQ-ABS-BC	6 SQ	13.5	5.5	12.75



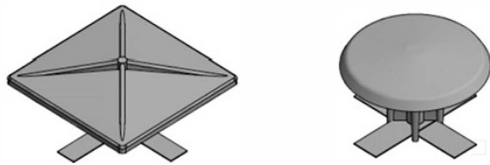
Two-Tier Adapter Plate\*

Catalog Number	Min Bolt Circle (in.)	Max Bolt Circle (in.)	Included Base Cover
TTAP	-----	12	YES
TTAP-16	12	16	YES



Pole Caps - Composite

Catalog Number	Pole Shaft O.D. Size (in.)
POLECAP-3RD	3.00
POLECAP-3.5RD	3.50
POLECAP-4RD	4.00
POLECAP-4.5RD	4.50
POLECAP-5RD	5.00
POLECAP-6RD	6.00
POLECAP-4SQ	4.00
POLECAP-5SQ	5.00
POLECAP-6SQ	6.00



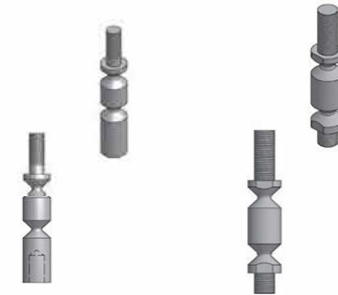
Hand Hole Covers\*

Catalog Number	Size (in.)
HH-2X4-ASSY	2 X 4
HH-3X5-ASSY	3 X 5
HH-4X6-ASSY	4 X 6



Break Away Couplings\*

Catalog Number	To Fit Anchor Bolt Size (in.)
BAC-.75-SET	0.75 O.D.
BAC-1.0-SET	1.00 O.D.



Transformer Bases

17" Transformer Base

Catalog Number	Top Bolt Circle (in.)	Bottom Bolt Circle (in.)	Height (in.)	Connecting Hardware Included
TB1-17	10.5 - 13.5	13 - 15	17.00	Yes
TB2-17	10 - 12	10 - 12	17.00	Yes
TB3-17	13 - 15.125	15 - 17.25	17.00	Yes



20" Transformer Base

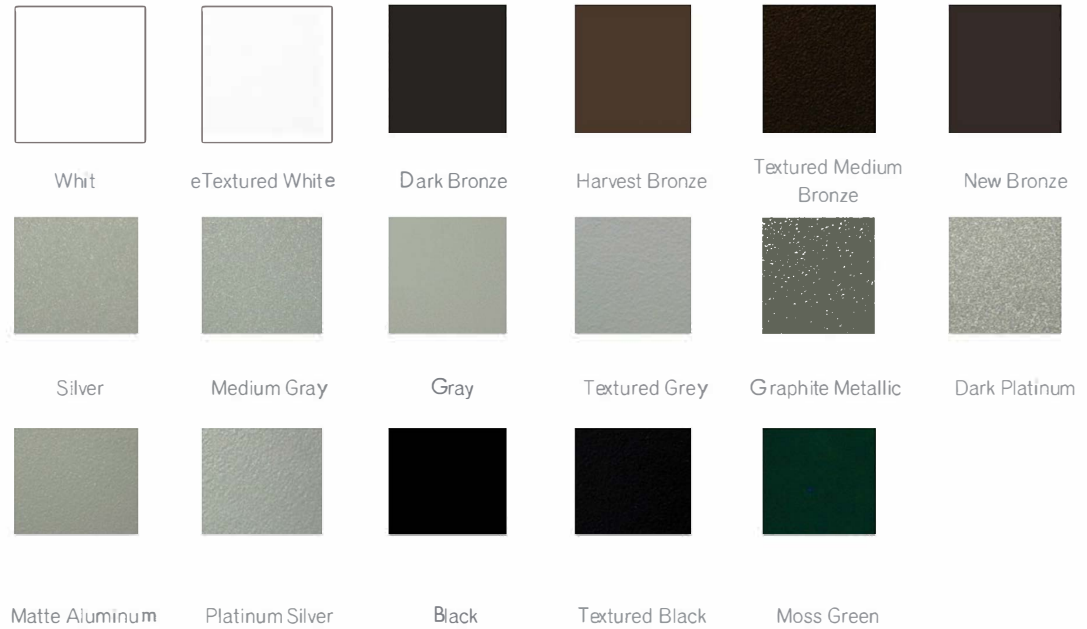
Catalog Number	Top Bolt Circle (in.)	Bottom Bolt Circle (in.)	Height (in.)	Connecting Hardware Included
TB1-20	11 - 13	13 - 15	20.00	Yes
TB2-20	10 - 12	10 - 12	20.00	Yes
TB3-20	13 - 15.125	17.25	20.00	Yes





Standard Powder Coat Colors

Design	Color
WH	White
TWH	Textured White
DB	Dark Bronze
HB	Harvest Bronze
TMB	Textured Medium Bronze
NB	New Bronze
SL	Silver
MGY	Medium Gray
GR	Gray
TGR	Textured Gray
GM	Graphite Metallic
DP	Dark Platinum
MA	Matte Aluminum
PSP	Platinum Silver
BK	Black
TBK	Textured Black
MG	Moss Green



Touch-Up Paint

Design	Color
See Above	All Standard Colors Above Available

Additional cost for the above standard color finish or any other custom color. Contact our sales for more information.