

INSTALLATION INSTRUCTIONS

LED OUTDOOR WALL LIGHT

Please read carefully and save these instructions, as you may need them at a later date.

CAUTION

Turn off the main power at the circuit breaker before installing and servicing the fixture, in order to prevent possible shock.

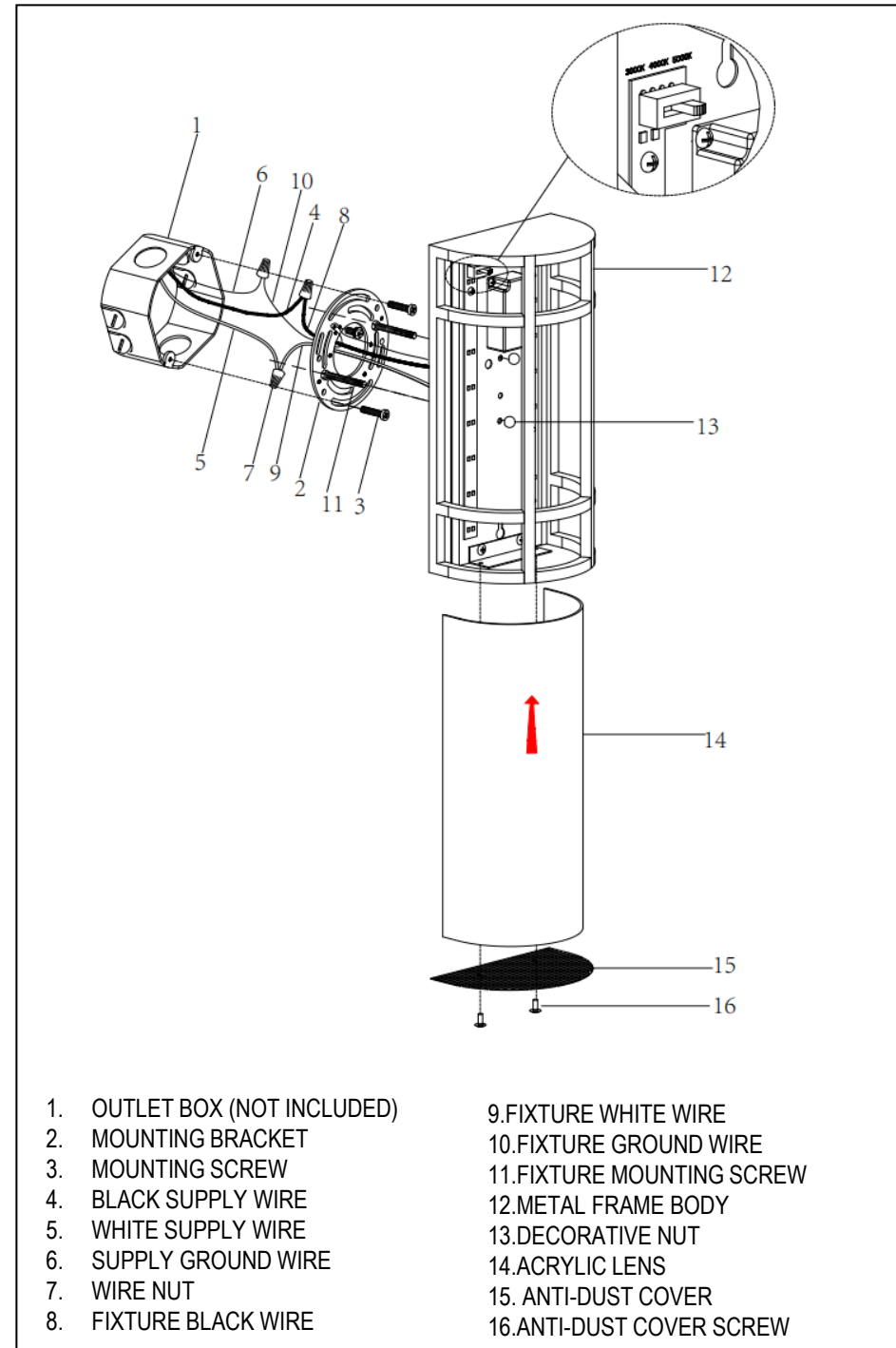
GENERAL

All electrical connections must be in accordance with local and National Electrical Code (N.E.C.) standards. If you are unfamiliar with proper electrical wiring connections, obtain the services of a qualified electrician.

Remove the fixture and the mounting package from the box and make sure that no parts are missing by referencing the illustrations on the installation instructions.

ASSEMBLY AND INSTALLATION

1. Thread FIXTURE MOUNTING SCRES(11) into MOUNTING BRACK(2) and adjust it until it produces 1/4" out from the METAL FRAME BODY(12).
2. Pull the power supply wires out from the OUTLET BOX (1) carefully, and mount the MOUNTING BRACKET (2) to the OUTLET BOX (1) by using MOUNTING SCREWS (3).
3. Connect BLACK SUPPLY WIRE (4) to FIXTURE BLACK WIRE (8), connect WHITE SUPPLY WIRE (5) to FIXTURE WHITE WIRE (9) and connect SUPPLY GROUND WIRE (6) to FIXTURE GROUND WIRE (10) using a WIRE CONNECTORS (7). And wrap all wire connectors with electrical tape for a more secure connection.
4. Partially thread GREEN GROUNDING SCREW into side hole of MOUNTING BRACKET (2). Wrap grounding wire from fixture around green grounding screw stem and leave enough excess wire.
5. Place the METAL FRAME BODY (12) over back onto the FIXTURE MOUNTING SCREWS (11), and secure it into place by using the DECORATIVE NUTS (13). And tighten to secure the fixture to the wall.
6. Place the ACRYLIC LENS(14) into the METAL FRAME BODY(12) carefully, and then place ANTI-DUST COVER(15) and fix it well with ANTI-DUST COVER SCREW(16).



- | | |
|------------------------------|----------------------------|
| 1. OUTLET BOX (NOT INCLUDED) | 9. FIXTURE WHITE WIRE |
| 2. MOUNTING BRACKET | 10. FIXTURE GROUND WIRE |
| 3. MOUNTING SCREW | 11. FIXTURE MOUNTING SCREW |
| 4. BLACK SUPPLY WIRE | 12. METAL FRAME BODY |
| 5. WHITE SUPPLY WIRE | 13. DECORATIVE NUT |
| 6. SUPPLY GROUND WIRE | 14. ACRYLIC LENS |
| 7. WIRE NUT | 15. ANTI-DUST COVER |
| 8. FIXTURE BLACK WIRE | 16. ANTI-DUST COVER SCREW |