

INSTALLATION INSTRUCTIONS

LED OUTDOOR WALL LIGHT

120VAC Input Dimmable

Please read carefully and save these instructions, as you may need them at a later date.

CAUTION

Turn off the main power at the circuit breaker before installing and servicing the fixture, in order to prevent possible shock.

GENERAL

All electrical connections must be in accordance with local and National Electrical Code (N.E.C.) standards. If you are unfamiliar with proper electrical wiring connections, obtain the services of a qualified electrician.

Remove the fixture and the mounting package from the box and make sure that no parts are missing by referencing the illustrations on the installation instructions.

IMPORTANT SAFETY INFORMATION

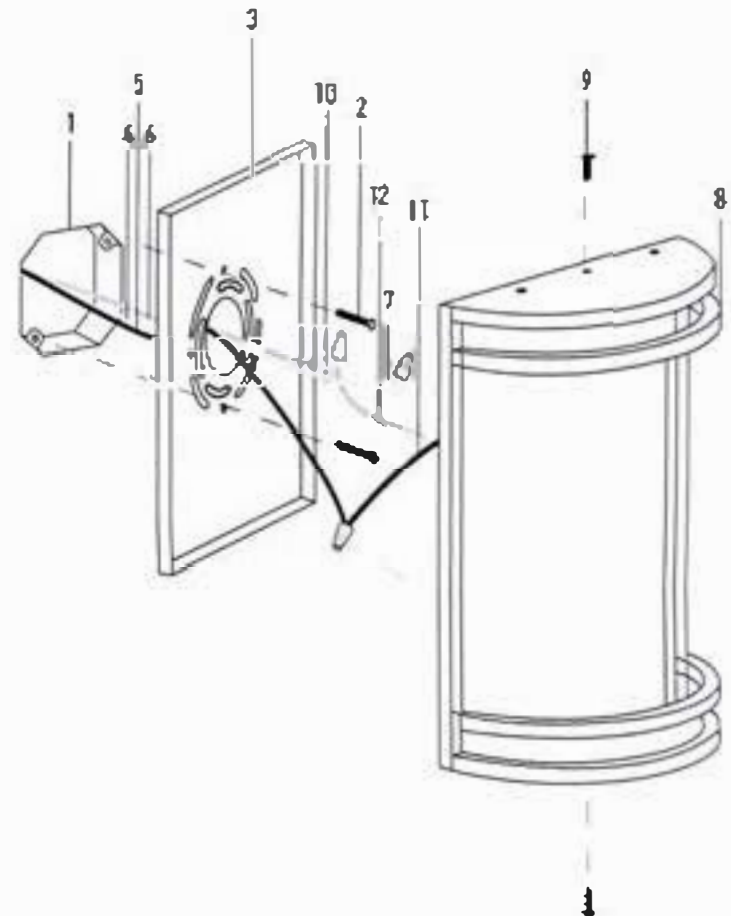
Please read all of the instructions before installation.

1. Make sure the supply voltage corresponds to the rated product voltage 120V 60Hz.
2. The product must be installed by a qualified electrician in accordance with the national electrical code and corresponding local codes.
3. If the product is damaged, don't attempt installation and don't use it.

ASSEMBLY AND INSTALLATION

1. Put the power supply wires out from the OUTLET BOX (1) and mount the wall plate (3) to outlet box using mounting screws (2).
2. Make wire connections. Connect black supply wire (5) to black fixture wire (11) to connect white supply wire (4) to white fixture wire (10) by using the wire nuts (7).
3. Connect supply ground wire (6) to the fixture ground wire (12) by using the wire nuts (7). After wires are connected, carefully tuck wires back into the outlet box.
4. Attach the fixture back plate (8) firmly to wall plate (3) and mount against the wall. Secure in place with side mount screws (9).
5. Installation is completed, Turn on the Power at the circuit breaker, turn light switch on to operate this fixture.

This LED light fixture has no LED bulb to replace.



- | | |
|------------------------------|-------------------------|
| 1. Outlet box (not included) | 7. Wire nut |
| 2. Mounting screw | 8. Fixture backplate |
| 3. Wall plate | 9. Side mount screw |
| 4. White supply wire | 10. White fixture wire |
| 5. Black supply wire | 11. Black fixture wire |
| 6. Supply ground wire | 12. Fixture ground wire |