

MFWS2 Series

LED Wall Sconce

Fixture Type:

Project Name

Location:

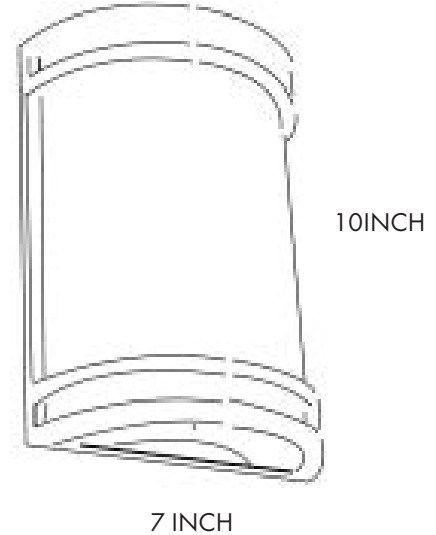
Date:

Features

- Decorative outdoor integrated LED wall light fixture
- 3CCT color temperature adjustable wall mount (3000K/4000K/5000K)
- Acrylic frosted lens front covers
- Rugged die cast aluminum housing with black or silver finish
- It produces 1000 lumens and only consumes 15 Watts of energy
- Easy wall mount installation, suitable for outdoor location
- 120V input voltage
- Optional accessory: photocell
- Suitable for wet location



Dimensions



Product Performance Standard

| | | | |
|----------------------|---------------------|--------------------------------------|--------------------------------|
| Size | 7 in x 10 in x 3 in | Power Factor | 90% |
| Weight | 2 lb | Life Span | 50,000 Hrs |
| IP Rate | IP65 | Dimmable | Triac Dimming |
| Color Temp | 3CCT 30K/40K/50K | Efficacy | up to 67 lm/W |
| CRI | 80 | Warranty | 5 Years |
| Input Voltage | 120V | Ambient Operation Temperature | -30C° (-22°F) ~ 45° (113°F) |

Ordering Guide

Example: MFWS2 - 15W3CCTPC

