

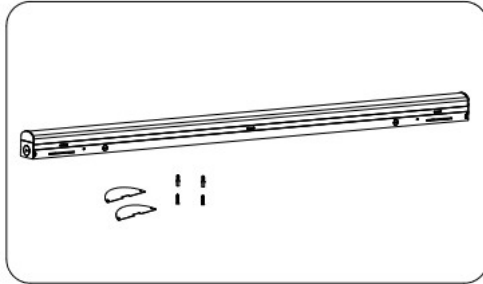
COLOR/WATTAGE SELECTABLE LED STRIP FIXTURE

SAFETY AND INSTALLATION INSTRUCTIONS

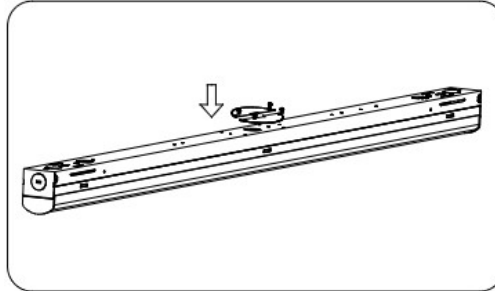
Installation Instructions

Surface Mounting

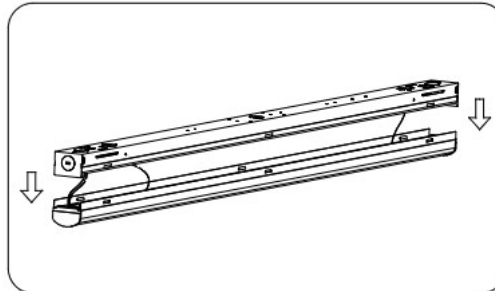
1. Take out the light fixture and accessories package from the box.



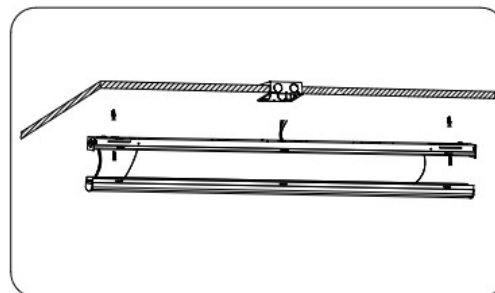
2. Attach the junction box covers to the fixture.



3. Separate the module board from the fixture base.



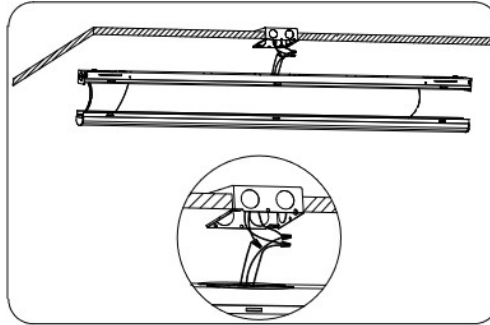
4. Secure the fixture to the ceiling with the provided plastic sleeve and screws.



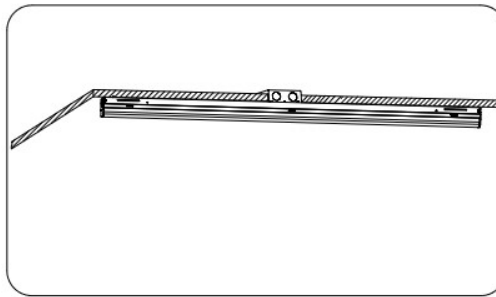
COLOR/WATTAGE SELECTABLE LED STRIP FIXTURE

SAFETY AND INSTALLATION INSTRUCTIONS

5. Wire to the main supply power through the junction box.



6. Reattach the module board to the fixture base to finish the installation.



General Wiring Diagram(CCT adjustable)

Emergency CCT is 5000K

