

UHB2 Series

LED UFO HIGH BAY

Fixture Type:

Project Name

Location:

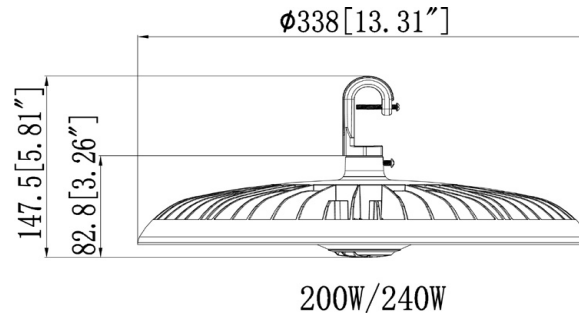
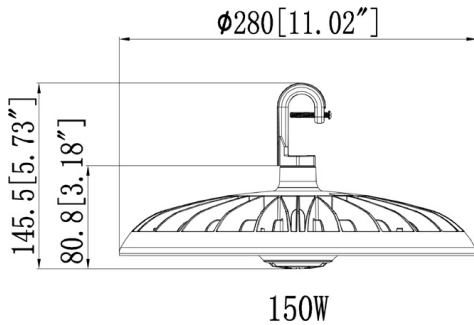
Date:

Features

- A compact and streamlined designed, which allows for efficient heat dissipation and better airflow.
- Durable die-cast aluminum housing with corrosion-resistant black powder coating which prolong the lifespan of the LEDs and ensure reliable performance over an extend period.
- Anti-UV polycarbonate lens designed to shape light uniformly and control glare.
- Wattage selectable provide flexibility in lighting design, allowing you to customize the illumination levels for different areas and tasks.
- 3CCT color temperature adjustable 3000K/ 4000K/5000K.
- Standard voltage 120-277V, optional Step down auto transformer allowing fixtures to be safely operated in 277-480V.
- Available for hook mount/pendant mount (1/2" conduit size)
- Come with 1.8 ft long power cable.
- IP65 rating suitable for wet location.



Dimensions



Specification

Material	Die cast aluminum housing with black powder coat finish	Efficacy	140 lm/W
Lens	Anti-UV polycarbonate lens	LED Life Span	50,000 hour LED lifespan
Beam angle	80 degree	Dimmable	0-10V Dimming
Color Temp	3CCT 3000K/4000K/5000K	Lumen Package	14,000 lm to 33,600 lm
CRI	70	Warranty	5 Years
Input Voltage	Standard 100-277V Optional step down transformer use for 277-480V.	Ambient Operation Temperature	-40°C (-40°F) to 50°C (122°F)
Installation	Hook mount (default) Pendant mount(optional 1/2" conduit size)	Listing	DLC Premium UL Listed Wet location



UHB2 Series

LED UFO HIGH BAY

Fixture Type:

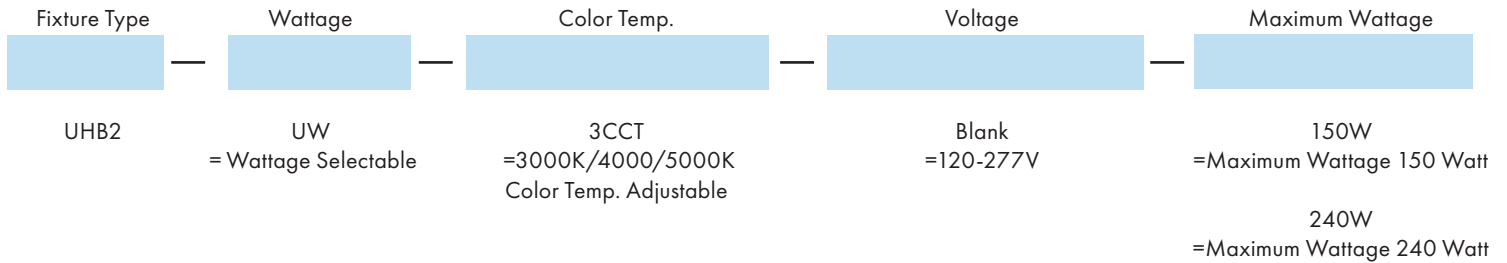
Project Name

Location:

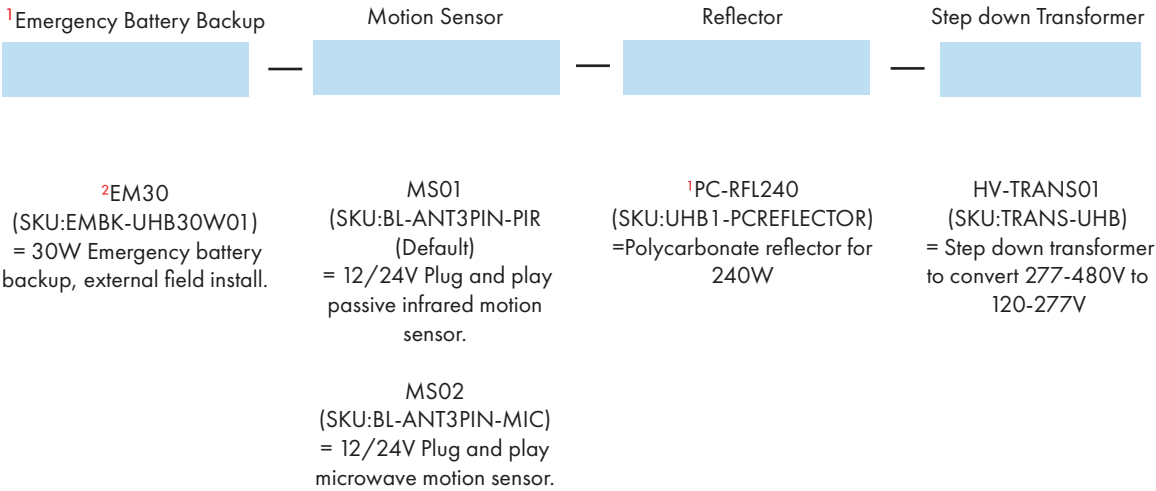
Date:

Ordering Guide

Example: UHB2-UW3CCT-150W-EM30-MS01



Optional Accessories



Note: 1. PC reflector only suitable for 240W.
2. Emergency battery backup is not suitable for high voltage.





UHB2 Series

LED UFO High Bay

Fixture Type:
Project Name
Location:
Date:

Product Information

3000K			4000K		5000K	
WATTAGE	LUMEN	EFFICACY	LUMEN	EFFICACY	LUMEN	EFFICACY
240W	33,120 lm	138lm/W	33,600 lm	140lm/W	33,600 lm	140lm/W
200W	27,600 lm	138lm/W	28,000 lm	140lm/W	28,000 lm	140lm/W
150W	20,700 lm	138lm/W	21,000 lm	140lm/W	21,000 lm	140lm/W

3000K			4000K		5000K	
WATTAGE	LUMEN	EFFICACY	LUMEN	EFFICACY	LUMEN	EFFICACY
150W	20,700 lm	138lm/W	21,000 lm	140lm/W	21,000 lm	140lm/W
120W	16,560 lm	138lm/W	16,800 lm	140lm/W	16,800 lm	140lm/W
90W	12,420 lm	138lm/W	14,000 lm	140lm/W	14,000 lm	140lm/W



UHB2 Series

LED UFO High Bay

Fixture Type:

Project Name

Location:

Date:

Optional Accessories



Plug and play PIR Motion Sensor

- **SKU: BL-ANT3PIN-PIR**

- 12/24V Passive infrared motion sensor plug and play motion sensor



Plug and play Microwave Motion Sensor

- **SKU: BL-ANT3PIN-MIC**

- 12/24V Microwave motion sensor plug and play motion sensor



External Emergency Battery Backup

- **SKU:EMBK-UHB30W01**

- External battery backup is field install.

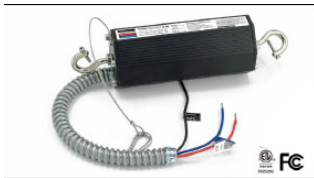
- 90 minutes emergency operation, provide up to 4,200 lm



PC Reflector

- **SKU: UHB1-PCREFLECTOR**

- PC reflector only for 240W



Step down transformer 02

- **SKU: TRANS-UHB**

- Step down auto transformer allowing fixtures to be safely operated in high voltage environments.

-480V to 208V or 347V to 150V or 277V to 120V