

SP2 Series

2FT/4FT/8FT Wattage Selectable & 3CCT LED Strips Light

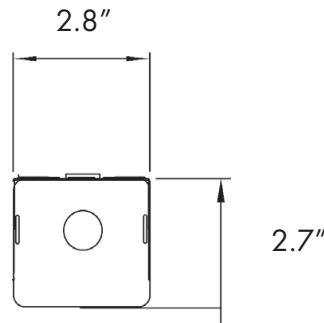
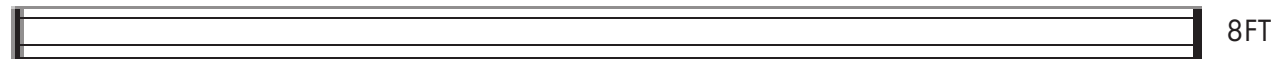
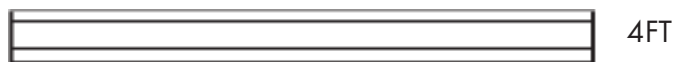
Fixture Type:
Project Name:
Location:
Date:

Features

- LED strip light available in 2FT, 4FT and 8FT.
- Durable cold rolled steel housing with anti-rust white coat finish.
- Frosted white diffuser PC lens.
- Wattage selectable 2FT 15W/20W/25W, 4FT 27W/36W/45W, 8FT 50W/72W/90W.
- 3CCT color temperature adjustable 3000K/4000K/5000K.
- Up to 130 lumen per watt efficacy.
- Universal 120-277V input voltage.
- 0-10V dimmable dim down to 1%, compatible with 0-10V dimmers.
- Surface mount or suspended mount(1FT chain hanger included), optional 6FT aircraft cable available.
- Row connector available
- Optional internal microwave motion sensor and internal emergency battery backup available.



Dimensions



Product Performance Standard

Material	Durable cold rolled steel	Dimming	0-10V Dimming
Lens	Frosted white diffuser PC lens	Life Span	50,000 Hrs
Color Temp	3CCT 30/40/50K	Efficacy	130 lm/W
CRI	80	Warranty	5 Years
Input Voltage	120-277V	Ambient Operation Temperature	-13°C (-4°F) ~ 40°C (104°F)
Installation	Surface mount suspended mount(1FT chain hanger included) Optional 6FT or 12FT aircraft cable	Listing	UL Listed Damp Location



SP2 Series

2FT/4FT/8FT Wattage Selectable & 3CCT LED Strips Light

Fixture Type:
Project Name:
Location:
Date:

Ordering Guide

Example: SP2-4FTUW3CCT -45W

Fixture Type	Length	Wattage	CCT	Maximum Wattage
SP2	2FT	UW=	3CCT =	25W
	4FT	2' 15/20/25W	Color temperature	= 2FT Max Wattage 25W
	8FT	4' 27/36/45W	adjustable	45W
		8' 50/72/90W	30/40/50K	=4FT Max Wattage 45W
				90W
				=8FT Max Wattage 90W

Optional Accessories

EM



EM

(SKU:EMBK8W-CNP02)
=8W Emergency battery back internal pre-install.

MS



MS01

(SKU: BL-810MW-IN)
= Microwave motion sensor internal pre-install.

Mounting Accessories



HC-SP2

=6FT Aircraft hanging cable
RC-SP2
= Row connector



SP2 Series

2FT/4FT/8FT Wattage Selectable & 3CCT LED Strips Light

Fixture Type:
Project Name:
Location:
Date:

Product Information

LENGTH	WATTAGE	3000K		4000K		5000K	
		LUMEN	EFFICACY	LUMEN	EFFICACY	LUMEN	EFFICACY
2'	15W	1905lm	127lm/W	1920lm	128lm/W	1950lm	130lm/W
	20W	2540lm	127lm/W	2560lm	128lm/W	2600lm	130lm/W
	25W	3175lm	127lm/W	3200lm	128lm/W	3250lm	130lm/W

LENGTH	WATTAGE	3000K		4000K		5000K	
		LUMEN	EFFICACY	LUMEN	EFFICACY	LUMEN	EFFICACY
4'	27W	3429lm	127lm/W	3456lm	128lm/W	4550lm	130lm/W
	36W	4572lm	127lm/W	4608lm	128lm/W	5200lm	130lm/W
	45W	5715lm	127lm/W	5760lm	128lm/W	5850lm	130lm/W

LENGTH	WATTAGE	3000K		4000K		5000K	
		LUMEN	EFFICACY	LUMEN	EFFICACY	LUMEN	EFFICACY
8'	45W	5715lm	127lm/W	5760lm	128lm/W	5850lm	130lm/W
	72W	9144lm	127lm/W	9216lm	128lm/W	9360lm	130lm/W
	90W	11430lm	127lm/W	11520lm	128lm/W	11700lm	130lm/W

SP2 Series

2FT/4FT/8FT Wattage Selectable & 3CCT LED Strips Light

Fixture Type:

Project Name:

Location:

Date:

Optional Accessories



Internal Motion Sensor

- SKU: BL-810MW-IN
- Internal motion sensor is pre-installed by request



Internal Emergency Battery Backup

- SKU: EMBK8W-CNP02
- Internal battery backup is pre-installed by request
- Delivery 1000 lumen for 90 minutes emergency operation



Row Connector 4ft to 8ft

- SKU: RC-SP2-4FTUW3CCT
- To convert a 4ft fixture to 8ft fixture



1FT Chain Hanger

- Included



6FT aircraft cable

- SKU: AircraftCable-VT4/SP2-6FT