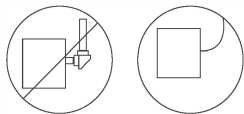


Exit Sign Emergency Light

User Manual

O1 / CAUTION

1. Review the diagram thoroughly before beginning the installation.
2. All electrical connections MUST be in accordance with local codes, ordinances and the National Electric Code.
3. Before installing or servicing, DISCONNECT THE POWER at the fuse box or circuit breaker.
4. DO NOT use outdoors.
5. DO NOT mount in hazardous locations or near gas or electric heaters.
6. DO NOT let the power cords touch the hot surface.
7. Equipment should be mounted in locations and heights where it will NOT be subjected to tampering by unauthorized personnel.
8. The use of accessory equipment which is NOT recommended by the manufacturer may cause an unsafe condition.
9. DO NOT use this equipment for anything other than the intended use.
10. All servicing should be performed ONLY by qualified personnel.
11. Allow the battery to charge for 24hrs before the first use.
12. Use Flexible Conduit Only.



O2 / WIRING DIAGRAM

AC WIRING (FIG.1)

Use the provided wire nuts to connect the J-box wires to the power supply wires.

Connect the J-box white neutral wire to the power supply white neutral wire.

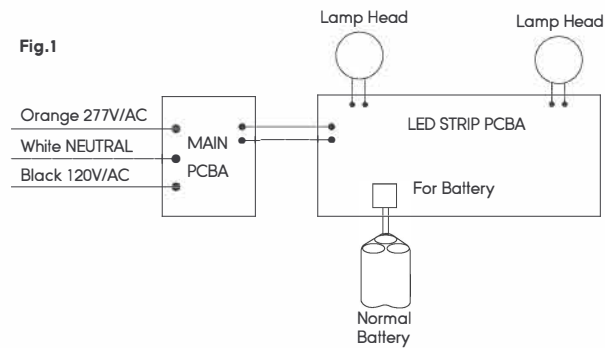
If you are using 120V, connect the black wire to the hot lead.

If you are using 277V, connect the orange wire to the hot lead.

Cap off the unused lead.

Battery Wiring

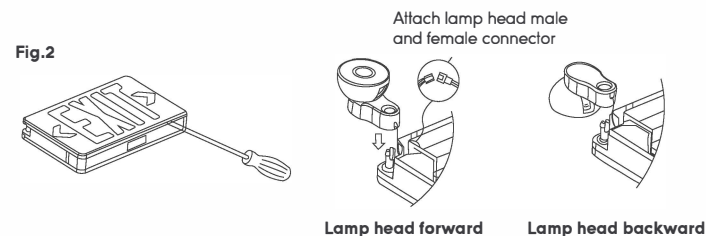
Insert the quick connector into the corresponding battery connector on the LED board.



O3 / INSTALLATION

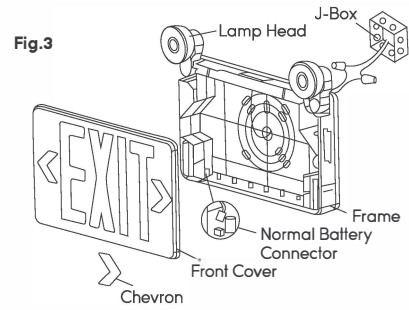
ASSEMBLY LAMP HEADS (FIG.2)

1. With a flathead screwdriver (not included), open the front cover.
2. Snap the lamp heads on the 2 corners of the frame. If the unit is ceiling or side mounted, the lamp head can be attached backward.
3. Attach the 2 lamp heads' male and female connectors together.



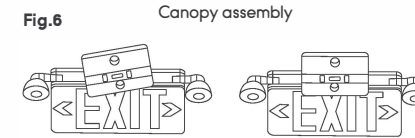
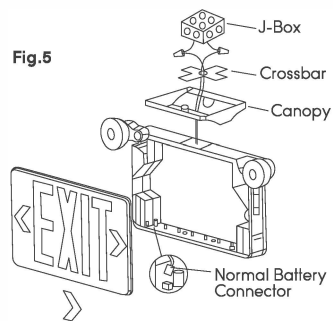
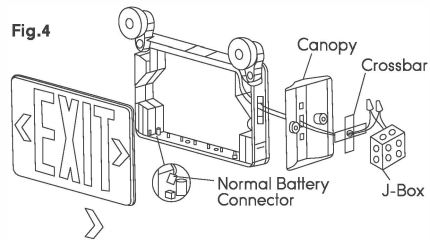
WALL MOUNTING (FIG.3)

1. Refer to the Fig.2 and assemble 2 pcs lamp heads on the frame.
2. Knock out the center and appropriate mounting screw holes on the back plate and route the proper wire through the center hole out of the housing.
3. Make electrical connections inside the J-box as the wiring diagram (Fig.1).
4. Align the metal mounting bracket with the knock-off point of the back plate of the lamp, and fix the lamp on the wall (junction box) with screws.
5. Snap chevron to EXIT panel if required.



SIDE/CEILING MOUNTING (FIG.4&5)

1. Refer to the Fig.2 and assemble 2 pcs lamp heads on the frame.
2. Attach crossbar to J-box, set the crossbar so that the longer blade is touching the J-box.
3. Make electrical connections inside the J-box as the wiring diagram (Fig.1).
4. If double face is desired, replace back plate with additional face plate provided.
5. Knock out the holes on the top/side of the lamp for mounting the canopy.
6. Tighten canopy to crossbar with screws so that canopy is securely fastened against the wall. (Fig.6)
7. Snap chevron to EXIT panel if required.



Insert the canopy into the housing at a 20° angle and twist.

With a quick snap, it is now locked firmly.

Caution: Trying to remove the canopy after it is locked in place may cause damage.