

# LEDEXTCMBRC-R/G Series

Bi Color Red/Green LED Exit Sign - Remote Head Capable

**Fixture Type:**

**Project Name**

**Location:**

**Date:**

## Features

- Bi color Red /Green LED, capable with remote head
- injection-molded thermoplastic ABS housing, UL 94V-0 flame rating
- Letters 6" height with 3/4" stroke. Optional RED letters
- Single or double face(Universal).
- Removable directional indicators
- Universal J-box mounting pattern
- 120V-277VAC Universal voltage operation
- 2X1W SMT LED lamp heads for emergency mode
- Built-in 3.6V 2000mAh Nickel cadmium battery for minimum 90 minutes emergency operation.
- Maximum 24 hours for full recharge time
- Test switch and charge indicator
- UL and cULus listed



## Product Performance Standard

<b>Size</b>	7.2 in x 11 in x 16.5in	<b>Voltage</b>	120/277 Vac
<b>Weight</b>	2 lb	<b>Life Span</b>	50,000 Hrs
<b>Mounting</b>	Wall	<b>Input Power</b>	2W
<b>Color Temp</b>	6000K	<b>Battery</b>	Nickel Cadmium
<b>Luminous</b>	240lm	<b>Warranty</b>	5 Years
<b>Packing Info</b>	6pcs/Box	<b>Ambient Operation Temperature</b>	0C° (32°F) ~40C° (104°F)

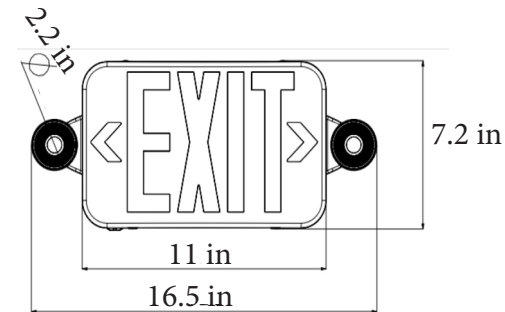


EMC-RHWP2-JL



EMC-RHWP1-JL

## Dimensions



## Ordering Guide

Example: LEDEXTCMBRC-R/G -

### Exit Combo Light:

Fixture Type



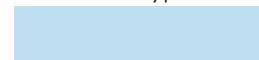
Description

Bi color red/green exit combo, dual head adjustable ,compatible with remote head,UL list

LEDEXTCMBRC-R/G

### Remote Head:

Fixture Type



Description

EMCRHWP2-JL

Outdoor double remote lamp head, 1W x 2 ultra bright white LED lamp head

EMCRHWP1-JL

Outdoor single remote lamp head, 1W x 2 ultra bright white LED lamp head

Last updated: 6-13-2022

# LEDEXTCMBRC-R/G Series

Bi Color Red/Green LED Exit Sign - Remote Head Compatible

Fixture Type:

Project Name

Location:

Date:

## Remote Head - EMC-RHWP1-JL/EMC-RHWP2-JL

- LED Indoor/outdoor double remote lamp head
- Injection-molded thermoplastic ABS housing,UL 94V-0 flame rating.
- 3.6V/9.6,1.2W\*2 ultra bright white LED lamps available
- The remote capable emergency light is designed to operate with remote capable LED combos and Emergency lights,a "remote head" is a stand-alone lamp with no internal power supply,it provides an efficient means of providing additional lighting



EMC-RHWP1-JL



EMC-RHWP2-JL

## Dimensions

