

# LEDEXTMBCSRC Series

New Slim EXIT/Emergency Combo

**Fixture Type:**

**Project Name**

**Location:**

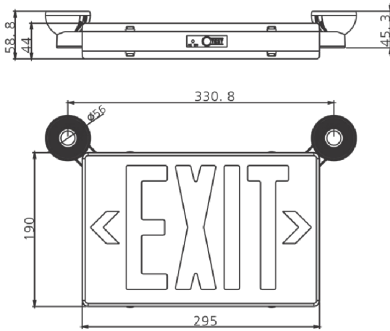
**Date:**

## Features

- Letters 6" height with 3/4" stroke. RED letter
- SALIDA faceplate available
- Single or double face (universal)
- Maximum 24 hours for full recharge time
- Test switch and charge indicator
- Remote capable



## Dimensions



## Specification

<b>Material</b>	Injection-molded thermoplastic ABS housing		
<b>Size</b>	40x33x23cm	<b>LED Life Span</b>	50,000 hrs
<b>Weight</b>	6.5lb	<b>Input power</b>	3.5W
<b>Color Temp</b>	6000K	<b>Battery</b>	Nickel Cadmium
<b>Luminous</b>	240lm	<b>Warranty</b>	5 Years
<b>Input Voltage</b>	120-277V	<b>Ambient Operation Temperature</b>	0C° (32°F) ~40° (104°F)
<b>Installation</b>	Wall Mount, Side Wall Mount & Ceiling Mount	<b>Listing</b>	UL Listed UL 94V-0 flame rating



# LEDEXTCMBCSRC Series

New Slim EXIT/Emergency Combo

<b>Fixture Type:</b>
<b>Project Name</b>
<b>Location:</b>
<b>Date:</b>

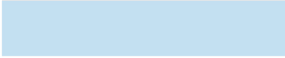
## Ordering Guide

Example: LEDEXTCMBCSRC



Exit Combo Light

Description



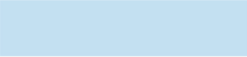
LEDEXTCMBCSRC

New Slim EXIT/Emergency with LED lamp heads.

## Optional Accessories

Remote Head:  
Fixture Type

Description



EMCRHWP2-JL

Outdoor double remote lamp head, 2x1W SMT LED lamp heads for emergency mode.

EMCRHWP1-JL

Outdoor single remote lamp head, 2x1W SMT LED lamp heads for emergency mode.

# LEDEXTCMBCSRC Series

New Slim EXIT/Emergency Combo

<b>Fixture Type:</b>
<b>Project Name</b>
<b>Location:</b>
<b>Date:</b>

## Remote Head- EMCRHWP1-JL / EMC-RHWP2-JL

- LED Indoor / outdoor double remote lamp head
- Injection-molded thermoplastic ABS housing, UL 94V-0 flame rating
- 3.6V / 9.6, 1.2W\*2 ultra bright white LED lamps available
- The remote capable emergency light is designed to operate with remote capable LED combos and Emergency lights, a "remote head" as a standalone lamp with no internal power supply, it provides an efficient means of providing additional lighting



EMC-RHWP1-JL



EMC-RHWP2-JL

## Dimensions

