

LEDEXTMBCSRC Series

New Slim Bi Color EXIT/Emergency Combo

Fixture Type:

Project Name

Location:

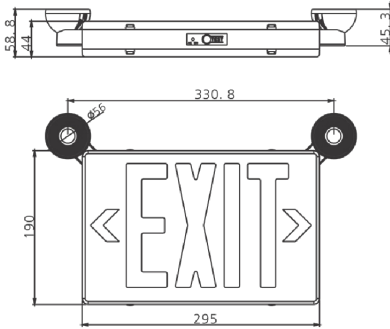
Date:

Features

- Letters 6" height with 3/4" stroke. RED letter
- SALIDA faceplate available
- Single or double face (universal)
- Maximum 24 hours for full recharge time
- Test switch and charge indicator
- Remote capable



Dimensions



Specification

Material	Injection-molded thermoplastic ABS housing		
Size	40x33x23cm	LED Life Span	50,000 hrs
Weight	6.5lb	Input power	3.5W
Color Temp	6000K	Battery	Nickel Cadmium
Luminous	240lm	Warranty	5 Years
Input Voltage	120-277V	Ambient Operation Temperature	0C° (32°F) ~40° (104°F)
Installation	Wall Mount, Side Wall Mount & Ceiling Mount	Listing	UL Listed UL 94V-0 flame rating

LEDEXTCMBCSRC Series

New Slim Bi Color EXIT/Emergency Combo

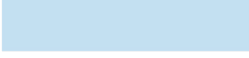

Fixture Type:
Project Name
Location:
Date:

Ordering Guide Example: LEDEXTCMBCSRC



Exit Combo Light	Description
	
LEDEXTCMBCSRC	New Slim Bi Color EXIT/Emergency with LED lamp heads.

Optional Accessories

Remote Head: Fixture Type	Description
	
EMCRHWP2-JL	Outdoor double remote lamp head, 2x1W SMT LED lamp heads for emergency mode.
EMCRHWP1-JL	Outdoor single remote lamp head, 2x1W SMT LED lamp heads for emergency mode.

LEDEXTCMBCSRC Series

New Slim Bi Color EXIT/Emergency Combo

Fixture Type:

Project Name

Location:

Date:

Remote Head- EMCRHWP1-JL / EMC-RHWP2-JL

- LED Indoor / outdoor double remote lamp head
- Injection-molded thermoplastic ABS housing, UL 94V-0 flame rating
- 3.6V / 9.6, 1.2W*2 ultra bright white LED lamps available
- The remote capable emergency light is designed to operate with remote capable LED combos and Emergency lights, a "remote head" as a standalone lamp with no internal power supply, it provides an efficient means of providing additional lighting



EMC-RHWP1-JL



EMC-RHWP2-JL

Dimensions

