

PLB Series

LED Backlit Panel

Fixture Type:

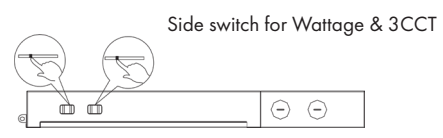
Project Name:

Location:

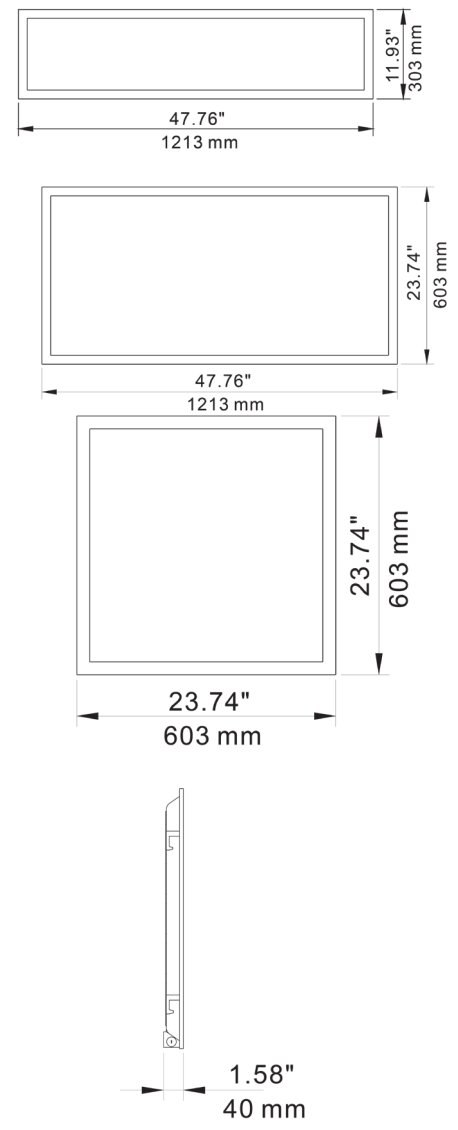
Date:

Features

- LED backlit panel provide smooth even illumination across the face of luminaire
- Wattage selectable
20W/30W/40W(1'X4')
- 20W/30W/40W(2'X2')
- 30W/40W/50W(2'X4')
- 3CCT color temperature 30/40/50K
- Aluminum lens frame whit matte white finish
- Housing is die formed cold rolled steel
- Available optional accessories emergency battery backup, surface mount frame



Dimensions



Product Performance Standard

Size	2'x4'/2'x2'/1'x4'	Power Factor	90%
Weight	10lb	Life Span	50,000 Hrs
Mounting	Recessed or Surface mount	Dimmable	0-10V dimming
Color Temp	3CCT	Efficacy	up to 130 lm/W
CRI	80	Warranty	5 Years
Input Voltage	100-277V	Ambient Operation Temperature	-15C° (-4°F) ~ 40° (104°F)

Ordering Guide

Example: PLB - UW3CCT

Fixture Type	Size	Wattage	Color Temp.	Voltage	Finish	Optional Accessories
PLB	1x4 = 1'X4'	UW =	3CCT =	Blank = 100-277V	Blank = White	Blank = No accessories
	2x2 = 2'X2'	20W/30W/40W	30/40/50K			EM = Emergency battery backup
	2x4 = 2'X4'	(2X2/1X4)	(Color Temperature			Surface Mount = Surface Mount kit
		30W/40W/50W	Adjustable)			
		(2X4)				



Fixture Type:

Project Name:

Location:

Date:

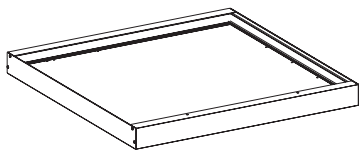
Product Information

1'x 4'		3000K		4000K		5000K	
WATTAGE	LUMEN	EFFICACY	LUMEN	EFFICACY	LUMEN	EFFICACY	EFFICACY
20W	2500lm	125lm/W	2560lm	128lm/W	2600lm	130lm/W	130lm/W
30W	3750lm	125lm/W	3840lm	128lm/W	3900lm	130lm/W	130lm/W
40W	5000lm	125lm/W	5120lm	128lm/W	5200lm	130lm/W	130lm/W

2'x2'		3000K		4000K		5000K	
WATTAGE	LUMEN	EFFICACY	LUMEN	EFFICACY	LUMEN	EFFICACY	EFFICACY
20W	2500lm	125lm/W	2560lm	128lm/W	2600lm	130lm/W	130lm/W
30W	3750lm	125lm/W	3840lm	128lm/W	3900lm	130lm/W	130lm/W
40W	5000lm	125lm/W	5120lm	128lm/W	5200lm	130lm/W	130lm/W

2'x4'		3000K		4000K		5000K	
WATTAGE	LUMEN	EFFICACY	LUMEN	EFFICACY	LUMEN	EFFICACY	EFFICACY
30W	3750lm	125lm/W	3840lm	128lm/W	3900lm	130lm/W	130lm/W
40W	5000lm	125lm/W	5120lm	128lm/W	5200lm	130lm/W	130lm/W
50W	6250lm	125lm/W	6400lm	128lm/W	6500lm	130lm/W	130lm/W

Optional Accessories



Surface Mount Kit

- 1x4, 2x2 or 2x4 surface mount kit



External Emergency Battery Backup

- SKU: A-EMBK8WHV-EXT
- External battery backup is field installed
- Delivery 1000 lumen for 90 minutes emergency operation

For the accessories detail, please visit www.lironlighting.com/product_categories/add-on-accessories

