

CSP2 Series

LED Flush Mount Downlight

Fixture Type:

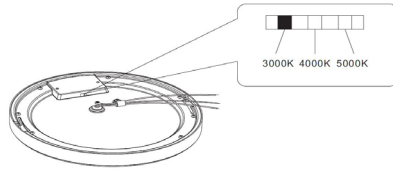
Project Name:

Location:

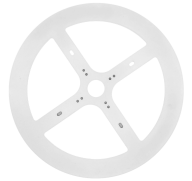
Date:

Features

- 5"/7"/9"/12" slim flush mount downlight
- 3CCT color temperature adjustable 30/40/50K
- Polycarbonate engineering plastic housing
- Durable polycarbonate Lens
- Triac dimming
- Easy installation for flush mount to most standard J-box
- Suitable for damp location
- Available in white finish



(Trim ring mounted)
Extends fixture to 14"



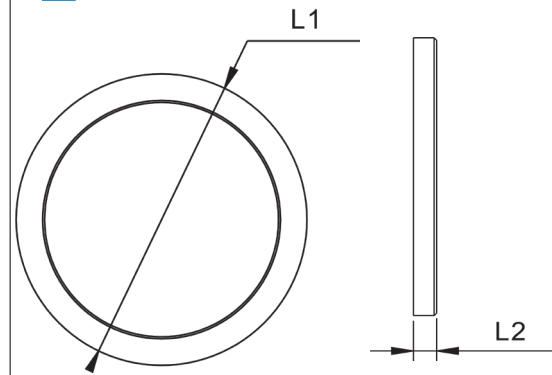
(Trim ring sold separately)



Product Performance Standard

Size	5"/7"/9"/12"	Power Factor	90%
Weight	0.4lb/0.6lb/1lb/1.8lb	Life Span	50,000 Hrs
Mounting	Flush Mount	Dimmable	Triac Dimming
Color Temp	3CCT	Efficacy	Up to 80 lm/W
CRI	80	Warranty	5 Years
Input Voltage	120V	Ambient Operation Temperature	-15C° (-4°F) ~ 40° (104°F)

Dimensions



	10W	15W	18W	24W
L1	5"	7.09"	8.86"	12"
L2	0.71"	0.71"	0.71"	0.71"

Ordering Guide

Example: CSP2-15W7IN3CCT

Fixture Type	Size & Wattage	Color Temp.	Voltage	Finish
CSP2	10W5IN = 10Watt 5 Inch 15W7IN = 15Watt 7 Inch 18W9IN = 18Watt 9 Inch 24W12IN = 24Watt 12 Inch	3CCT = 30/40/50K (Color Temperature Adjustable)	Blank = 120V	Blank = White

CSP2 Series

LED Flush Mount Downlight

Fixture Type:

Project Name:

Location:

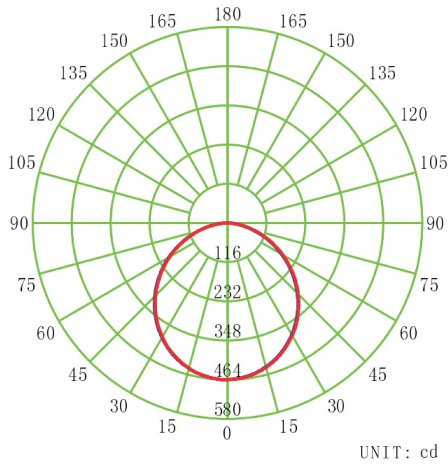
Date:

Product Information

3000K		4000K		5000K		
WATTAGE	LUMEN	EFFICACY	LUMEN	EFFICACY	LUMEN	EFFICACY
10W	750lm	75lm/W	780lm	78lm/W	800lm	80lm/W
15W	1125lm	75lm/W	1170lm	78lm/W	1200lm	80lm/W
18W	1350lm	75lm/W	1404lm	78lm/W	1440lm	80lm/W
24W	1800lm	75lm/W	1872lm	78lm/W	1920lm	80lm/W

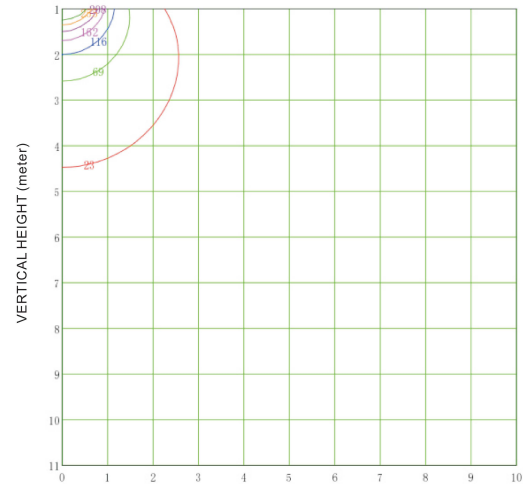
Photometric

LUMINOUS INTENSITY DISTRIBUTION DIAGRAM



— C0-C180 — C90-C270

VERTICAL EQUILUMINOUS CURVE



HORIZONTAL DISTANCE (meter)

MINIMUM ALTITUDE 1.0 M
 MAXIMUM ALTITUDE 11.0 M
 MAXIMUM ILLUMINATION 463.3 lx

- (5%): 23.2 lx
- (15%): 69.5 lx
- (25%): 115.8 lx
- (35%): 162.1 lx
- (45%): 208.5 lx
- (55%): 254.8 lx
- (65%): 301.1 lx