

SPL2 SERIES

FIXTURE TYPE:
 PROJECT NAME:
 LOCATION:
 DATE:

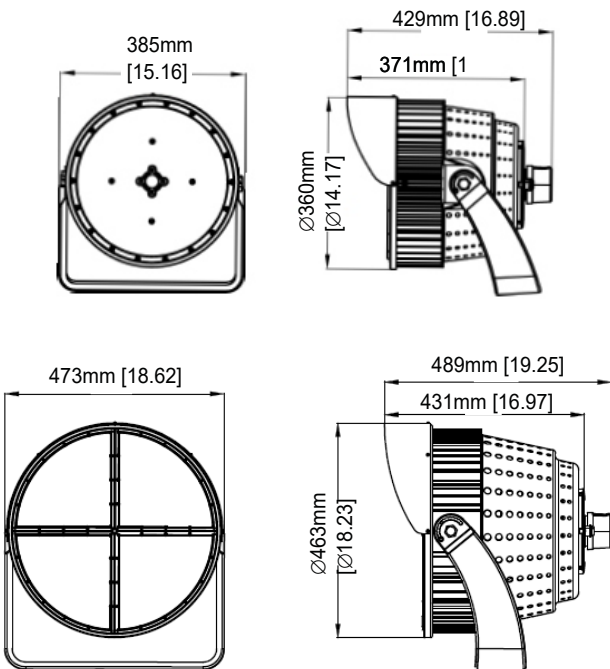


400W/500W/600W



800W/1200W

Dimension



Weight: 400W/500W/600W: 34 LBS
 800W/1200W: 46 LBS

Specification

Housing	Cold forging 1050 aluminum housing
Lens	Polycarbonate lens
Beam angle	30°/45°/60° (400W-500W-600W) 30°/40°/60° (800W) 15°/20°/25°/40°/60°/80° (1200W)
Color Temp	4000K/5000K
CRI	70CRI
Input Voltage	200-480V (600W/800W) 120-277V or 277-480V (1200W)
Installation	Trunnion / slipfitter mount
Efficacy	170lm/W
LED Life Span	50,000 hrs
Dimmable	0-10V dimming
Lumen Package	67,000 lm to 217,500 lm
Warranty	5 Year
Ambient Operation Temperature	Standard -40°C to 55°C
Listing	UL/DLC Premium

Note: DLC Premium: Eligible on 600W and 800W UHV.

SPL2 SERIES

FIXTURE TYPE:
 PROJECT NAME:
 LOCATION:
 DATE:

Features

- SPL2 offer a wide range of wattage options, from 400 Watts to 1,200 Watts, with efficacy of up to 170 lumens per watt.
- Crafted with a robust cold forging aluminum AL 1050 housing, these luminaires are the epitome of cutting edge lighting technology.
- Rugged and weather-tight design ensure unparalleled durability, making them ideal for installation in high vibration areas and extreme environments
- Different beam angle options to achieve the perfect lighting coverage, ensure optimal visibility and performance.
- 10KV surge protection device to avoid early failure due to power surge.
- Comes with an easy adjustable trunion mount designed to fit on in multiple ways.
- The light can be angled up or down depending to focus the action. Optional yoke mount adapter available.
- This product must not be used in conjunction with metal halide lamps. Failures resulting from such use are not covered under warranty.

Ordering Guide

Example: SPL2-500W-50K-45D-UHV

SKU	Wattage	CCT	Beam Angle	Voltage	Optional Accessories
SPL2	400W	40K	30D=30°	UHV =200-480V	YKM (SKU:SPL2-TRSPA) = Yoke mount adapter
	500W	=4000K	40D=40°		
	600W	50K	45D=45°		
	800W	=5000K	60D=60°		
					AL (SKU:SPL-AIMINGLASER) =Green light aiming laser

Note: 30°/45°/60° beam angle suitable for 400W,500W,600W.

30°/40°/60° beam angle suitable for 800W.

HV Ordering Guide Example: SPL2-1200W-50K-45D-HV

SKU	Wattage	CCT	Beam Angle	Voltage	Optional Accessories
SPL2	1200W	40K	15D=15°	Blank =120-277V	YKM (SKU:SPL2-TRSPA) = Yoke mount adapter
		=4000K	20D=20°		
		50K	25D=25°		
		=4000K	30D=30°	HV = 277-480V	AL (SKU:SPL-AIMINGLASER) =Green light aiming laser
			40D=40°		
			45D=45°		
			60D=60°		
	80D=80°				

Note: 15°/20°/25°/40°/60°/80° beam angle suitable for 1200W.

SPL2 SERIES

FIXTURE TYPE:
 PROJECT NAME:
 LOCATION:
 DATE:

Performance Data

		5000K	
WATTAGE	EPA	LUMEN	EFFICACY
400W	0.95ft ²	66,000lm	165lm/W
500W	0.95ft ²	80,000lm	160lm/W
600W	0.95ft ²	93,000lm	140lm/W
800W	1.40ft ²	128,000lm	160lm/W
1200W	1.40ft ²	144,000lm	135lm/W

Optional Accessories



SKU: SPL2-TRSPA

-Yoke mount adapter fit on 2 -3/8" tenon top.



SKU: SPL2-AIMINGLASER

-Green light aiming laser to ensure aiming to achieve the perfect lighting coverage.

FIXTURE TYPE: _____
PROJECT NAME: _____
LOCATION: _____
DATE: _____

Optional Integrated Wireless Control

The fixtures is compatible with Synapse Wireless control system, it offers a smart ,stable,and imaginative lighting control solution to your sports facility. Quoted by project. [Click here for detail information.](#)

