

# SPORT LIGHT

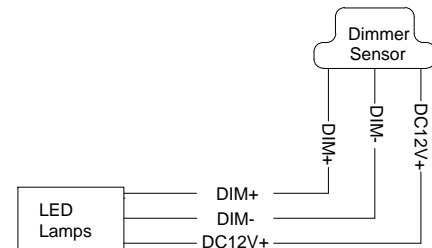
## Installation instructions and use manual



Model	Rated input	Power rated (W)	Lamp size(mm)	Installation Height(M)	Certificates
SPL2-400W-600W	120-480VAC 50/60Hz	300~600	Ø394*390	3~20	UL
SPL2-720W-1200W	120-480VAC 50/60Hz	720-1200	Ø473*370	3~30	UL
SPL2-1500W	120-480VAC 50/60Hz	1500	Ø675*435	3~40	UL

For driver ESD-600S12ADT/Pour le pilote ESD-600S12ADT, Notice:  
This control circuit is not isolated – see installation instructions  
Remarque : Ce circuit de commande n'est pas isolé. Voir les instructions d'installation

1. The voltage of the dimming circuit is 10V maximum
2. The manufacturer's recommendation to assure a cumulative leakage current of less than 3.5mA on the control circuit.
3. Sensor must meet UL773A standard, Dimmer must meet UL1472 standard, can be used with Non-isolation dimmable driver.



This specification does not provide full details of the lighting fixtures or possible differences from the actual products, and all possible contingencies associated with installation, use and maintenance, Please contact us for more details or for special problems other than those listed in this manual.

### 1. Summary

This luminaire is used for outdoor lighting and shall not be used in closed areas with difficult ventilation or high temperature. Best results will be achieved if installed or maintained in accordance with the following recommended methods. The manufacturer has done their best to ensure the safety use or risk-free operation of the product in design and production, provided that the user operates correctly, as well as the symbol accident prevention law (Safe production law) requirements. Users should ensure that the person handling, using and selling the product is fully informed of the information provided by the manufacturer and that they are clearly aware of the necessary security measures.

### 2. Disassembly

In order to avoid any damage case in transportation, please check the luminaire and accessories carefully to ensure there is no damaged, ever we designed a reliable packing. Please don't install the damaged luminaire and accessories, the full product family shall at least include:

- (1) Luminaire;
- (2) Mounting arm;
- (3) Installation Instructions;

### 3. Take attention matters

Please follow the instructions below to use this product, it's a kind of outdoor lighting suitable for highway main or trunk roads, secondary roads, commercial squares, industrial areas, residential areas, parking lots and other outdoor places. Installation height: 3-50m. Diameter of mounting . Adjustable angle: 0°, 10° or 15° (horizontal or vertical).

### 4. Important safety information

**⚠ CAUTION: Risk of Electric Shock**

1. Suitable for damp location.
2. Use in -40~55 degrees environmental conditions.
3. For using with light dimmers, continuous dimming, adjustable to 10% less luminous flux.

5. Read all instructions before installation.

1. This product must be installed in accordance with the application code by a qualified person.

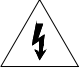
2. Risk of electric shock. Ensure that main power source is off when wiring or soldering the sections of the product.


3. Before installing the product or doing any maintenance, make sure to turn off the power supply at the circuit breaker or fuse box.

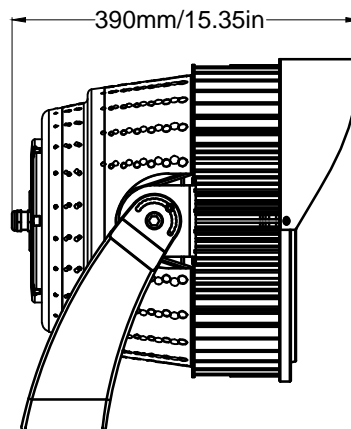
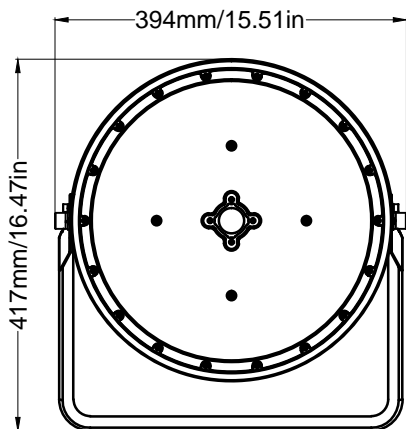
4. Check to make sure that all fixture connections have been properly made and the fixture is grounded to avoid potential electrical shocks.

5. All the dimming circuits are insulated from the output circuit by at least basic insulation in the approved LED drivers. All the dimming circuits are insulated from the LV supply by double/reinforce insulation.

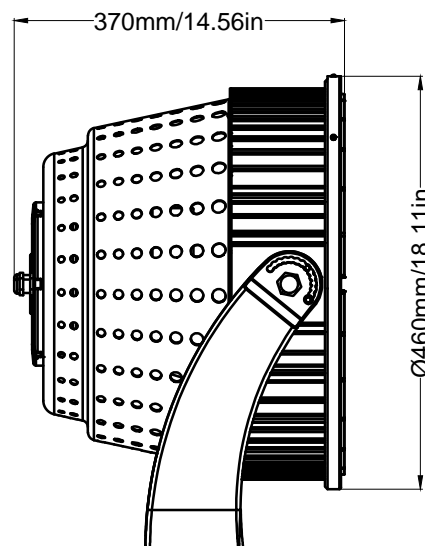
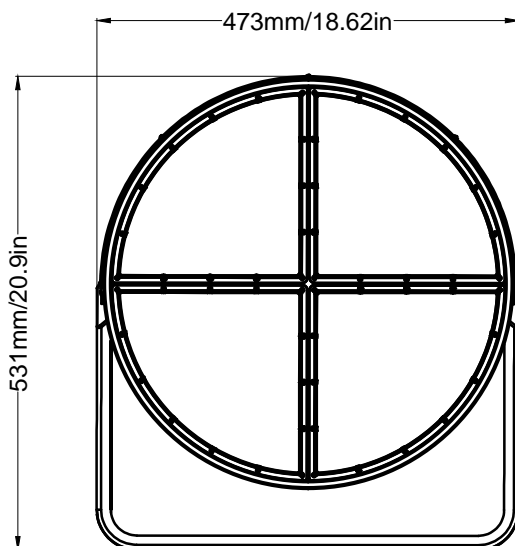
6. If the external cord is broken, it shall be exclusively replaced by our service agent or a similar qualified person in order to avoid a hazard

7.  The light source contained in this luminaire shall only be replaced by our service agent or a similar qualified person

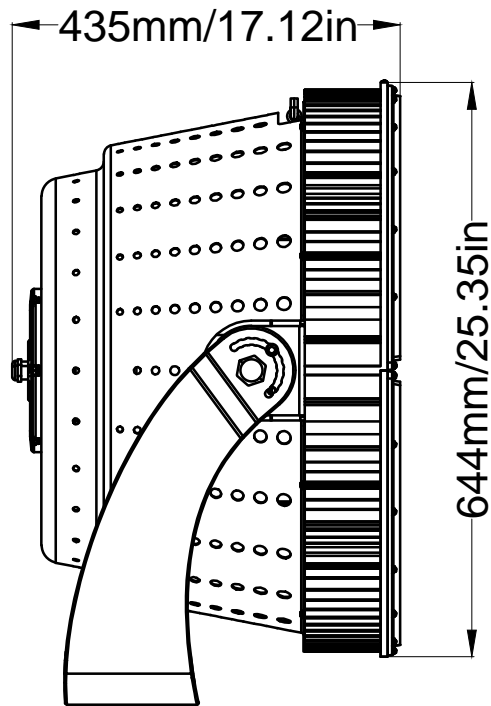
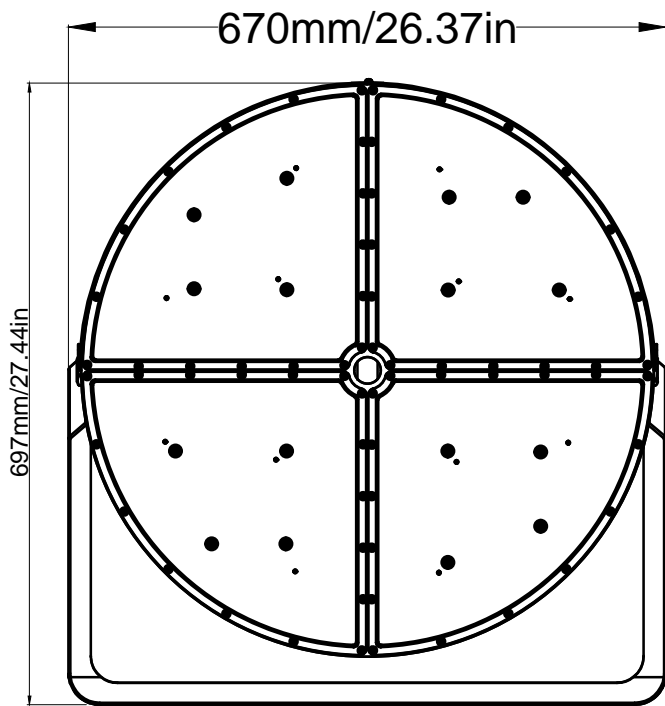
8.  Do not dispose of electrical appliances as unsorted municipal waste, use separate collection facilities. Contact your local government for information regarding the collection systems available. If electrical appliances are disposed of in landfills or dumps, hazardous substances can leak into the groundwater and get into the food chain, damaging your health and well-being.



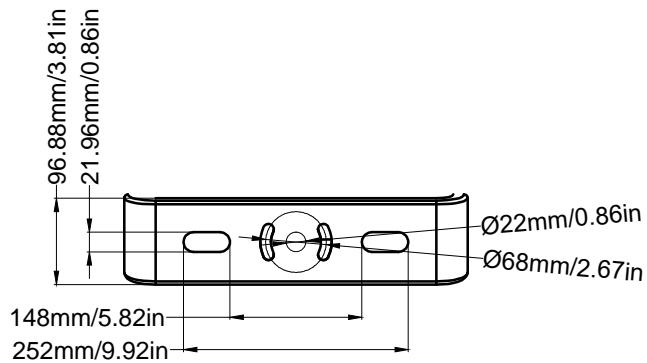
(300-600W)



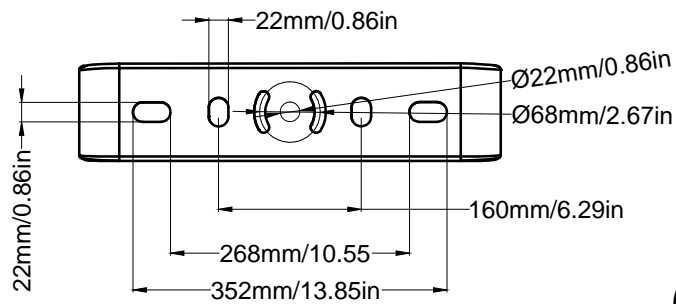
(720-1200W(MAX))



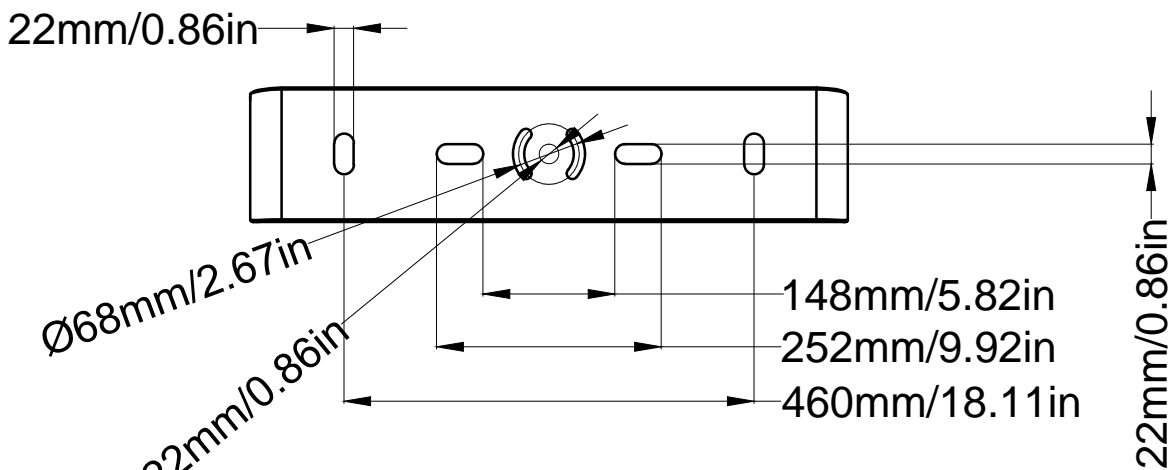
1500W(MAX)



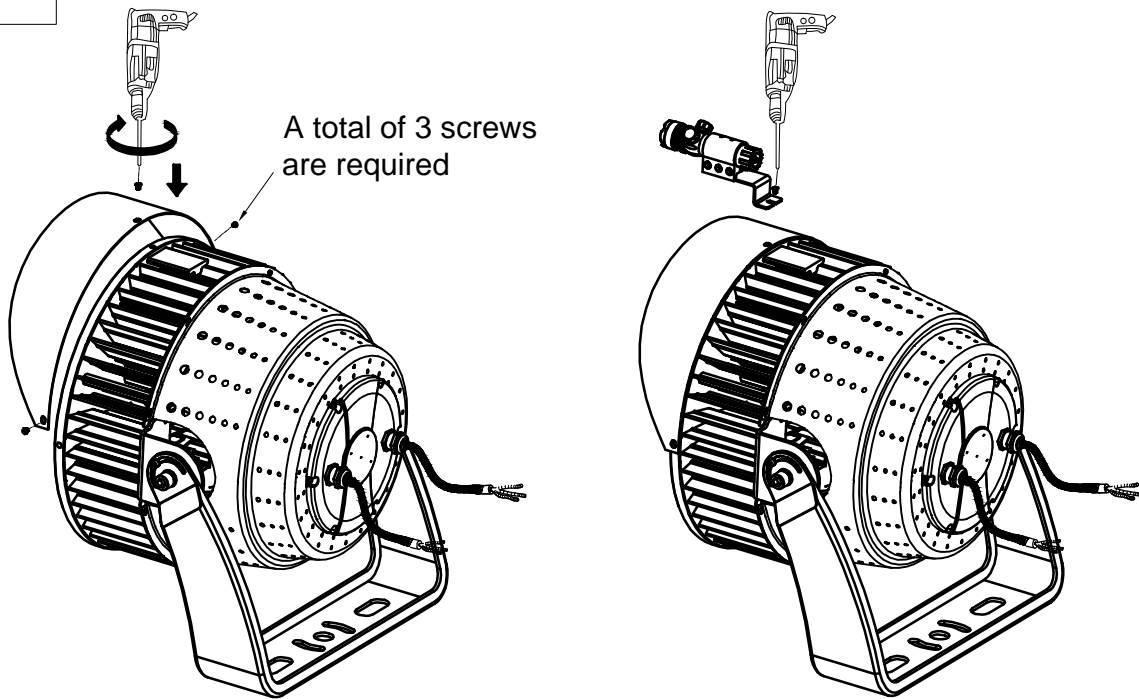
(300-600W)



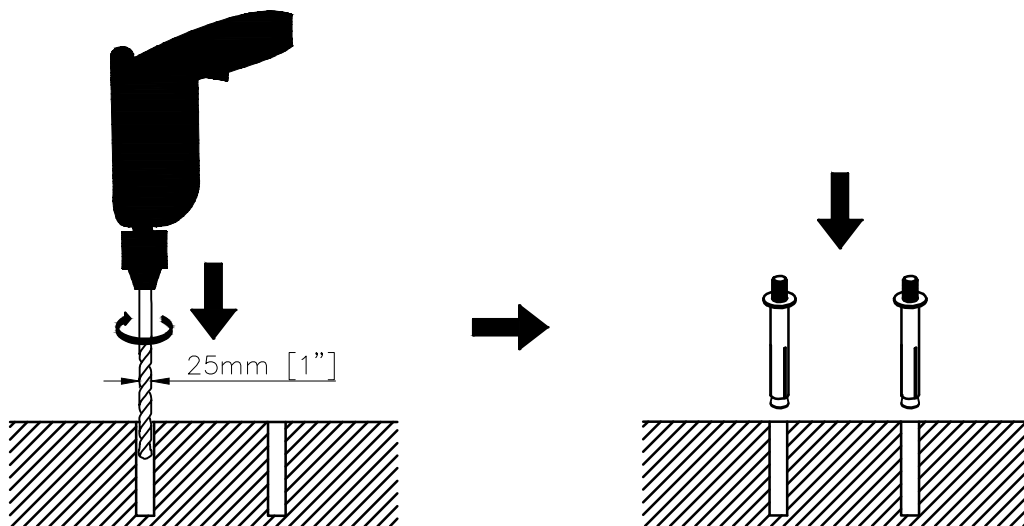
(720-1200W)



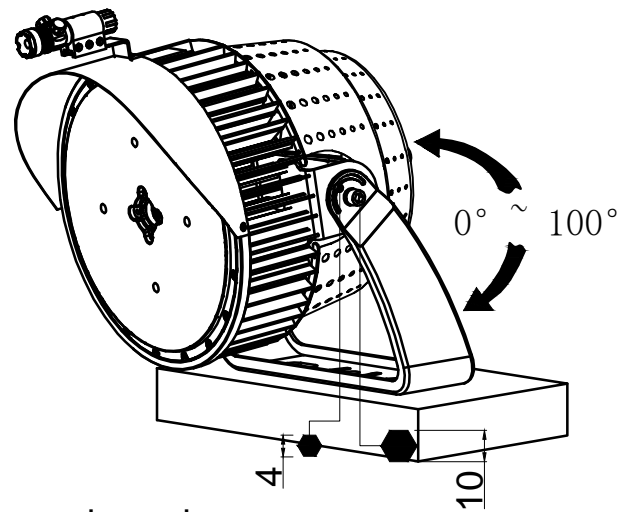
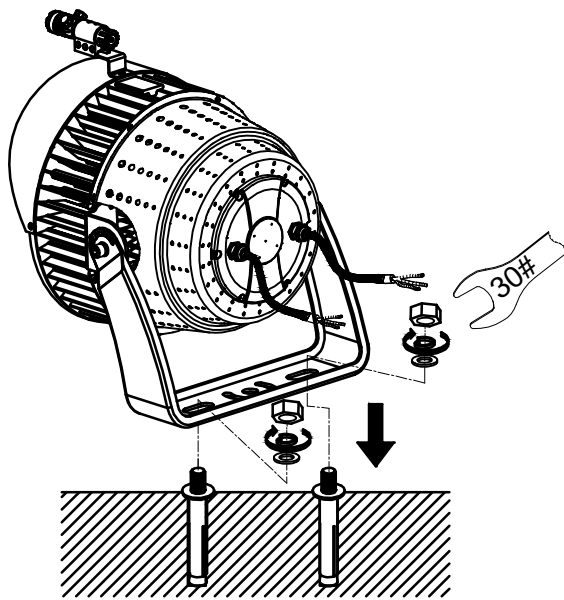
(1500W)



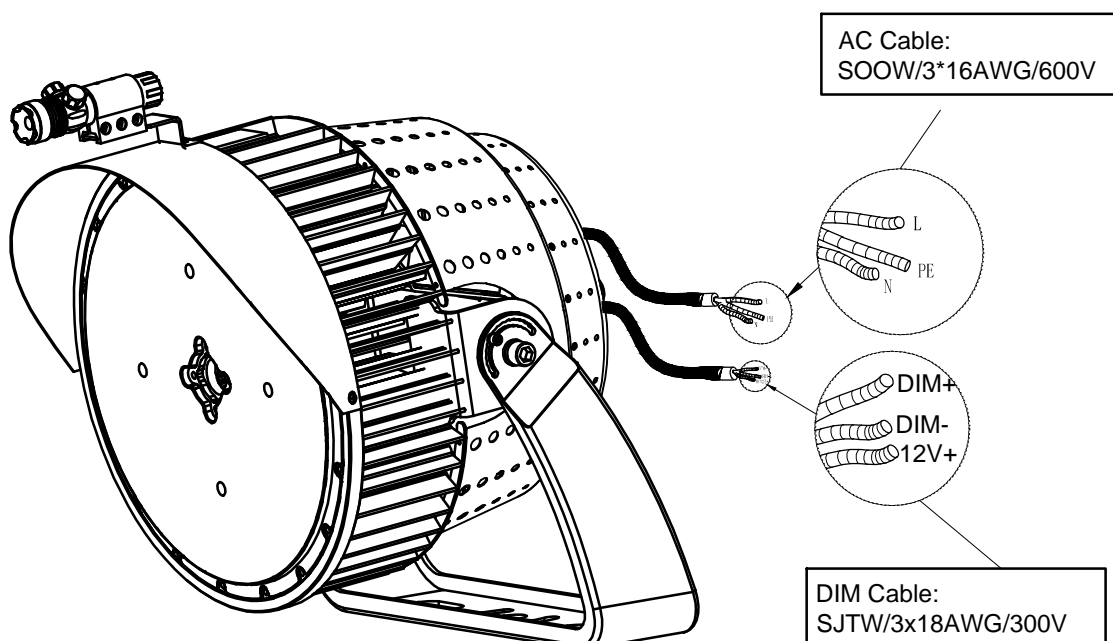
- 1: Take the Visor from the box, align the mounting holes with the luminaire.
- 2: Take the Screw, fit visor ( M4 screw Torque Values 2.5 N.m )

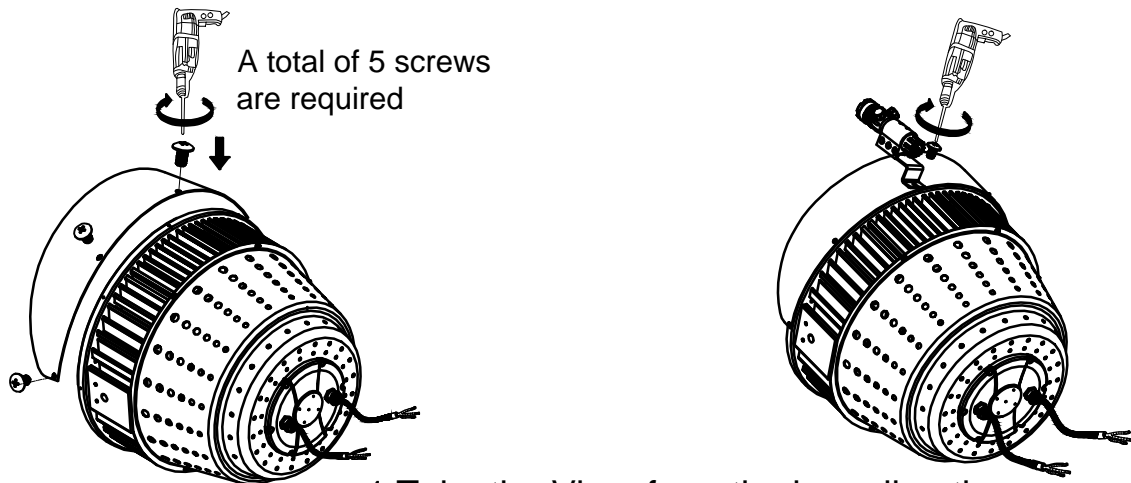


- 1: Drill holes at the marked points with a 25mm diameter electric drill bit.
- 2: Insert the M20 explosive bolt into the hole

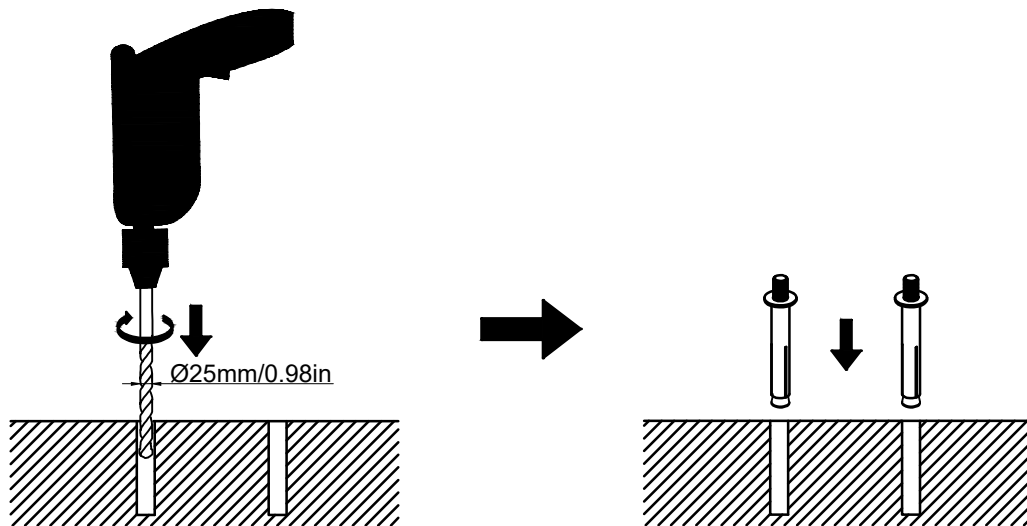


1. Insert the strip holes at the bottom of the u-shaped metal frame of the lamp body into the ground bolts.
2. Ordinal with metal flat washers, spring washers and M20 nut will the lamp body is fixed on the ground.  
(M20 screw Torque Values 200N.m)
3. could be installed with one screw
4. Loosen M12 hexagon head screw with wrench, adjust luminaire to designed angle (0-100°), tighten screws and fix the luminaire (M12 screw Torque Values 29N.m).
5. Take the Screw, fit visor (M5 screw Torque Values 2.5 N.m).

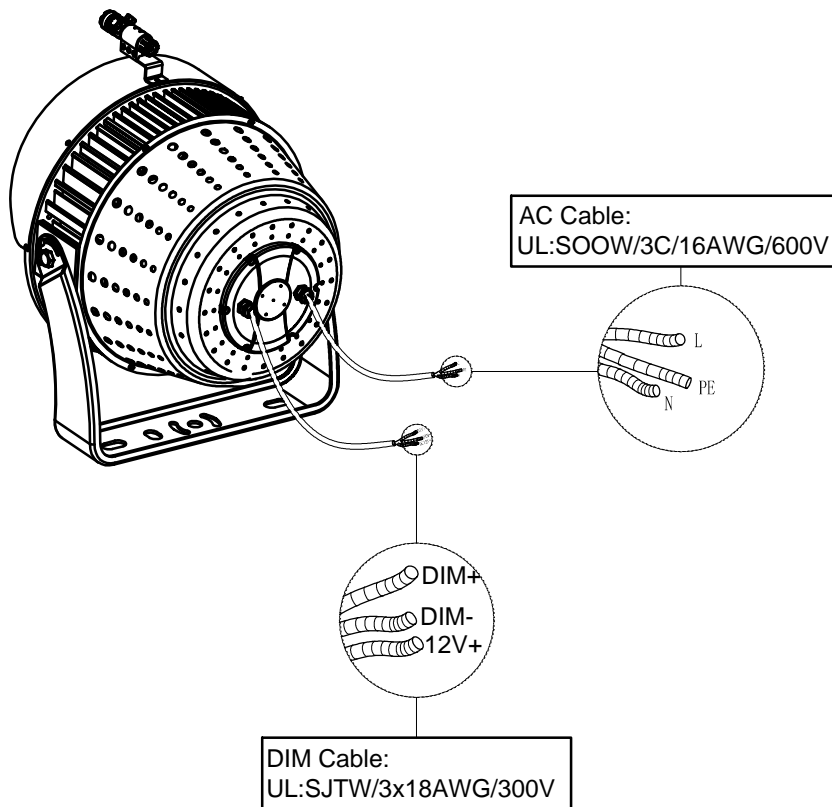
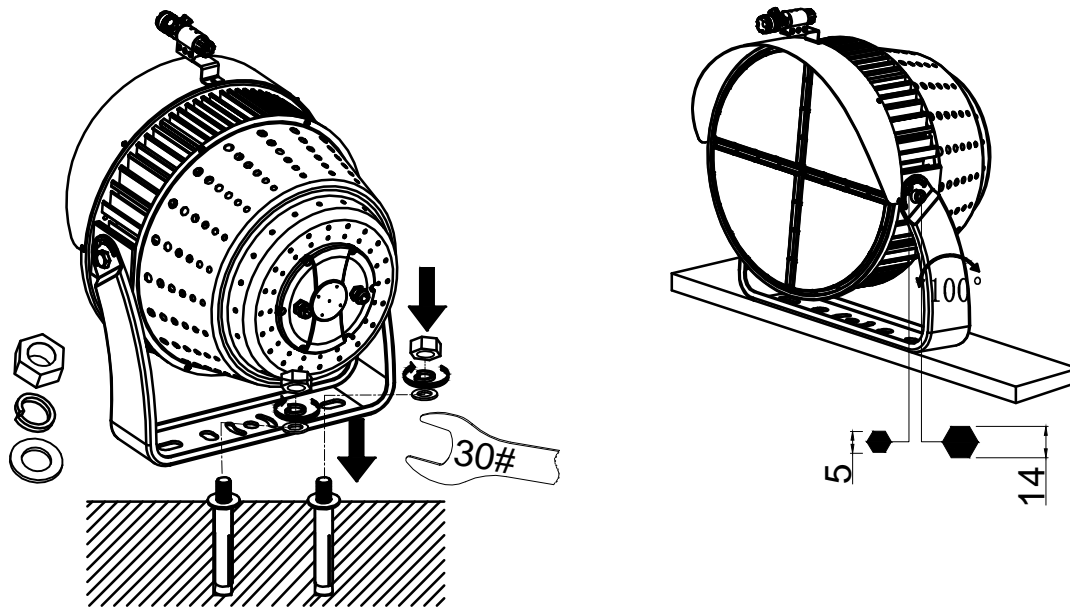




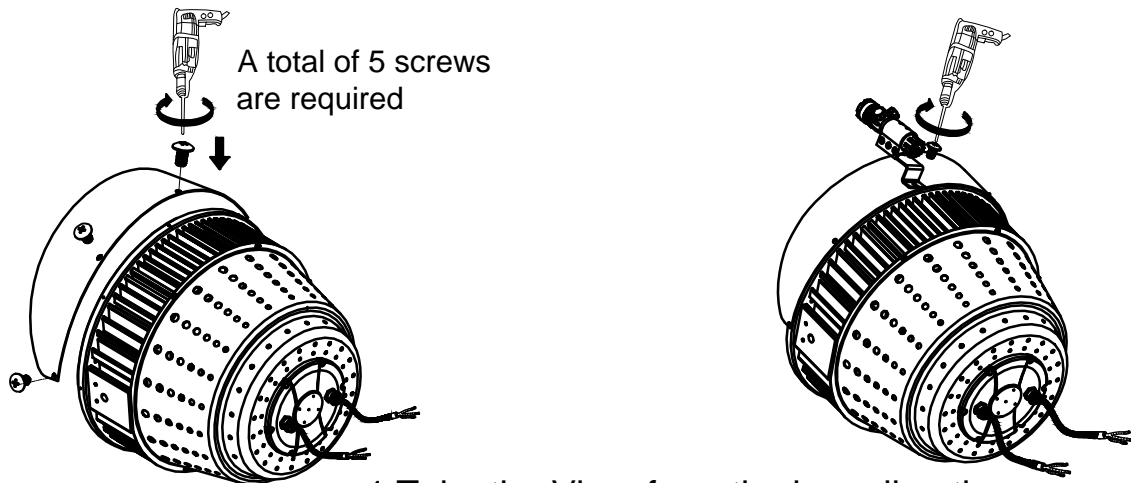
- 1: Take the Visor from the box, align the mounting holes with the luminaire.
- 2: Take the Screw, fit visor ( M4 screw Torque Values 2.5 N.m )



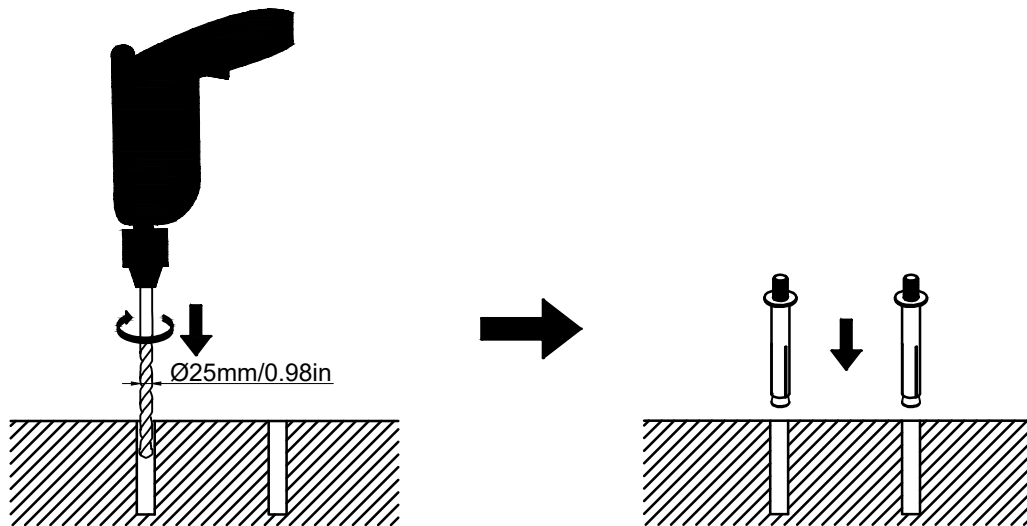
1. Drill holes at the marked points with a 25mm diameter electric drill bit.
2. Insert the M20 explosive bolt into the hole



1. Insert the strip holes at the bottom of the u-shaped metal frame of the lamp body into the ground bolts.
2. Ordinal with metal flat washers, spring washers and M20 nut will the lamp body is fixed on the ground.  
(M20 screw Torque Values 200N.m)
- 3.could be installed with one screw
- 4.Loosen M16 hexagon head screw with wrench,adjust luminaire to designed angle (0-100°), tighten screws and fix the luminaire (M16 screw Torque Values 114N.m ) .
- 5.Take the Screw ,fit visor ( M6 screw Torque Values 3.5 N.m ) .

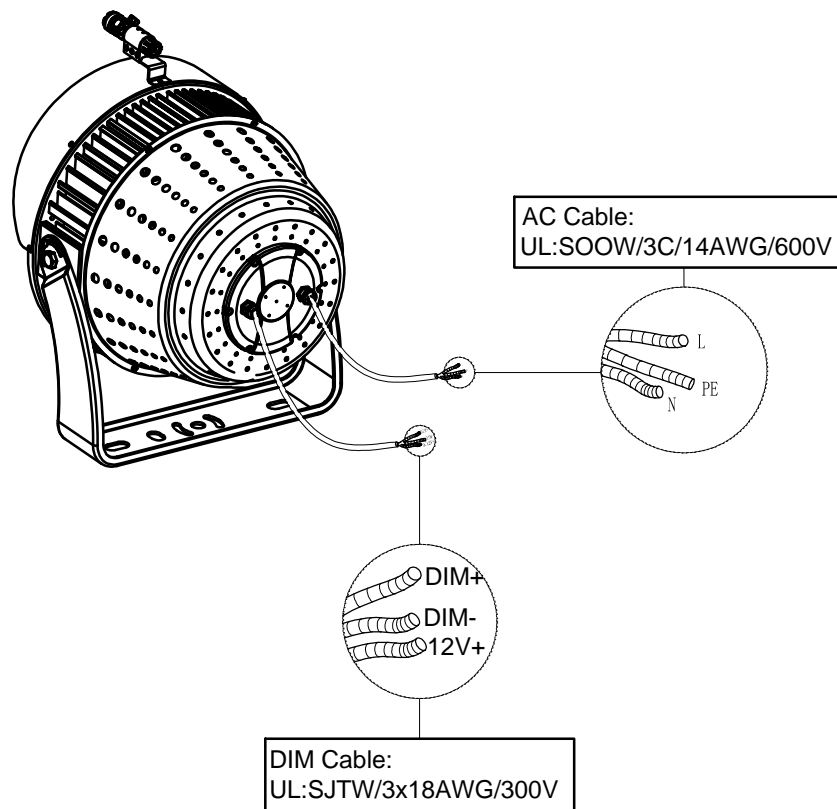
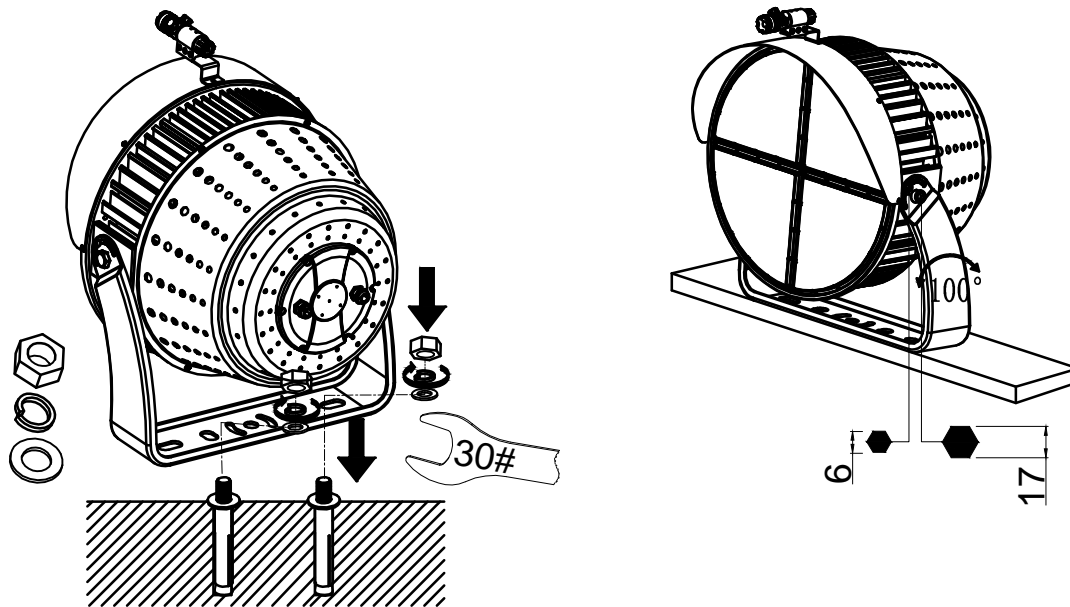


- 1: Take the Visor from the box, align the mounting holes with the luminaire.
- 2: Take the Screw, fit visor ( M4 screw Torque Values 2.5 N.m )



1. Drill holes at the marked points with a 25mm diameter electric drill bit.
2. Insert the M20 explosive bolt into the hole





1. Insert the strip holes at the bottom of the u-shaped metal frame of the lamp body into the ground bolts.
2. Ordinal with metal flat washers, spring washers and M20 nut will the lamp body is fixed on the ground.  
(M20 screw Torque Values 200N.m)
- 3.could be installed with one screw
- 4.Loosen M16 hexagon head screw with wrench,adjust luminaire to designed angle (0-100°), tighten screws and fix the luminaire (M20 screw Torque Values 114N.m ) .
- 5.Take the Screw ,fit visor ( M6 screw Torque Values 3.5 N.m ) .